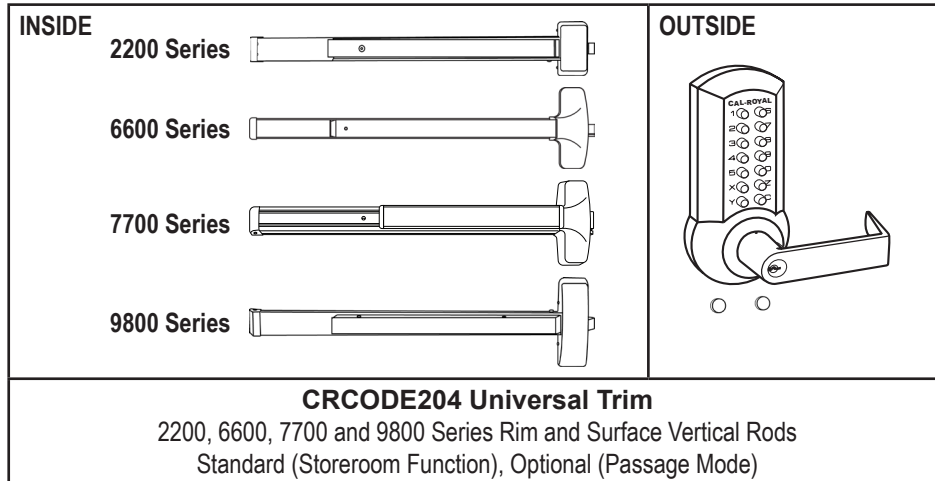
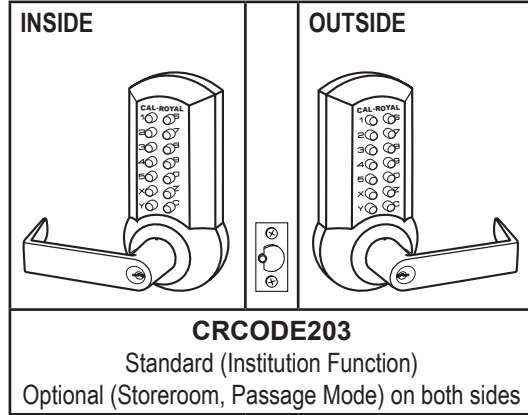
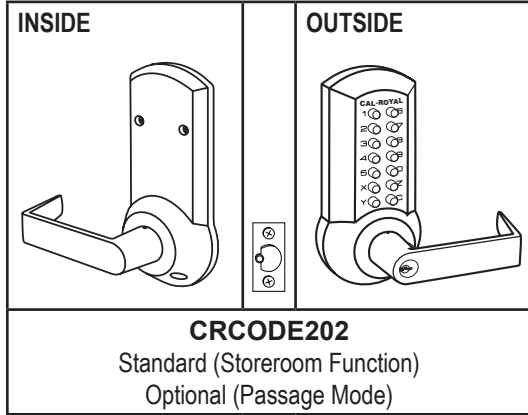


CRCODE200 Series *List Price*

GRADE 2, MECHANICAL STAND ALONE PUSH BUTTON LOCK AND EXIT DEVICE TRIM WITH **BREAKAWAY LEVER FEATURE**



FUNCTION	ITEM #	FINISH	PCS / MC
Mechanical Easy Code Change Lock with 2 3/4" backset latchbolt Door Thickness: 1 3/8" - 2 1/4"	CRCODE202	US26D, US10B	8
Double Coded Easy Code Change Lock with 2 3/4" backset latchbolt Door Thickness: 1 3/8" - 1 3/4"	CRCODE203		8
Mechanical Easy Code Change Exit Trim for 2200, 6600, 7700 and 9800 Series Exit Devices Door Thickness: 1 3/4" - 2"	CRCODE204		8
ACCESSORIES			
CRCODE200 Series Dead latch 2 3/8" 2 1/4" x 1" Faceplate (for CRCODE-202 and 203)	CRSLD	US26D	1
Easy Code Change Key	EZCHKEY		1

► For Keying charges see page L131.