


CRCODE200 SERIES

GRADE 2 MECHANICAL STAND ALONE PUSH BUTTON LOCK AND EXIT DEVICE TRIM WITH **BREAKAWAY LEVER FEATURE**

 Meets ADA requirements
Specially designed for
Barrier Free Application
Conforms with ANSI / BHMA A156.2,
Series 4000, Grade 2 Requirements

- ✓ EASY INSTALLATION COVERS 161 PREP (2 1/8" HOLE)
- ✓ 1 - 12 DIGIT CODE
- ✓ SINGLE CODE USER
- ✓ KEY OVERRIDE
- ✓ EASY ON-THE-DOOR CODE CHANGE WITHOUT REMOVING THE LOCK
- ✓ CODE-FREE OPTION (PASSAGE)
- ✓ BREAKAWAY LEVER DESIGN
- ✓ CLUTCH-FREE MECHANISM
- ✓ WEATHER RESISTANT
- ✓ NON-HANDED
- ✓ MORE THAN 8000 NON-SEQUENTIAL POSSIBLE CODE COMBINATIONS
- ✓ APPLICATIONS:
OFFICES, SCHOOLS, HOSPITALS,
APARTMENTS, HOTELS / MOTELS,
RESIDENTIAL, COMMERCIAL
AND PUBLIC BUILDINGS



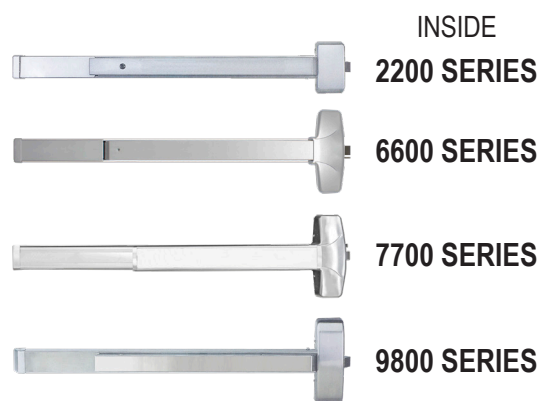
CRCODE202
Standard (Storeroom Function)
Optional (Passage Mode)



CRCODE203
Standard (Institution Function)
Optional (Storeroom, Passage Mode on both sides)



CRCODE204 Universal Trim
2200, 6600, 7700 and 9800 Series Rim and Surface Vertical Rods
Standard (Storeroom Function) Optional (Passage Mode)



SPECIFICATIONS

GENERAL

Full length 5 1/2" lever handle with 7/8" return. Escutcheon dimension 3 1/2" x 8 1/8". Key removable outside lever for all models for fast re-keying. Non-handed levers. 2 1/8" diameter bore.

BREAKAWAY LEVER DESIGN

Lever will stay at the 5 o'clock position when forced down without retracting the latch, to prevent breaking of handle.

DOOR RANGES

1 3/8" - 2 1/4" for CRCODE202, 1 3/8" - 1 3/4" for CRCODE203, 1 3/4" - 2" for CRCODE204

ANSI STANDARDS

Meets or exceeds ANSI A 156.2, Series 4000 Grade 2 requirements.

LATCH FACEPLATE

Standard 2 1/4" x 1 1/8" for 2 3/4" backset for CRCODE202 and CRCODE203 only.

STRIKES

ASA 1 1/4" x 4 7/8" standard for CRCODE202 and CRCODE203 only. Other strikes available upon request. Strikes for CRCODE204 comes standard with exit device ordered.

CYLINDER & KEYWAYS

6 pin solid brass "C" keyway standard. Schlage E, Schlage C-K, Russwin D1-2-3-4, Corbin 59 / 60, Corbin-Russwin L4, Sargent LA-LB-LC, Falcon / Weiser E, Arrow A, Yale 8, Yale GA and Kwikset. Can also accept Medeco, Assa, Kaba and Cal-Royal (HSK) High Security Cylinders.

TRIM

Thru-bolted assembly through door with separate spring cage for each lever.

LATCH OPTIONS

2 3/4" standard, brass with 1/2" throw (with optional 2 3/8" backset, 2 1/4" x 1" faceplate) for CRCODE202 and CRCODE203.

Note: CRCODE202 and CRCODE203 for Non-Fire Application Only.

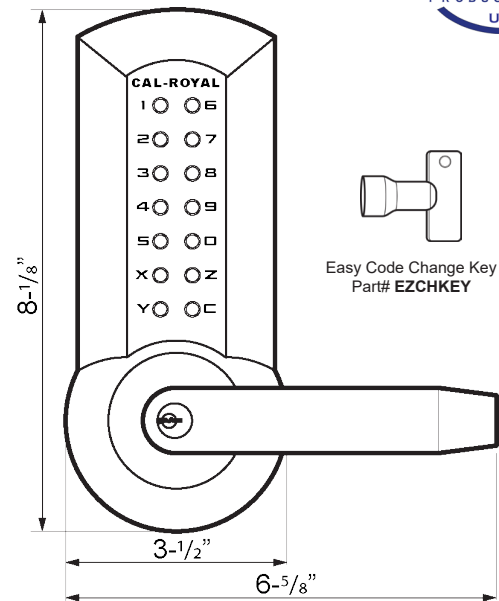
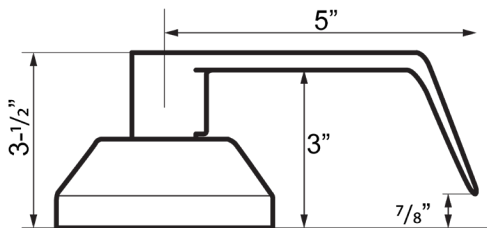
CRCODE200 SERIES

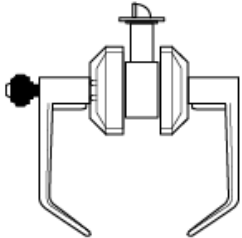
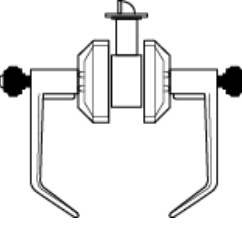
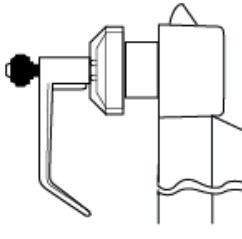
FINISHES, FUNCTIONS & FEATURES



FINISHES AVAILABLE		
BHMA SYMBOL	US CODE	DESCRIPTION
626	US26D	Satin Chrome
613	US10B	Oil Rubbed Bronze

Refer to price list for stock finishes and availability



FUNCTIONS	
<p>CRCODE202</p>  <p>Latch bolt operated by lever from either side, except outside has to enter a pre-programmed code on the keypad in order to retract the latch upon turning the lever.</p> <p>Default Function: Storeroom Optional Function: Passage Mode Door Thickness: 1 3/8" - 2 1/4"</p>	
<p>CRCODE203</p>  <p>Latch bolt operated by lever from either side by entering a pre-programmed code on the keypad in order to retract the latch upon turning the lever. Both lever always locked, unless one or both sides are set to passage mode. If one side is set to passage, function can be storeroom. If both sides are set to code-free, function becomes passage.</p> <p>Default Function: Institution Optional Functions: Storeroom, Passage Mode Door Thickness: 1 3/8" - 1 3/4"</p>	
<p>CRCODE204</p>  <p>Operated by lever from outside and when push pad is depressed, except outside has to enter a pre-programmed code on the keypad in order to retract the latch upon turning the lever. For use with 2200, 6600, 7700 and 9800 Series Rim and Surface Vertical Rods.</p> <p>Universal Trim Default Function: Storeroom Optional Function: Passage Mode Door Thickness: 1 3/4" - 2"</p>	

FEATURES

- ✔ **SINGLE CODE USER**

Only one code combination chosen from thousands of combinations can be set at a time to deter code breakers. Code length is from 1 to 12 digits, and can be permuted with a non-repeating digit up to over 5000 combinations.
- ✔ **EASY ON-DOOR CODE CHANGE**

Code can be changed without removing the lock from the door and using only a "code change" key.
- ✔ **1-12 DIGIT CODE**

An entry code can be a combination of 1 to 12 digits long. The digits can be entered in any order. For example, if the chosen 6-digit code is "5283XZ" it can be entered as "ZX3825" or "3X8Z25" or in any other combination of the 6-digit code.
- ✔ **BREAKAWAY LEVER DESIGN**

Lever will stay at the 5 o'clock position when forced down without retracting the latch, to prevent breaking of handle and giving the impression of the handle being broken to discourage or scare off vandals.
- ✔ **CODE-FREE OPTION (PASSAGE MODE)**

Once enabled, the lock remains unlocked until disable PASSAGE MODE is initiated. (For CRCODE203, inside and outside locks must be set)
- ✔ **WEATHER RESISTANT**

Can resist above or below normal weather conditions without compromising security.
- ✔ **NON-HANDED**

Easily field reversible handing.