

CIL SERIES
CONTEMPORARY
INTERCONNECTED LOCKS
OPTIONAL 4" or 5 1/2" CTC BORE
ANSI A156.12 GRADE 2



LIFETIME WARRANTY

MEETS
The Buy American Act



Meets ADA requirements
Specially designed for Barrier Free Application
Conforms with ANSI A156.12 Series 5000, Grade 2
Exceeds 400,000 cycles

1" (25mm) Throw. Adjustable
2 3/8" - 2 3/4" deadbolt latch
with concealed hardened
steel roller

Standard 2 1/4" x 1".
Packed with plastic filler
to convert 1" face plate to
1 1/8" wide door preparations

1/2" (13mm) Throw universal
deadlatch reversible RH / LH,
adjustable front for flat or
beveled doors. UL Listed
3 Hour Rated

Precision solid brass
6-pin "C" keyway.
Available with SFIC on
deadbolt and lever, or

SFIC or LFIC on deadbolt only



4" or 5 1/2"
CTC



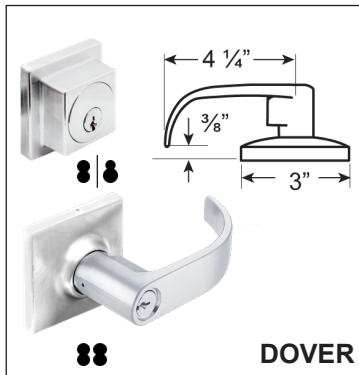
Unique individual spring on
exterior and interior side of
lever to prevent lever sag



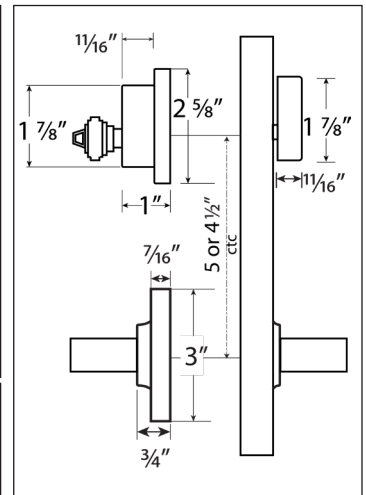
SG



MANHATTAN

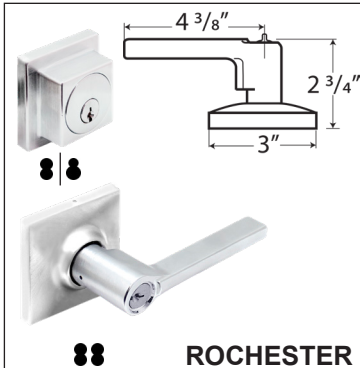


DOVER

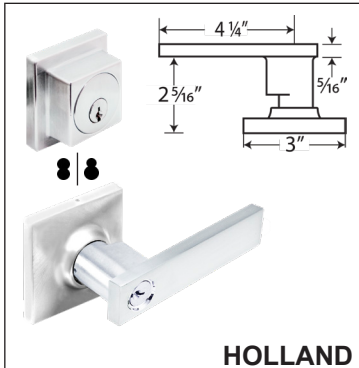


IC CORE OPTIONS

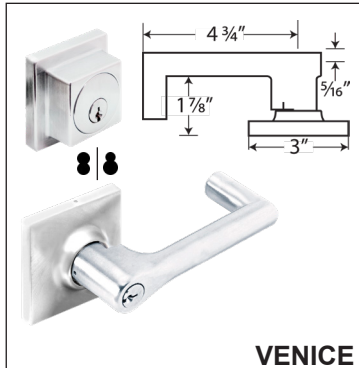
- Available with SFIC on deadbolt only
- Available with SFIC on deadbolt and lever
- Available with Schlage LFIC on deadbolt only



ROCHESTER



HOLLAND



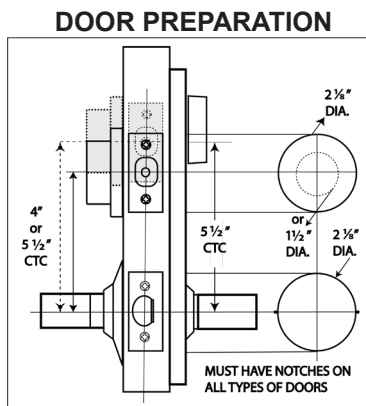
VENICE

CIL SERIES FINISHES, FUNCTIONS AND SPECIFICATIONS

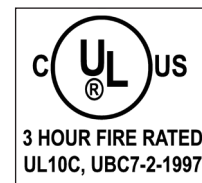


FINISHES AVAILABLE		
BHMA SYMBOL	US CODE	DESCRIPTION
622	US1	Flat Black Coated
605	US3	Polished Brass
613	US10B	Oil Rubbed Bronze
619	US15	Satin Nickel
626	US26D	Satin Chrome

Refer to price list for stock finishes and functions



LIFETIME WARRANTY



SPECIFICATIONS

GENERAL SPECIFICATIONS: Simultaneous retraction on both latch and deadbolts from inside by turning the lever in a panic-proof exit situation. Top lock is heavy duty deadbolt with the bottom lock having a cylindrical body. High security with a double locking point using the keyed lock function.

ANSI STANDARDS: Meet ANSI A156.12 Series 5000 Grade 2 Requirements.

CYLINDER & KEYWAY: 6-pin solid brass "C" keyway, Schlage E, Schlage C-K, Russwin D1-2-3-4, Corbin 59 / 60, Sargent LA-LB-LC, Falcon / Weiser E, Arrow A, Yale 8, Yale GA and Kwikset. Can also accept Medeco, Assa, Kaba and Cal-Royal (HSK) High security Cylinders.

SMALL FORMAT INTERCHANGEABLE CORE: Interchangeable Core Locks will accept compatible 6 or 7 pin cores with **BEST, FALCON & ARROW**. Prefix "**IC**" before part number. Available combined or uncombined. Temporary construction cores and factory keying with control key & master key available.

LARGE FORMAT INTERCHANGEABLE CORE: Interchangeable Core Locks for **SCHLAGE**. Prefix "**ICSC**" before part number, on deadbolt only.

HOUSING: Steel and Zinc dichromate finish for rust resistance.

STRIKES: Standard "T" strike furnished with lockset. 2 3/4" x 1 1/8" square strike with deadbolt.

ESCUTCHEON: 9 9/16" x 3 1/8" brass plated. Packed with interior escutcheon. Optional external escutcheon available.

FUNCTIONS: Entrance (Double Locking), Classroom, Storeroom and Dummy available upon request.

DEADBOLT: 1" Throw. **UL-Listed** Adjustable 2 3/4" or 2 5/8" Brass with hardened steel pin. Standard 2 1/4" x 1" face plate, packed with 1/8" plastic filler for 1 1/8" door preparations..

LATCH BOLT: 1/2" Throw. **UL-Listed** for 3 hour doors. 2 3/4" standard backset with 2 3/8" optional.

LATCH FACEPLATE: Standard 2 1/4" x 1" face plate, packed with 1/8" plastic filler for 1 1/8" door preparations.

DOOR RANGE: 1 3/8" – 1 3/4" door thickness

TRIM: SG, DOVER, MANHATTAN, ROCHESTER, HOLLAND and VENICE designs. Refer to picture in front page.

HOW TO ORDER:

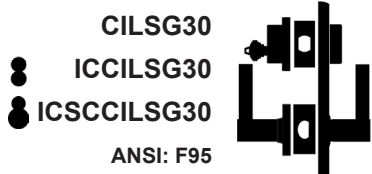
For "DOV", "MAN", "ROC", "HOL", "VEN" designs, replace "SG" with design name.

Example: CILSG00 US26D in DOV design is CILDOV00 US26D

- Available with Small Format Interchangeable Core on **Deadbolt** only (Lever Passage)
- Available with Large Format Interchangeable Core on **Deadbolt** only (Lever Passage)
- Available with Small Format Interchangeable Core on **Deadbolt and Lever** (Entrance)

SINGLE LOCKING, ENTRANCE (PASSAGE LEVER)

Deadbolt thrown or retracted by key in upper lock from outside or by inside turn unit. Latch bolt retracted by lever from either side. Lever retracts deadbolt and latch bolt simultaneously for immediate exit.



DOUBLE LOCKING, ENTRANCE (ENTRANCE LEVER)

Deadbolt thrown or retracted by key in upper lock from outside or by inside turn unit. Dead latch retracted by key in outer when locked by pushing turn button in inner lever. Outer lever may be fixed in locked position by rotating turn button. Turning inside lever retracts deadbolt and latch bolt simultaneously for immediate exit.

