

COMMANDER

CLUTCH MECHANISM

OPTIONAL THRU BOLT INSTALLATION

Interchangeable Core for SCHLAGE,
SARGENT, CORBIN / RUSSWIN, & YALE

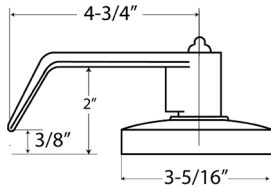


LIFETIME WARRANTY

MEETS
The Buy American Act



Meets ADA requirements
Specially designed for Barrier Free Application
Conforms with ANSI / BHMA A156.2, Series 4000,
Grade 2 Requirements, Exceeds 400,000 Cycles



COM DESIGN

CLUTCH

Free turning handle in the locked position, without retracting the latch to help prevent breaking of handle



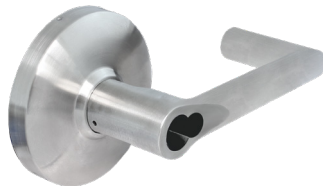
2-SPA DESIGN



2-AT DESIGN

****YALE LFIC ONLY AVAILABLE IN 2-AT & 2-SPA LEVER DESIGNS**

****SARGENT & CORBIN / RUSSWIN LFIC ONLY AVAILABLE IN 2-AT, 2-SPA, 2-AUG, 2-DAN, 2-LON, & 2-TAC LEVER DESIGNS**



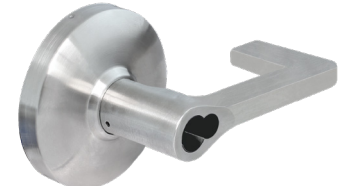
2-AUG DESIGN



2-DAN DESIGN



2-LON DESIGN



2-TAC DESIGN

SPECIFICATIONS

APPLICATIONS

For offices, schools, hospitals, apartments, hotel / motel, residential, commercial and public buildings.

DOOR RANGES

1 3/8" to 1 3/4" thickness doors.

BACKSET

2 3/4" Standard, 2 3/8", 3 3/4" and 5" optional.

LATCH FACEPLATE

2 1/4" x 1 1/8", adjustable for flat or beveled doors 1/8" in 2", for 2 3/4" backset. Optional 2 1/4" x 1" for 2 3/8" backset.

EXPOSED TRIM

Wrought brass, bronze or stainless steel, levers are Zinc casting, plated to match trim finish.

STRIKES

ASA strike standard, "T" and full lip strike available on request.

LATCH BOLT

1/2" Throw solid brass, reversible for RH or LH applications. UL Listed.

ANSI STANDARDS

Meets or exceeds requirements of BHMA / ANSI A156.2 Series 4000, Grade 2 (FF-H 106C), 400,000 cycles.

TACTILE & LEAD LINING available upon request.

LARGE FORMAT INTERCHANGEABLE CORE (IC)

Interchangeable Core locks will accept compatible:

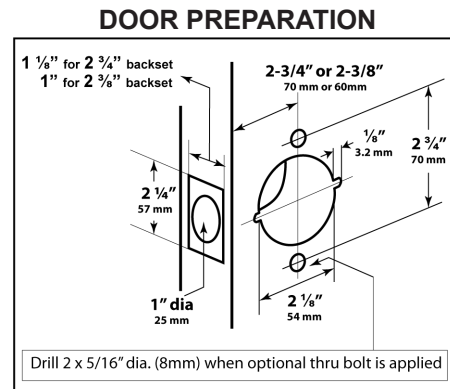
- 6 pin cores **SCHLAGE** large format cylinders in all seven lever designs: **COM, 2-AT, 2-SPA, 2-AUG, 2-DAN, 2-LON, and 2-TAC**
- 6 or 7 pin cores **CORBIN / RUSSWIN**, and 6 pin cores with **SARGENT**, in **2-AT, 2-SPA, 2-AUG, 2-DAN, 2-LON, and 2-TAC** designs only.
- 6 pin cores **YALE** large format cylinders in **2-AT, and 2-SPA** lever designs only.
- and compatible **Schlage 6-pin** Interchangeable Core. Interchangeable Core offered by Cal-Royal. *See reverse page.*

COMMANDER SERIES FINISHES AND FUNCTIONS



| FINISHES AVAILABLE | | |
|--------------------|---------|-------------------|
| BHMA SYMBOL | US CODE | DESCRIPTION |
| 605 | US3 | Polished Brass |
| 606 | US4 | Satin Brass |
| 609 | US5 | Antique Brass |
| 612 | US10 | Satin Bronze |
| 613 | US10B | Oil Rubbed Bronze |
| 619 | US15 | Satin Nickel |
| 625 | US26 | Polished Chrome |
| 626 | US26D | Satin Chrome |

Refer to price list for stock finishes and functions



HOW TO ORDER SCHLAGE LFIC

Design:
**ICCOM (for COM lever in Schlage LFIC)
2-SPA / 2-AT / 2-AUG / 2-DAN / 2-LON / 2-TAC

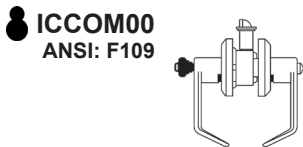
- Replace "ICCOM" with "ICSC"
- Add: DESIGN + FUNCTION + FINISH when ordering.
- Example: ICCOM00 US26D in "2-SPA" design, Entrance function with US26D finish will be: **"ICSC2-SPA00 US26D"**

HOW TO ORDER CORBIN / RUSSWIN, SARGENT, YALE LFIC

Keyway: RUSIC / SARIC / YALIC **Design:**
RUSIC - Corbin / Russwin Large Format IC 2-SPA / 2-AT / 2-AUG /
SARIC - Sargent Large Format IC 2-DAN / 2-LON / 2-TAC
YALIC - Yale Large Format IC

****Note: Yale LFIC is only available in 2-AT, & 2-SPA lever designs**

- Specify: Replace "ICCOM" with specified KEYWAY,
- Add: DESIGN + FUNCTION + FINISH when ordering.
- Example: "ICCOM00 US26D with Corbin/Russwin Keyway, in "2-SPA" design, Entrance function with US26D finish will be: **"RUSIC2-SPA00 US26D"**



ICCOM00
ANSI: F109

ENTRANCE / OFFICE LOCK

Turn / Push button locking. Pushing and turning button locks outside lever requiring use of key until button is manually unlocked. Pushing button locks outside lever until unlocked with key or inside lever is turned.



ICCOM03
ANSI: F84

CLASSROOM LOCK

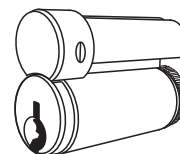
Dead locking latch bolt operated by lever from either side except when outside lever is locked from outside by key. When outside lever is locked, latch bolt is operated by turning inside lever.



ICCOM05
ANSI: F86

STOREROOM LOCK

Dead locking latch bolt operated by key in outside lever or by rotating inside lever. Outside lever is always fixed.



Large Format 6 Pin Interchangeable Cores compatible to SCHLAGE 6 Pin Interchangeable Core

| ITEM # | DESCRIPTION |
|-----------------|--|
| 3000ICC | 6 Pin "C" keyway combined SCHLAGE large format IC core cylinder KA# 111111 with "C" key blanks |
| 4000ICCK | 6 Pin "C-K" keyway combined SCHLAGE large format IC core cylinder KA# 111111 with "E" key blanks |
| 5000ICE | 6 Pin "E" Keyway combined SCHLAGE large format IC core cylinder KA# 111111 with "E" key blanks |
| 1000ICC | 6 Pin "C" Keyway combined SCHLAGE large format IC core cylinder KD and MK |
| 2000ICCC | Temporary Construction Cores (Keyed alike) |

Available Finishes: US3, US26D

(IC) Accepts Schlage Full Size Format OEM IC Core Cylinders with Interchangeable Core for **COM design only**.

(IC) Indicates function available with SCHLAGE, CORBIN / RUSSWIN, SARGENT and YALE Interchangeable Core.

OTHER FUNCTIONS NOT LISTED AVAILABLE UPON REQUEST.