

**IND84 INDICATOR DEADBOLTS**  
FOR COMMERCIAL AND RESIDENTIAL APPLICATIONS

Conforms with ANSI  
A156.36, Grade 3  
Exceeds 100,000 cycles

ADA Ergonomic thumb turn

Latch front adapter to  
convert 1" face plate to 1 1/8"  
wide door preparations

Throw 1" (25mm)  
Solid Brass with  
anti-saw pin

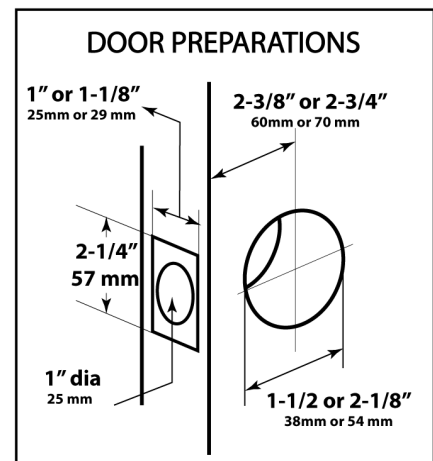
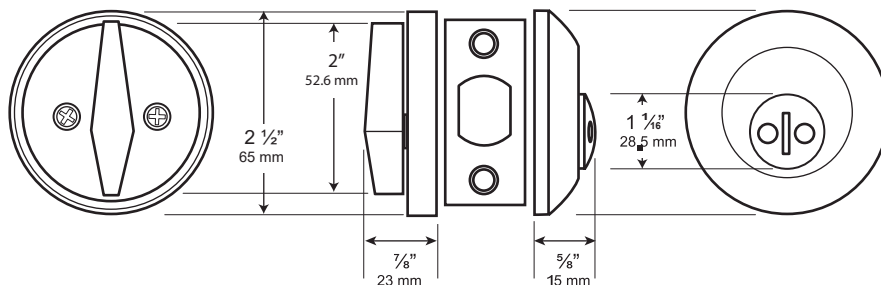
Sturdy, all steel latch case  
and mechanism

2 1/2" diameter Brass Plate

Red (Locked) and  
Green (Unlocked)  
Indicator

Coin edge slot for  
emergency opening

Deadbolt adjustable 2 3/8" - 2 3/4"



**SPECIFICATIONS**

**TRIM**

Wrought Brass or Stainless Steel.

**DOOR RANGES**

Adjustable 1 3/8" (35mm) to 1 3/4" (45mm) door thickness.

**BACKSET**

Adjustable 2 3/8" or 2 3/4".

**DEADBOLT FACEPLATE**

Standard 2 1/4" x 1" packed with 1/8" plastic filler to convert 1" face plate to 1 1/8" wide door preparations.

**BORE DIAMETER**

1" for latch, 1 1/2" or 2 1/8" for lock housing.

**STRIKE**

1 1/8" x 2 3/4" square corner.

**FINISHES**

IND84 is available in stock in US26D, 3, 4 and 10B finishes. Refer to price list for other stock finishes and functions.