

### Replacement Cylinders

**Features:**

- Made to Original Manufacturers' Keying Specifications
- All Cylinders drilled for 6-Pins
- Can be keyed with original pins
- Packed with appropriate accessories

| <b>KEY-IN-KNOB / LEVER &amp; DEADBOLT CYLINDER (Packed with tailpiece assortment pack)</b> |          |                              |       |        |
|--|----------|------------------------------|-------|--------|
| ILLUSTRATION   | ITEM#    | DESCRIPTION                  | KEYED | FINISH |
|           | KKARA-4  | 6-Pin Arrow "A"              | 5-Pin | US26D  |
|  | KKC59-4  | 6-Pin Corbin 60 Russwin 59   | 5-Pin |        |
|  | KKCL4-4  | 6-Pin Corbin L1 thru L4      | 6-Pin |        |
|  | KKKW5-4  | 6-Pin Kwikset                | 5-Pin |        |
|  | KKR-D1-4 | 6-Pin Russwin D-1 thru 4     | 6-Pin |        |
|  | KKSCC-4  | 6-Pin Schlage "C"            | 6-Pin |        |
|  | KKSCE-4  | 6-Pin Schlage "E"            | 6-Pin |        |
|  | KKSCF-4  | 6-Pin Schlage "F"            | 6-Pin |        |
|  | KKSCP-4  | 6-Pin Schlage C-K            | 5-Pin |        |
|  | KKSLA-4  | 6-Pin Sargent "LA" thru "LC" | 6-Pin |        |
|  | KKSRA-4  | 6-Pin Sargent "RA"           | 6-Pin |        |
|  | KKWFE-4  | 6-Pin Weiser / Falcon "E"    | 5-Pin |        |
|  | KKYA8-4  | 6-Pin Yale 8 (E1R)           | 5-Pin |        |
|  | KKYGA-4  | 6-Pin Yale "GA"              | 6-Pin |        |
| <b>1-1/4" MORTISE CYLINDERS (Packed with Adams Rite and Yale Cams)</b>                     |          |                              |       |        |
|         | KMARA-4  | 6-Pin Arrow "A"              | 5-Pin | US26D  |
|  | KMC59-4  | 6-Pin Corbin 60 Russwin 59   | 5-Pin |        |
|  | KMCL4-4  | 6-Pin Corbin L1 thru L4      | 6-Pin |        |
|  | KMKW5-4  | 6-Pin Kwikset                | 5-Pin |        |
|  | KMRD1-4  | 6-Pin Russwin D-1 thru 4     | 6-Pin |        |
|  | KMSCC-4  | 6-Pin Schlage "C"            | 6-Pin |        |
|  | KMSCE-4  | 6-Pin Schlage "E"            | 6-Pin |        |
|  | KMSCF-4  | 6-Pin Schlage "F"            | 6-Pin |        |
|  | KMSCP-4  | 6-Pin Schlage C-K            | 5-Pin |        |
|  | KMSLA-4  | 6-Pin Sargent "LA" thru "LC" | 6-Pin |        |
|  | KMSRA-4  | 6-Pin Sargent "RA"           | 6-Pin |        |
|  | KMWFE-4  | 6-Pin Weiser / Falcon "E"    | 5-Pin |        |
|  | KMYA8-4  | 6-Pin Yale 8 (E1R)           | 5-Pin |        |
|  | KMYGA-4  | 6-Pin Yale "GA"              | 6-Pin |        |
| <b>RIM CYLINDERS</b>   |          |                              |       |        |
|         | KR-AR-A  | Arrow "A"                    | 5-Pin | US26D  |
|  | KR-C-59  | Corbin 60 Russwin 59         | 5-Pin |        |
|  | KR-C-L4  | Corbin L1 thru L4            | 6-Pin |        |
|  | KR-KW-5  | Kwikset                      | 5-Pin |        |
|  | KR-R-D1  | Russwin D-1 thru 4           | 6-Pin |        |
|  | KR-SC-C  | Schlage "C"                  | 6-Pin |        |
|  | KR-SC-E  | Schlage "E"                  | 6-Pin |        |
|  | KR-SC-F  | Schlage "F"                  | 6-Pin |        |
|  | KR-SC-P  | Schlage C-K                  | 5-Pin |        |
|  | KR-S-LA  | Sargent "LA" thru "LC"       | 6-Pin |        |
|  | KR-S-RA  | Sargent "RA"                 | 6-Pin |        |
|  | KR-WF-E  | Weiser / Falcon "E"          | 5-Pin |        |
|  | KR-YA-8  | Yale 8 (E1R)                 | 5-Pin |        |
|  | KR-Y-GA  | Yale "GA"                    | 6-Pin |        |

#### 6 PIN SCHLAGE "C" KEYWAY MORTISE AND RIM CYLINDERS

| ILLUSTRATION | ITEM NO            | DESCRIPTION   | FINISH          |
|--------------|--------------------|---|-----------------|
|              | <b>CX96RIM</b>     | 6-Pin SCHLAGE "C" keyway 1 1/8" Rim Cylinder with mounting plate & screws     | US26D, US10B, 3 |
|              | <b>AMORTCYL118</b> | 6-Pin SCHLAGE "C" Keyway Mortise Cylinder 1 1/8" length, with Adams Rite Cam  |                 |
|              | <b>AMORTCYL114</b> | 6-Pin SCHLAGE "C" Keyway Mortise Cylinder 1 1/4" length, with Adams Rite Cam  |                 |
|              | <b>CMORTCYL118</b> | 6-Pin SCHLAGE "C" Keyway Mortise Cylinder 1 1/8" length, with CLOVER LEAF cam |                 |
|              | <b>CMORTCYL114</b> | 6-Pin SCHLAGE "C" Keyway Mortise Cylinder 1 1/4" length, with CLOVER LEAF cam |                 |
|              | <b>THMBMORT100</b> | 1" Mortise Cylinder with Thumbturn  |                 |
|              | <b>BLNKMORT100</b> | 1" Blank Mortise Cylinder   |                 |

#### 6 PIN SCHLAGE "C" KEYWAY EUROPEAN PROFILE MORTISE CYLINDERS

|  |                   |   |      |
|--|-------------------|---|------|
|  | <b>KE-SCC-S-A</b> | Single Cylinder 45mm Schlage "C", 6-pin rekeyable           | US15 |
|  | <b>KE-SCC-D-C</b> | Double Cylinder 60mm Schlage "C", 6-pin rekeyable           |      |
|  | <b>KE-SCC-D-D</b> | Double Cylinder 70mm Schlage "C", 6-pin rekeyable           |      |
|  | <b>KE-SCC-C-C</b> | Single Cylinder with turn 60mm Schlage "C", 6-pin rekeyable |      |
|  | <b>KE-SCC-C-D</b> | Single Cylinder with turn 70mm Schlage "C", 6-pin rekeyable |      |
|  | <b>KE-P-C</b>     | Bathroom Cylinder 60mm                                      |      |
|  | <b>KE-P-D</b>     | Bathroom Cylinder 70mm                                      |      |

#### MORTISE CYLINDER ACCESSORIES

|  |                 |  |                       |
|--|-----------------|--|-----------------------|
|  | <b>MCCR1814</b> | Mortise Cylinder Compression Ring 1/8" to 1/4"                 | US26D, US10B, 3       |
|  | <b>MCCR3812</b> | Mortise Cylinder Compression Ring 3/8" to 1/2"                 |                       |
|  | <b>CGR175</b>   | Cylinder Guard Ring 1 3/4" with Wave Washer and Spacing Collar | US26D, US10B, US3, 4  |
|  | <b>MCRC-250</b> | Free-Spinning Cylinder Guard Ring 1/4"                         | US3, 15, US26D, US10B |

#### STANDARD MORTISE CAMS

|              |              |              |              |              |              |              |              |              |              |                |              |              |
|--------------|--------------|--------------|--------------|--------------|--------------|--------------|--------------|--------------|--------------|----------------|--------------|--------------|
|              |              |              |              |              |              |              |              |              |              |                |              |              |
| <b>KC-C1</b> | <b>KC-C3</b> | <b>KC-C4</b> | <b>KC-C5</b> | <b>KC-C8</b> | <b>KC-C9</b> | <b>KC-S1</b> | <b>KC-S3</b> | <b>KC-S4</b> | <b>KC-S5</b> | <b>KC-S6</b>   | <b>KC-S7</b> | <b>KC-S9</b> |
| ADAMS RITE   | YALE         | RUSSWIN      | NM SERIES    | SCHLAGE L    | SARGENT      | ADAMS RITE   | YALE MORTISE | RUSSWIN      | FALCON       | CRP PANIC TRIM | SC SERIES    | SARGENT      |

### Best / Falcon 6 & 7 Pin Small Format Interchangeable Cores and Key Blanks (SFIC) Key Sections (A, B, C, D, E, F, G, H, J, K, L, M, Q, TB)

\*All above Keyways in stock for immediate shipment

**Features:**

- Operates on Best / Falcon small format interchangeable cores locksets, deadbolts, rim and mortise cylinders
  - Operates on all of Cal-Royal's keyed locksets prepared for small format
- Best/ Falcon A, B, C, D, E, F, G, H, J, K, L, M, Q, TB Keyways**

| BEST / FALCON 6 & 7 PIN SMALL FORMAT INTERCHANGEABLE CORES & KEY BLANK                      |              |  |                     |            |                   |
|---|--------------|--|---------------------|------------|-------------------|
| ILLUSTRATION  | KEY SECTIONS | UNCOMBINATED   | MASTER KEYED        | KEY BLANKS | FINISH            |
| 6 PIN MASTER KEYED<br>6 PIN UNCOMBINATED<br>7 PIN MASTER KEYED<br>7 PIN UNCOMBINATED<br>    |              | *6PUC A (6-Pins)   | 6PCCA-MK (6-Pins)   | KBSF-A     | US26D, US4        |
|   |              | *7PUC A (7-Pins)   | 7PCC A-MK (7-Pins)  | KBSF-A     |                   |
|   |              | 7PUC B (7-Pins)  | 7PCC B-MK (7-Pins)  | KBSF-B     |                   |
|   |              | 7PUC C (7-Pins)  | 7PCC C-MK (7-Pins)  | KBSF-C     |                   |
|   |              | 7PUC D (7-Pins)  | 7PCC D-MK (7-Pins)  | KBSF-D     |                   |
|   |              | 7PUC E (7-Pins)  | 7PCC E-MK (7-Pins)  | KBSF-E     |                   |
|   |              | 7PUC F (7-Pins)  | 7PCC F-MK (7-Pins)  | KBSF-F     |                   |
|   |              | 7PUC G (7-Pins)  | 7PCC G-MK (7-Pins)  | KBSF-G     |                   |
|   |              | 7PUC H (7-Pins)  | 7PCC H-MK (7-Pins)  | KBSF-H     |                   |
|   |              | 7PUC J (7-Pins)  | 7PCC J-MK (7-Pins)  | KBSF-J     |                   |
|   |              | 7PUC K (7-Pins)  | 7PCC K-MK (7-Pins)  | KBSF-K     |                   |
|   |              | 7PUC L (7-Pins)  | 7PCC L-MK (7-Pins)  | KBSF-L     |                   |
| 7PUC M (7-Pins)   |              | 7PCC M-MK (7-Pins)   | KBSF-M              |            |                   |
| 7PUC Q (7-Pins)   |              | 7PCC Q-MK (7-Pins)   | KBSF-Q              |            |                   |
| ICPTT<br>6PCC-KD<br>7PCC-KD<br>ICCC<br>ICCC7<br>ICPTT                                       |              | 7PUC TB (7-Pins)   | 7PCC TB-MK (7-Pins) | KBSF-TB    |                   |
|   | 6PCC-KD      | Best, Falcon and Arrow Small Format. 6-Pin Interchangeable Core, Rim and Mortise Cylinder.   |                     |            | US26D, US4        |
|   | 7PCC-KD      | Best, Falcon and Arrow Small Format. 7-Pin Interchangeable Core, Rim and Mortise Cylinder.   |                     |            |                   |
|   | ICCC         | Temporary 6-Pin construction cores   |                     |            |                   |
|   | ICCC7        | Temporary 7-Pin construction cores   |                     |            |                   |
|   | ICPTT        | Plastic thumbturns available for non-secured areas   |                     |            | BLACK             |
| BEST, FALCON AND ARROW 6 / 7 PIN SMALL FORMAT INTERCHANGEABLE CORE MORTISE AND RIM CYLINDER |              |  |                     |            |                   |
| 308-602<br>307-601<br>ICH961387   | 308-602      | Best, Falcon and Arrow 6 / 7-Pin Small Format Interchangeable Core Rim Cylinder with mounting plate & screws   |                     |            | US26D, US10B, US3 |
|   | 307-601      | Best, Falcon and Arrow 6 / 7-Pin Small Format Interchangeable Core Mortise Cylinder with Adams Rite Cam, 1 1/4" length   |                     |            |                   |
|   | ICH961387    | Best, Falcon and Arrow 6 / 7-Pin Small Format Interchangeable Core Mortise Cylinder, Cloverleaf Cam 1 1/4" length, To be used with Cal-Royal NM Series Mortise locks |                     |            |                   |

**Large Format 6 Pin Interchangeable Core and Housing (LFIC)**

**Features:**

- Operates on all Schlage, Sargent LA-LB-LC, Russwin D1-D2-D3-D4, Yale GA large format interchangeable cores locksets, deadbolts, rim and mortise cylinders.

| LARGE FORMAT 6 PIN INTERCHANGEABLE CORE CYLINDERS                        |            |   |                 |
|--|------------|---|-----------------|
| ILLUSTRATION   | ITEM#      | DESCRIPTION   | FINISH          |
|  | 3000 ICC   | 6-Pin "C" keyway combined <b>SCHLAGE</b> large format IC core cylinder KA# 111111 with "C" key blanks   | US26D, 4        |
|  | 4000ICCK   | 6-Pin "C-K" keyway combined <b>SCHLAGE</b> large format IC core cylinder KA# 111111 with "E" key blanks   |                 |
|  | 5000ICE    | 6-Pin "E" keyway combined <b>SCHLAGE</b> large format IC core cylinder KA# 111111 with "E" key blanks   |                 |
|  | 1000ICC    | 6-Pin "C" keyway combined <b>SCHLAGE</b> large format IC core cylinder KD and MK  |                 |
|  | 2000 ICC   | Temporary 6-Pin Construction Cores (Keyed Alike) will be charged on a separate memo billing for 6 months. On return to the factory credit will be issued.                     |                 |
|  | KL-LAD-SA  | <b>SARGENT</b> LA-LB-LC LFIC 6-Pin Uncombined   |                 |
|  | KL-RD1-CR  | <b>RUSSWIN / CORBIN</b> D1-D2-D3-D4 LFIC 6-Pin Uncombined   |                 |
|  | KL-YGA-YA  | <b>YALE</b> GA LFIC 6-Pin Uncombined  |                 |
| LARGE FORMAT 6 PIN INTERCHANGEABLE CORE MORTISE AND RIM CYLINDER HOUSING |            |   |                 |
|  | 6000ICMA   | <b>SCHLAGE</b> Large format Interchangeable Core Mortise cylinder housing with Adams Rite Cam 1 ½" long   | US26D, US10B, 3 |
|  | 7000ICMC   | <b>SCHLAGE</b> Large format Interchangeable Core Mortise cylinder housing with Cloverleaf Cam 1 ½" long. To be used with Cal-Royal NM Series Mortise locks                    |                 |
|  | 8000 ICRIM | <b>SCHLAGE</b> Large format Interchangeable Core rim cylinder housing with mounting plate and screw   |                 |
|  | KM-LFH-SA  | <b>SARGENT</b> Large format Interchangeable Core Mortise cylinder housing with Adams Rite Cam 1 ½" long. Optional rim pack, <b>26D only (See Price Book page L106)</b>        |                 |
|  | KM-LFH-CR  | <b>CORBIN/RUSSWIN</b> Large format Interchangeable Core Mortise cylinder housing with Adams Rite Cam 1 ½" long. Optional rim pack, <b>26D only (See Price Book page L106)</b> |                 |
|  | KM-LFH-YA  | <b>YALE</b> Large format Interchangeable Core Mortise cylinder housing with Adams Rite Cam 1 ½" long. Optional rim pack, <b>26D only (See Price Book page L106)</b>           |                 |



**RESTRICTED KEY CONTROL USING CONVENTIONAL REPLACEMENT CYLINDERS (TIER 3)**

**Tier 3 Conventional Replacement Cylinders**

Provide restricted key control by utilizing the HSK Patented key system, without the cost of anti pick drill and bump features. Tier 3 cylinders can be incorporated into HSK Tier 1 & 2 Master Key and Key systems. HSK Tier 1 & 2 keys will work in Tier 3 cylinders however Tier 3 keys will not work in Tier 1 & 2 HSK Cylinders. Tier 3 keys are covered under our patented key system.

**Tier 2 High Security Cylinders**

Have anti-pick, anti-drill and anti-bump features without the UL 437 Certification. See HSK Section.

**Tier 1 (UL 437) High Security Cylinders**

Have anti pick, anti drill and anti bump features incorporated and have the UL 437 Certification. See HSK Section.








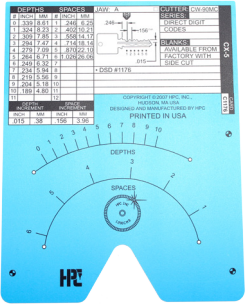
| RESTRICTED KEY CONTROL REPLACEMENT CYLINDERS  |  |  |
|---|--|--|
| KEY-IN-KNOB-LEVER CYLINDERS   | SMALL FORMAT IC CYLINDERS  | MORTISE CYLINDERS  |
|    |   |   |
| <p><b>KKCRL-6</b><br/>Key-In-Knob / Lever Replacement Cylinder<br/>6-Pin "0 Bitted"<br/>Includes:</p> <ul style="list-style-type: none"> <li>Standard Key / Lever Tailpiece (other tailpieces available)</li> <li>2 keys (See Note B)</li> </ul>                    | <p><b>7PUCCRS</b><br/>Uncombined Small Format Interchangeable Core Conventional SFIC, 7-Pin</p> <ul style="list-style-type: none"> <li>Does not include keys<br/>See Note C</li> </ul>   | <p><b>KMCRL-4</b><br/>1 1/4" 6-Pin "0 Bitted" Mortise Cylinder.</p> <ul style="list-style-type: none"> <li>Cylinder comes with Adams Rite Cam - other cams are available as HSK.</li> <li>2 keys</li> <li>Optional Rim Conversion Package Available<br/>See Note B &amp; Note E</li> </ul> |
| SINGLE CYLINDER DEADBOLT KITS   | DOUBLE CYLINDER DEADBOLT KITS  | MORTISE / RIM COMBO CYLINDER KITS  |
|    |    |   |
| <p><b>KKCRLSD-6</b><br/>Single Cylinder Deadbolt Replacement Cylinder<br/>6-Pin "0 Bitted"<br/>Includes:</p> <ul style="list-style-type: none"> <li>2 keys (See Note B)</li> </ul>  | <p><b>KKCRLDD-6</b><br/>Double Cylinder Deadbolt Replacement Cylinder (2 required) 6-Pin "0 Bitted"<br/>Includes:</p> <ul style="list-style-type: none"> <li>2 keys (See Note B)</li> </ul>  | <p><b>KRCRL-6</b><br/>1 1/4", 6-Pin "0 Bitted" Mortise Cylinder w/ Rim Conversion Package<br/>Cylinder comes with Adams Rite Cam<br/>Includes:</p> <ul style="list-style-type: none"> <li>2 keys (See Note B)</li> </ul>   |
| KEY BLANKS  | NOTES  |  |
|  <p><b>KBCRL-6</b><br/>Key blanks for use with Full Size replacement cylinders</p> <p><b>KBCRS-7</b><br/>Key blanks for use with 7PUCCRS Small Format Interchangeable Cores.</p> | <p><b>Notes</b></p> <ol style="list-style-type: none"> <li>HSK Tier 1 and 2 Keys will operate with Tier 3 Replacement Cylinders, however the Tier 3 keys will not operate in the Tier 1 and Tier 2 High Security Cylinders.</li> <li>Pinning on Full Size Cylinders (CRL) is the same as Schlage, Pins, Depths &amp; Spacing. No special pinning kits required. For pin spacing, use Scorpion HPC CX5 Card.<br/><b>See page 102 for Scorpion Card.</b></li> <li>Pinning on SFIC Cores (7PUC) is the same as Best, Falcon, Pins and Depth. No special pinning kits required.</li> <li>Cutting keys will have to be done on code machines or duplicators. These keys cannot be cut on punches.</li> <li>Tier 1, 2 &amp; 3 Mortise Cylinders use the same Cams. To order other cams see HSK Cam Sheet.</li> <li>Optional Rim Pack is also sold separately. Part # is "Rim Pack."<br/>(Converts Mortise Cylinder to Rim Cylinder)</li> </ol> |  |

The CRP Securities High Security Key (HSK) System utilizes the innovative Sidebar technology to bring superior and manageable Key Control. Together with distinct keyways and controlled means of key blank distribution, the Sidebar offers a superior level of Key Control Management. Keys can be cut on any standard duplicating and code cutting machines. All cylinders can be master keyed (MK), keyed-alike (KA) and keyed-different (KD). Schlage pins and depths for spacing use HPC CX5 Scorpion Card. On SFIC Cards use Best, Falcon, Pins, Depths and Spacing.

The HSK System is designed for use in institutions, schools, hospitals, banks and all commercial and residential applications. The Sidebar series keyway is a proprietary design that is distributed in a controlled manner. Card control is implemented which requires authorized signature for valid duplication. We offer a cost-effective level of security comparable to other expensive high security control systems.

Maximum pick resistance is assured in HSK Systems with the utilization of anti-picking side pins and random mushroom top pins secured by cap screws. Standard cylinders are equipped with 2 hardened steel pins (up to 10 for UL-Listed) in the cylinder plug face for the ultimate in drill resistance. This protects the top and bottom pins and the sidebar from drilling attack.

**MEETS**  
The Buy American Act

| EXCLUSIVE SIDE BAR TECHNOLOGY  |   |   |   |
|--|---|---|---|
| Unique floating side bar pins<br>Exclusive Keyways<br>Patented Cylinder and Key  |   | Pick-Resistant Spool Pins<br>Anti-Drill Hardened Steel Pins<br>Hardened Silver Nickel Side Bar  |   |
| KEY-IN-KNOB-LEVER CYLINDERS  | SMALL FORMAT IC CYLINDERS   | LARGE FORMAT IC CYLINDERS   | MORTISE / RIM COMBO CYLINDERS   |
|   |    |   |    |
| <b>KIKL5 / KIKL6</b><br>Deadbolt/Knob/Lever,<br>5-Pin and 6-Pin, Universal tailpieces<br>for locksets and deadbolts<br><br><b>ULKIKL</b><br>UL 437- Listed for 6-Pin, Universal<br>tailpieces for locksets and deadbolts | <b>SFIC7</b><br>Small Format, 7-Pin<br><br><b>ANSFIC7</b><br>ANSI/BHMA A156.30 Certified<br>Small Format, 7-Pin             | <b>LFIC6</b><br>Schlage Large Format 6-Pin<br><br><b>ULLFIC6</b><br>UL 437- Listed<br>Schlage Large Format 6-Pin  | <b>MRC118</b> - 1 1/8", 6-Pin<br><b>ULMRC118</b> - UL 437- Listed,<br>1 1/8", 6-Pin<br><br><b>MRC114</b> - 1 1/4", 6-Pin<br><b>ULMRC114</b> - UL 437- Listed,<br>1 1/4", 6-Pin<br><br>Mortise-Rim combination |
| Optional Keyed Different (KD), Keyed Alike (KA), Master Keyed (MK) and 0-bitted (0B)   |   |   |   |
| KEY BLANKS AND CONTROL KEYS  | SFIC HOUSING  | LFIC HOUSING  |   |
|   |   |    |   |
| <b>KBL6</b> - 6-Pin Key Blank,<br>Standard & Large Format<br><b>KBLSF7</b> - 7-Pin Small Format Key Blank<br>(SFIC)<br><b>KCK6</b> - 6-Pin Large Format IC control<br>key (LFIC)   |  <p><b>HPC CX5<br/>Scorpion Card</b></p> | <b>MRCSFIC-1-H</b><br>Small Format IC Housing for<br>SFIC7 and ULSFIC7<br><br><b>MRCLFIC-2-H</b><br>Large Format IC Housing<br>For Schlage Large Format<br>IC LFIC6 and ULLFIC6 |   |

### KEY-IN-KNOB / LEVER (KIKL)

**MEETS**  
*The Buy American Act*

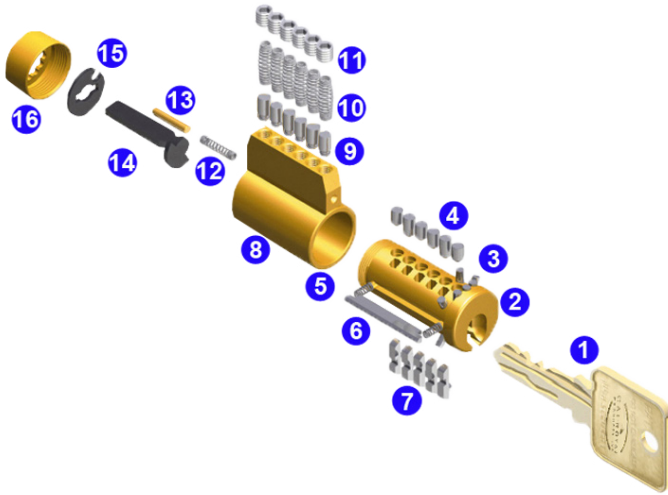
- ANSI / BHMA A156.30 Certified
- UL 437 – Listed
- Retrofits all CRP-Securities cylindrical locksets and deadbolts including other popular brand names
- Unique floating sidebar pins

- Patented Cylinder plug and Key
- Exclusive Keyways
- Pick-Resistant Spool Pins
- Hardened Silver Nickel Side Bar

- 0-Bitted or Keyed Different
- Anti-Drill Hardened Steel Pins (2 – Standard, 9 – UL)
- Comes standard with different tailpieces for universal application and 2 keys

| ITEM CODE      | DESCRIPTION   |
|----------------|---|
| <b>KIKL5</b>   | Universal 5-Pin Grade 3 Key-In-Knob-Lever Cylinder        |
| <b>KIKL6</b>   | Universal 6-Pin Key-In-Knob-Lever Cylinder                |
| <b>ULKIKL6</b> | UL 437- Listed Universal 6-Pin Key-In-Knob-Lever Cylinder |

| PART NO | PARTS DESCRIPTION | QTY  |      | PART NO | PARTS DESCRIPTION    | QTY |
|---------|-------------------|------|------|---------|----------------------|-----|
|         |                   | KIKL | MRCC |         |                      |     |
| 1       | Key               | 2    | 2    | 17      | Cylinder Cover       | -   |
| 2       | Plug              | 1    | 1    | 18      | Sleeve               | -   |
| 3       | Anti-Drill Pin    | *    | *    | 19      | Snap Ring            | -   |
| 4       | Bottom Pin        | 6    | 6    | 20      | Plug Control Pin     | -   |
| 5       | Sidebar Pin       | 2    | 2    | 21      | Pin Cover            | -   |
| 6       | Sidebar           | 1    | 1    | 22      | Operation Hang Pin   | -   |
| 7       | Side Pin          | 5*** | 5    | 23      | Cylinder Control Pin | -   |
| 8       | Cylinder Housing  | 1    | 1    | 24      | Operation Pin Spring | -   |
| 9       | Top Pin           | 6**  | 6    | 25      | Operation Spring     | -   |
| 10      | Top Pin Spring    | 6**  | 6    | 26      | Cam                  | 1   |
| 11      | Cap Set Screw     | 6**  | 6    | 27      | Cam Screw            | 1   |
| 12      | Screw Cap Spring  | 1    | -    | 28      | Plate                | 1   |
| 13      | Screw Cap Pin     | 1    | -    | 29      | Steel Ball           | 2   |
| 14      | Tail Piece        | 9    | 1    | 30      | Bolt                 | 2   |
| 15      | Washer            | 1    | 1    | 31      | Screw                | 2   |
| 16      | Screw Cap         | 2    | -    |         |                      |     |



\* Number of Anti-Drill Pins dependent on cylinder type (2 for Standard, 9 for UL)  
 \*\* 5 for KIKL5  
 \*\*\* 4 for KIKL5

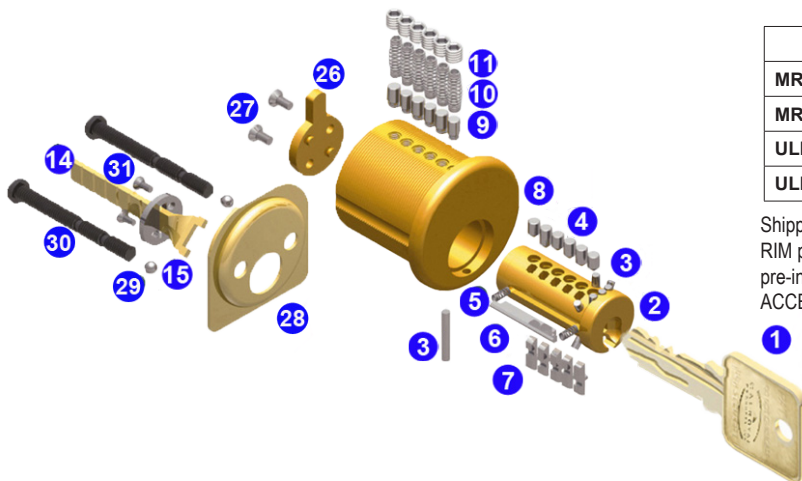
### MORTISE-RIM COMBO CYLINDER (MRCC)

**MEETS**  
*The Buy American Act*

- ANSI / BHMA A156.30 Certified
- UL 437 – Listed
- 1 1/8" and 1 1/4" Mortise and Rim combination saves stocking space and inventory
- Hardened Silver Nickel Side Bar
- Pick-Resistant Spool Pins

- Cylinder rings available for 1" cylinder requirements using MRCC114 or MRC118
- Unique floating sidebar pins
- Exclusive Keyways

- 0-Bitted or Keyed Different
- Anti-Drill Hardened Steel Pins (3 – Standard, 10 – UL)
- Comes standard with 2 keys
- Patented Cylinder and Key



| ITEM CODE       | DESCRIPTION   |
|-----------------|---|
| <b>MRC114</b>   | 6-Pin 1 1/4" Mortise-Rim Combination Cylinder                 |
| <b>MRC118</b>   | 6-Pin 1 1/8" Mortise-Rim Combination Cylinder                 |
| <b>ULMRC114</b> | UL 437 - Listed 6-Pin 1 1/4" Mortise-Rim Combination Cylinder |
| <b>ULMRC118</b> | UL 437 - Listed 6-Pin 1 1/8" Mortise-Rim Combination Cylinder |

Shipped as a mortise cylinder this is convertible to a RIM cylinder with the standard RIM pack included with the 1 1/4" and 1 1/8" mortise cylinder. An "Adams Rite" cam is pre-installed on all mortise cylinders. Other cam options are available in the KITS & ACCESSORIES section.

**SMALL FORMAT INTERCHANGEABLE CORE (SFIC) CYLINDERS**

**MEETS**  
*The Buy American Act*

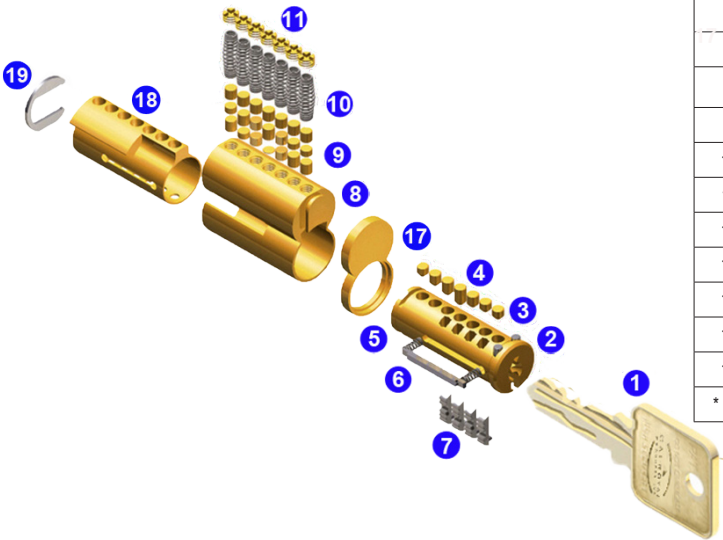
The Small Format Interchangeable Core (SFIC) cylinders are comparable to other popular SFIC in the market such as “BEST” when it comes to functionality, but with the added security of the sidebar mechanism. The location of the sidebar mechanism is inside the plug of the core, so there is no need to dismantle it to combine or pin the cylinder.

- ANSI / BHMA A156.30 Certified
- Retrofits all CRP-Securities cylindrical locksets and deadbolts including other popular brand names
- Unique floating sidebar pins
- Patented Cylinder and Key
- Exclusive Keyways
- Pick-Resistant Spool Pins
- Hardened Silver Nickel Side Bar
- 0-Bitted or Keyed Different
- Anti-Drill Hardened Steel Pins
- (2 – Standard, 4 – UL)
- Comes standard with 2 keys

| ITEM CODE      | DESCRIPTION  |
|----------------|--|
| <b>SFIC7</b>   | 7-Pin Small Format Interchangeable Core Cylinder                               |
| <b>ANSFIC7</b> | ANSI / BHMA A156.30 Certified 7-Pin Small Format Interchangeable Core Cylinder |

| PART NO | PARTS DESCRIPTION | QTY  |      | PART NO | PARTS DESCRIPTION    | QTY  |      |
|---------|-------------------|------|------|---------|----------------------|------|------|
|         |                   | SFIC | LFIC |         |                      | SFIC | LFIC |
| 1       | Key               | 2    | 2    | 17      | Cylinder Cover       | 1    | 1    |
| 2       | Plug              | 1    | 1    | 18      | Sleeve               | 1    | -    |
| 3       | Anti-Drill Pin    | *    | *    | 19      | Snap Ring            | 1    | -    |
| 4       | Bottom Pin        | 7    | 6    | 20      | Plug Control Pin     | -    | 1    |
| 5       | Side Bar Pin      | 2    | 2    | 21      | Pin Cover            | -    | 1    |
| 6       | Side Bar          | 1    | 1    | 22      | Operation Hang Pin   | -    | 1    |
| 7       | Side Pin          | 4    | 5    | 23      | Cylinder Control Pin | -    | 1    |
| 8       | Cylinder Housing  | 1    | 1    | 24      | Operation Pin Spring | -    | 1    |
| 9       | Top Pin           | 21   | 6    | 25      | Operation Spring     | -    | 1    |
| 10      | Top Pin Spring    | 7    | 6    | 26      | Cam                  | -    | -    |
| 11      | Cap Set Screw     | 7    | -    | 27      | Cam Screw            | -    | -    |
| 12      | Screw Cap Spring  | -    | 1    | 28      | Plate                | -    | -    |
| 13      | Screw Cap Pin     | -    | 1    | 29      | Steel Ball           | -    | -    |
| 14      | Tail Piece        | -    | -    | 30      | Bolt                 | -    | -    |
| 15      | Washer            | -    | -    | 31      | Screw                | -    | -    |
| 16      | Screw Cap         | -    | 1    |         |                      |      |      |

\* Number of Anti-Drill Pins dependent on cylinder type (2 for Standard, 4 for UL)

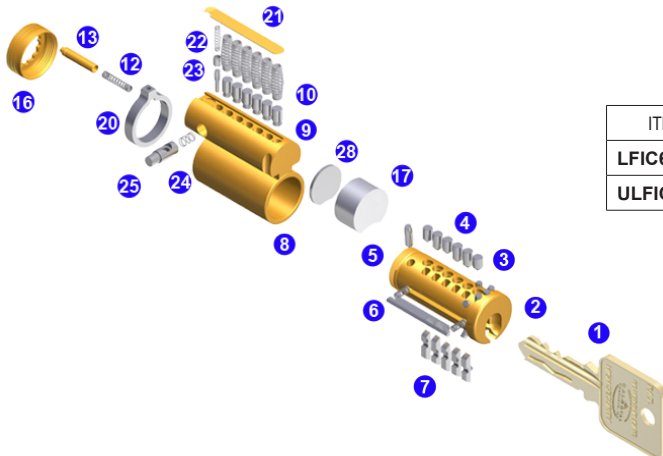


**LARGE FORMAT INTERCHANGEABLE CORE (LFIC) CYLINDERS**

**MEETS**  
*The Buy American Act*

The Large Format Interchangeable Core (LFIC) cylinders are configured as “Schlage” format. It comes in a 6-Pin configuration.

- UL 437 – Listed
- Retrofits all CRP-Securities cylindrical locksets and deadbolts including other popular brand names
- Hardened Silver Nickel Side Bar
- Exclusive Keyways
- Pick-Resistant Spool Pins
- Patented Cylinder and Key
- Unique floating side bar pins
- 0-Bitted or Keyed Different
- Anti-Drill Hardened Steel Pins
- (2 – Standard, 9 – UL)
- Comes standard with 2 keys



| ITEM CODE     | DESCRIPTION  |
|---------------|--|
| <b>LFIC6</b>  | 6-Pin Schlage Large Format Interchangeable Core Cylinder                 |
| <b>ULFIC6</b> | UL 437 - Listed 6-Pin Schlage Large Format Interchangeable Core Cylinder |



**SMALL FORMAT AND LARGE FORMAT INTERCHANGEABLE CORE CYLINDER HOUSING**

**MEETS**  
*The Buy American Act*



**MRCSFIC-1-H**  
Small Format IC Housing  
for SFIC7 and ULSFIC7



**MRCLFIC-2-H**  
Large Format IC Housing  
for Schlage LFIC6 and ULSFIC7

**HSCRB800 AND HSCRB700 SERIES GRADE 1 HEAVY DUTY HIGH SECURITY DEADBOLT**

**MEETS**  
*The Buy American Act*

- Commercial and Residential Application
- Meets ADA requirements specially designed for Barrier Free Application
- Exceeds BHMA / ANSI A156.5 Series 4000, Grade 1 requirements
- ADA Ergonomic Thumbturn
- Available as Single or Double Cylinder
- Free turning, wrench-resistant tapered cylinder ring
- 1" (25mm) throw high-strength steel alloy deadbolt with anti-saw
- Steel mounting plate
- TRIM: Wrought Brass or Stainless Steel
- FACE PLATE: Standard 2 1/4" X 1 1/8"
- DOOR RANGES: Adjustable 1 3/8" (40mm) to 2" (51mm) door thickness
- BORE DIAMETER: 1" for latch, 2 1/8" for lock housing
- STRIKE: 1/8" X 2 3/4" square corner
- Extra security 1" throw bolt with 1/4" free spinning anti-cut through pin
- 2 pcs x 3" screws with wood frame reinforcer greatly strengthens door frames



**HSCRB800**  
SINGLE CYLINDER DEADBOLT



**HSCRB700**  
DOUBLE CYLINDER DEADBOLT

**ALSO AVAILABLE FOR GRADE 2 DEADBOLT CYLINDERS**



**HSULT360**



**HSULT362**



**HSCB160**



**HSCB162**

### KEY BLANKS AND CONTROL KEYS

| ITEM CODE | DESCRIPTION                       |
|-----------|-----------------------------------|
| KBL5      | 5-Pin key blank                   |
| KBL6      | 6-Pin key blank                   |
| KBLSF7    | 7-Pin Small Format IC key blank   |
| KCK6      | 6-Pin Large Format IC control key |



**MEETS**  
*The Buy American Act*



**KZHSK COT**  
Drive Pin Cut Off Tool

### ACCESSORIES

#### MORTISE AND KIKL COMPONENTS (UL - LISTED)

|         | ULCAMADAM-1 | ULCAMYALE-2 | ULCAMYALE-2A | ULCAMRUSS-3 | ULCAMFLCN-4 | ULCAMSCHL-7 | ULCAMSGNT-8 | ULMSHRMTPIN | ALLNSCRW-SS |
|---------|-------------|-------------|--------------|-------------|-------------|-------------|-------------|-------------|-------------|
|         |             |             |              |             |             |             |             |             |             |
| SSBPIN0 | SSBPIN1     | SSBPIN2     | SSBPIN3      | SSBPIN4     | SSBPIN5     | SSBPIN6     | SSBPIN7     | SSBPIN8     | SSBPIN9     |
|         |             |             |              |             |             |             |             |             |             |

#### MORTISE AND KIKL COMPONENTS (NON-UL)

| SPIN1      | SPIN2      | SPIN3      | SPIN4       | SIDEBAR-1  | SIDEBARSPRING | LZTPSD-01 | LZTPDD-01   | LZTPDD-02 |
|------------|------------|------------|-------------|------------|---------------|-----------|-------------|-----------|
|            |            |            |             |            |               |           |             |           |
| KIKLZTP-01 | KIKLZTP-02 | KIKLZTP-03 | KIKLZTP-04  | KIKLZTP-05 | KIKLZTP-06    | TPWASHER  | MSHRMTPIN   |           |
|            |            |            |             |            |               |           |             |           |
| KIKLCAP-01 | KIKLCAP-02 | KIKPIN     | KIKPINSRING | RIMPACK    | ALLNSCRW-BLK  | KIKSPRING | MRTPINSRING |           |
|            |            |            |             |            |               |           |             |           |
| CAMADAM-1  | CAMYALE-2  | CAMYALE-2A | CAMRUSS-3   | CAMFLCN-4  | CAMSCHL-7     | CAMSGNT-8 | CAMSCREW    |           |
|            |            |            |             |            |               |           |             |           |

#### LFCIC COMPONENTS

| LFCAMADAM-1 | LFCAMYALE-2 | LFCAMYALE-2A | LFCAMRUSS-3 | LFCAMFLCN-4 | LFCAMSCHL-7 | LFCAMSCRW |
|-------------|-------------|--------------|-------------|-------------|-------------|-----------|
|             |             |              |             |             |             |           |

#### SFICIC COMPONENTS

| SFICWPIN1 | SFICSPIN2 | SFICSPIN3 | SFICSIDEBAR | SFICBSBSPR | SFICCLIP | SFICALLNSCRW | SFICSPR |
|-----------|-----------|-----------|-------------|------------|----------|--------------|---------|
|           |           |           |             |            |          |              |         |



**CRP COMBINATION “COMBI” KEY CONTROL CYLINDER PROGRAM**

COMBI is a new key system developed by Cal-Royal Products, Inc. and CRP Securities to resolve key systems using different lock manufacturers’ products to work together. Using patented keyway design, it allows for existing keying systems of different lock manufacturers to be integrated into one keyway, while maintaining existing hierarchy of key control and key combinations.

| CRP COMBI CYLINDER PROGRAM   |   |  |  |
|--|---|--|--|
| KEY-IN-KNOB-LEVER CYLINDERS  | SMALL FORMAT IC CYLINDERS   | MORTISE CYLINDERS  |  |
|   |    |   |  |
| <p><b>KK-COS-NS</b><br/>Key-In-Knob / Lever Replacement Cylinder<br/>6-Pin “0-bitted”<br/>Includes:</p> <ul style="list-style-type: none"> <li>• Standard Key / Lever Tailpiece (other tailpieces available)</li> <li>• 2 keys</li> <li>• See Note A below for pinning info</li> </ul> | <p><b>6PUC0-COS</b><br/>Uncombined Small Format Interchangeable Core Conventional SFIC, 6-Pin</p> <ul style="list-style-type: none"> <li>• Does not include keys<br/>See Note B below for pinning info</li> </ul>   | <p><b>KM-COS-4</b><br/>1 ¼” 6-Pin “0-bitted” Mortise Cylinder.</p> <ul style="list-style-type: none"> <li>• Cylinder comes with Adams Rite Cam - other cams are available as HSK.</li> <li>• 2 keys</li> <li>• Optional Rim Conversion Package Available</li> <li>• See Note A below for pinning info</li> </ul> |  |
| LARGE FORMAT INTERCHANGEABLE CORES   |   |  |  |
| SCHLAGE  | YALE  | SARGENT  | CORBIN/RUSSWIN   |
|    |   |   | <br>KL-RD1-CR  |
| <p><b>KL-COS-SC</b><br/>Schlage Large Format<br/>6-Pin “0-bitted”<br/>Includes:</p> <ul style="list-style-type: none"> <li>• 2 keys</li> <li>• See Note A below for pinning info</li> </ul>  | <p><b>KL-COS-YA</b><br/>Yale Large Format<br/>6-Pin “0-bitted”<br/>Includes:</p> <ul style="list-style-type: none"> <li>• 2 keys</li> <li>• See Note A below for pinning info</li> </ul>  | <p><b>KL-COS-SA</b><br/>Sargent Large Format<br/>6-Pin “0-bitted”<br/>Includes:</p> <ul style="list-style-type: none"> <li>• 2 keys</li> <li>• See Note A below for pinning info</li> </ul>  | <p><b>KL-COS-CR</b><br/>Corbin / Russwin Large Format<br/>6-Pin “0-bitted”<br/>Includes:</p> <ul style="list-style-type: none"> <li>• 2 keys</li> <li>• See Note A below for pinning info</li> </ul> |
| EUROPEAN PROFILE CYLINDERS   |   |  |  |
| HALF CYLINDER  | DOUBLE CYLINDER   | CYLINDER X THUMBTURN   |  |
|   |    |   |  |
| <p><b>KE-COS-S</b></p> <ul style="list-style-type: none"> <li>• 1 ¾” (45mm ) length, 6-Pin standard</li> <li>• Base material: Brass</li> </ul> <p>Includes:</p> <ul style="list-style-type: none"> <li>• 2 keys</li> <li>• See Note A below for pinning info</li> </ul>                | <p><b>KE-COS-D</b></p> <ul style="list-style-type: none"> <li>• 2 ¼” (70mm ) length, 6-Pin standard</li> <li>• Base material: Brass</li> </ul> <p>Includes:</p> <ul style="list-style-type: none"> <li>• 2 keys</li> <li>• See Note A below for pinning info</li> </ul> | <p><b>KE-COS-C</b></p> <ul style="list-style-type: none"> <li>• 2 ¼” (70mm ) length, 6-Pin standard</li> <li>• Base material: Brass</li> </ul> <p>Includes:</p> <ul style="list-style-type: none"> <li>• 2 keys</li> <li>• See Note A below for pinning info</li> </ul>  |  |

| NOTES   |
|---|
| <p>A. Use Combi C2 or C4 full size pins for all COMBI Cylinders <b>except</b> SFIC. See page 109.</p> <p>B. Keys must be cut on code machine with Best, Falcon, Depths and Spacing. Keys cannot be punched.</p> |





## CRP COMBI PINNING KITS

**COMBI C2 / C4 Full Size Pinning Kit**  
**DUAL COMBI A2 / A4 / C2 / C4**  
**Small Format & Full Size Pinning Kit**

| ACCESSORIES  |  |   |   |
|--|--|---|---|
| A2 SFIC PINS   |  | C2 FULL SIZE PINS   | C4 FULL SIZE PINS   |
| <p><b>(2-19) Master Pins</b></p> <ul style="list-style-type: none"> <li>• KP-I-2M</li><li>• KP-I-3M</li><li>• KP-I-4M</li><li>• KP-I-5M</li><li>• KP-I-6M</li><li>• KP-I-7M</li><li>• KP-I-8M</li><li>• KP-I-9M</li><li>• KP-I-10M</li><li>• KP-I-11M</li><li>• KP-I-12M</li><li>• KP-I-13M</li><li>• KP-I-14M</li><li>• KP-I-15M</li><li>• KP-I-16M</li><li>• KP-I-17M</li><li>• KP-I-18M</li><li>• KP-I-19M</li> </ul> | <p><b>(1-11) Master Pins</b></p> <ul style="list-style-type: none"> <li>• KP-I4-1M</li><li>• KP-I4-2M</li><li>• KP-I4-3M</li><li>• KP-I4-4M</li><li>• KP-I4-5M</li><li>• KP-I4-6M</li><li>• KP-I4-8M</li><li>• KP-I4-9M</li><li>• KP-I4-10M</li><li>• KP-I4-11M</li> </ul> | <p><b>(2-9) Master Pins</b></p> <ul style="list-style-type: none"> <li>• KP-I-2M</li><li>• KP-I-3M</li><li>• KP-I-4M</li><li>• KP-I-5M</li><li>• KP-I-6M</li><li>• KP-I-7M</li><li>• KP-I-8M</li><li>• KP-I-9M</li> </ul>   | <p><b>(1-5) Master Pins</b></p> <ul style="list-style-type: none"> <li>• KP-C4-1M</li><li>• KP-C4-2M</li><li>• KP-C4-3M</li><li>• KP-C4-4M</li><li>• KP-C4-5M</li> </ul>                    |
| <p><b>(0-9) Bottom Pins</b></p> <ul style="list-style-type: none"> <li>• KP-I-0B</li><li>• KP-I-1B</li><li>• KP-I-2B</li><li>• KP-I-3B</li><li>• KP-I-4B</li><li>• KP-I-5B</li><li>• KP-I-6B</li><li>• KP-I-7B</li><li>• KP-I-8B</li><li>• KP-I-9B</li> </ul>  | <p><b>(0-5) Bottom Pins</b></p> <ul style="list-style-type: none"> <li>• KP-I4-0B</li><li>• KP-I4-1B</li><li>• KP-I4-2B</li><li>• KP-I4-3B</li><li>• KP-I4-4B</li><li>• KP-I4-5B</li> </ul>  | <p><b>(0-9) Bottom Pins</b></p> <ul style="list-style-type: none"> <li>• KP-C2-0B</li><li>• KP-C2-1B</li><li>• KP-C2-2B</li><li>• KP-C2-3B</li><li>• KP-C2-4B</li><li>• KP-C2-5B</li><li>• KP-C2-6B</li><li>• KP-C2-7B</li><li>• KP-C2-8B</li><li>• KP-C2-9B</li> </ul> | <p><b>(0-5) Bottom Pins</b></p> <ul style="list-style-type: none"> <li>• KP-C4-0B</li><li>• KP-C4-1B</li><li>• KP-C4-2B</li><li>• KP-C4-3B</li><li>• KP-C4-4B</li><li>• KP-C4-5B</li> </ul> |
| <p><b>KP-I</b></p> <ul style="list-style-type: none"> <li>• SFIC pins for keying (same as BEST A2)</li> </ul>  | <p><b>KP-I4</b></p> <ul style="list-style-type: none"> <li>• SFIC pins for keying (same as BEST A4)</li> </ul>   | <p><b>KP-C2</b></p> <ul style="list-style-type: none"> <li>• Full size pins C2 large diameter cylinders</li> </ul>  | <p><b>KP-C4</b></p> <ul style="list-style-type: none"> <li>• Full size pins C4 large format diameter cylinders</li> </ul>   |

| PARTS KIT FOR KK-COS-NS   | KEYS   |
|---|--|
| <p> <b>KT-H-PK</b><br/> <ul style="list-style-type: none"> <li>• KIKLCAP-01</li><li>• KIKLCAP-02</li><li>• LZTPSD-01</li><li>• LZTPDD-01</li><li>• LZTPDD-02</li><li>• TPWASHER</li><li>• KIKLZTP-01</li><li>• KIKLZTP-02</li><li>• KIKLZTP-03</li><li>• KIKLZTP-04</li><li>• KIKLZTP-05</li><li>• KIKLZTP-06</li> </ul> </p> | <p> <b>KBCOS6</b><br/>                     COMBI 6-Pin key blank<br/> <b>COSCK</b><br/>                     COMBI 6-Pin Large Format IC control key                 </p> |

