

DB5000

GRADE 2 ELECTRONIC DEADBOLT COMPATIBLE WITH APPLE AND ANDROID PHONES



- **APPLE AND ANDROID COMPATIBLE**
- **BLE (BLUETOOTH LOW ENERGY) MANAGEMENT**
- **OPTIONAL GATEWAY CONNECTIVITY (REMOTE MANAGEMENT THROUGH THE INTERNET)**
- **TIMESTAMPED ACCESS LOG (AUDIT TRAIL)**
- 1 ADMIN PHONE PER DEADBOLT
- 49 CLIENT PHONES PER DEADBOLT
- 10,000 AUDIT TRAIL ENTRIES
- INDIVIDUAL USER ACCESS MODE
- OPTIONAL AUTO RE-LOCKING
- DOOR JAM PROTECTOR
- SMART L / R HANDING LEARNING
- KEY / THUMB-TURN TURNING DETECTOR
- ONE ADMIN PHONE CAN MANAGE UP TO 250 DEADBOLTS
- WEATHER RESISTANT
- ANTI-TAMPER LOCKOUT
- LOW BATTERY WARNING
- EASY INSTALLATION & PROGRAMMING
- 1 YEAR ELECTRONIC WARRANTY



EXTERIOR



INTERIOR



BLEGW-99 (optional)
Internet to Bluetooth signal
converter (BRIDGE)

SPECIFICATIONS

APPLICATIONS

For residential and standard duty commercial applications.

DOOR RANGES

1 3/8" to 1 3/4" thickness

BACKSET

Adjustable 2 3/8" (60mm) or 2 3/4" (70mm)

LATCH FACEPLATE

2 1/4" x 1"

STRIKES

Deadbolt strike 1 1/8" x 2 3/4". Optional strikes available.

POWER SUPPLY

4 AA 1.5V Alkaline Batteries (comes standard in packing).

RADIO FREQUENCY

Bluetooth radio frequency: 2.4 GHz

OPTIONAL GATEWAY CONNECTIVITY

Optional BLE Gateway connectivity for remote lock management.

CYLINDER & KEYWAYS

6 pin solid brass "C" keyway standard. Schlage E, Schlage C-K, Russwin D1-2-3-4, Corbin 59 / 60, Corbin-Russwin L4, Sargent LA-LB-LC, Falcon / Weiser E, Arrow A, Yale 8, Yale GA and Kwikset. Can also accept Medeco, Assa, Kaba and Cal-Royal (HSK) High Security Cylinders.

WEATHER RESISTANT

All models are weather resistant for operating temperature ranges of +149°F to -4°F (+65°C to -20°C) and storage temperature ranges of +176°F to -22°F (+80°C to -30°C).

BLUETOOTH CONNECTIVITY

Lock can be managed / synced using the K3 (Apple) and K3+ (Android) app.

ACCESS LOG (AUDIT TRAIL)

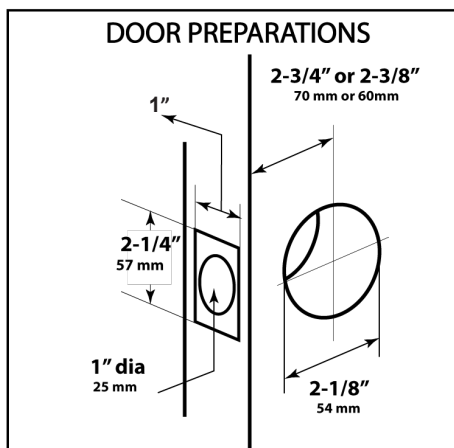
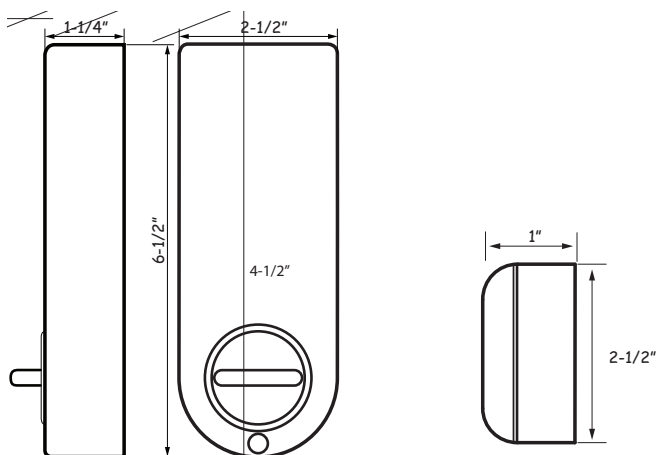
The K3 app features a 24 / 7 activity log, so you can keep track which client accessed the lock. A time stamped access log can be shared by the Admin phone via email. 10,000 audit trail entries.

FEATURES

FINISHES AVAILABLE		
BHMA SYMBOL	US CODE	DESCRIPTION
626	US26D	Satin Chrome
619	US15	Satin Nickel
613	US10B	Oil Rubbed Bronze
605	US3	Polished Brass

Refer to price list for stock finishes and functions

TECHNICAL SPECS	
Operating Voltage	4x AA 1.5V Alkaline
Operating Temperature	+149°F to -4°F (+65°C to -20°C)
Storage Temperature	+176°F to -22°F (+80°C to -30°C)
User ID Capacity	1 Admin + 49 Client Phones



- **Apple and Android Compatible** – iPhone 4S or above with iOS 8.0 and above. Android 4.3 or above with Bluetooth Low Energy capability.
- **Gateway Connectivity** – optional gateway device to connect compatible locks to the internet, so users can manage locks remotely.
- **Bluetooth Connectivity** – lock can be managed / synced using the K3 (Apple) and K3 (Android phones without NFC) and K3+ (Android phones with NFC) app.
- **Admin Phone** – a lock can only have one Administrator Phone at a time. Only smartphones are used as an Administrator. One admin phone can manage up to 250 deadbolts.
- **Access Log (Audit Trail)** – the K3 app features a 24 / 7 activity log, so you can keep track of who accessed the lock. A timestamped access log can be shared by the Admin phone via email. 10,000 audit trail entries.
- **Optional Auto Re-locking** – Admin has the option to set time for deadbolt to automatically re-lock, from 10-250 seconds.
- **Passage Mode** – disable auto re-locking feature.
- **Restricted Access Right** – DB5000 can be programmed to specify the access period or intervals of users
- **Weather Resistant** – the DB5000 is designed to ensure that the internal electronic parts are protected from moisture, dust, water and corrosion. All models are weather resistant with operating temperature of +149°F to -4°F (+65°C to -20°C) and storage temperature of +176°F to -22°F (+80°C to -30°C).
- **Low Battery Warning** – when voltage is lower than safety power, the deadbolt gives warning beeps after successfully unlocking the device.
- **Smart L / R Learning** – DB5000 can test and learn the handing of the door.
- **Door Jam Protector** – if the bolt fails to retract or project, due to any obstacles (e.g. door frame is not aligned with the door), DB will detect it and will stop turning the motor after a few tries. This is to prevent it from over-heating which could cause permanent damage to the circuit boards.
- **Key / Thumb-turn Turning Detector** – when operating the deadbolt by mechanical ways such as using keys or turning the thumb-turn, DB will detect it and include it in the access log.

