

 Hinge or  
Pivot

OPENING	DIM. A
To 120°	6-1/2" (165.1mm)
120°-180°	4" (101.6mm)


**Fasteners:**

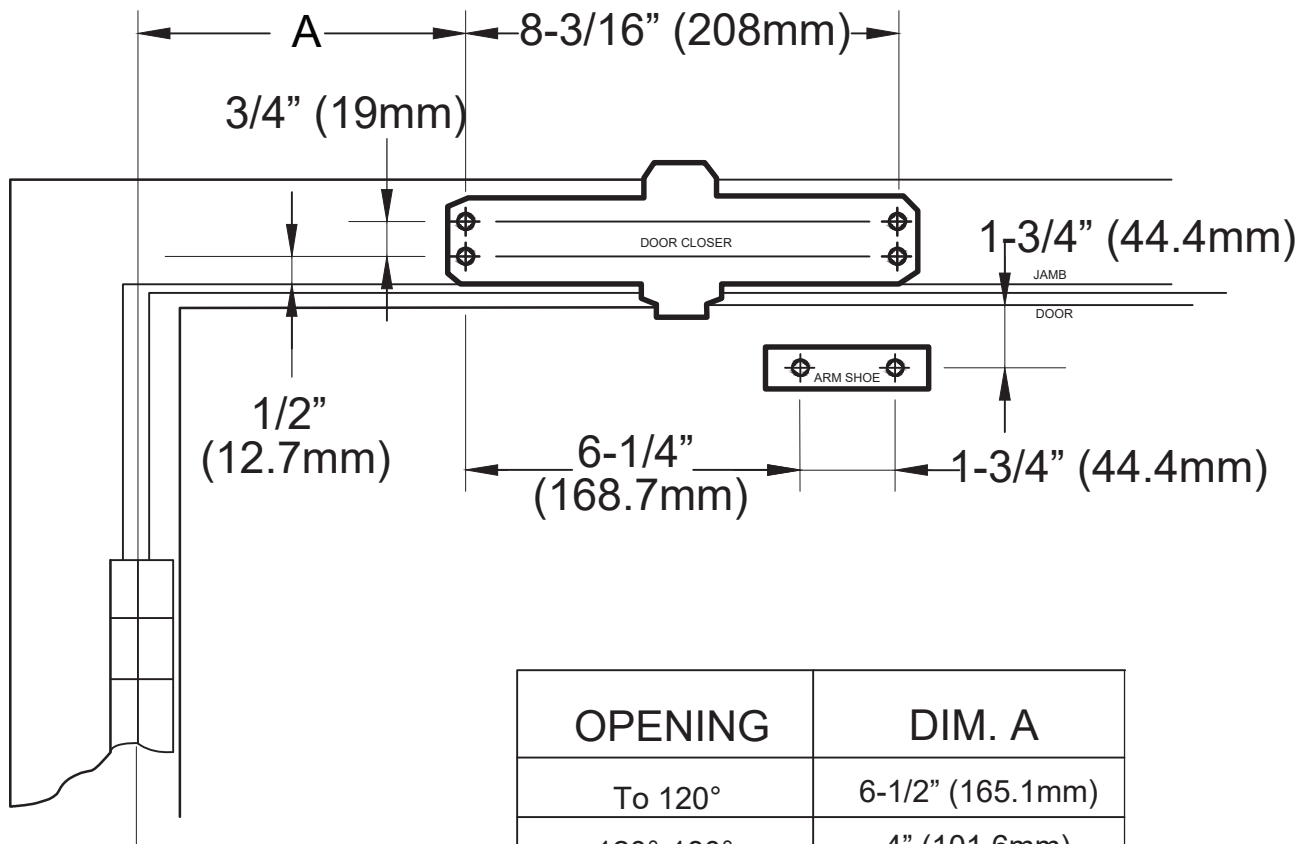
- # 1/2 - 20 Machine Screw
- # 14 all - purpose screws


**NOTE:** Illustration shows LEFT HAND DOOR configuration. For RIGHT HAND DOOR, reverse template.

The illustration and technical description in this cut sheet is current as of the date in version date on the right.

Cal-Royal Product reserves the right to, and may, on occasions, make changes and/or improvements in designs and dimensions without prior notice.

	6605 Flotilla Street City of Commerce CA 90040 USA Tel.# (323) 888-6601 FAX # (323) 888-6699 WEB SITE: CAL-ROYAL.COM Email: sales@cal-royal.com	ITEM NO.  720 SERIES SIZE 2	DESCRIPTION  720 DOOR CLOSER REGULAR ARM INSTALLATION TEMPLATE - PULL SIDE	NOT TO SCALE	UNIT  PRIMARY DIMENSION SHOWN IN INCHES, DIMENSIONS IN ( ) ARE MM	Prepared By: BBT / ADG / CVL	DATE 04/21/2022	DWG. NO. DCT1030-A
				PAGE 1 of 1	REV ---			



 Hinge or  
Pivot

OPENING	DIM. A
To 120°	6-1/2" (165.1mm)
120°-180°	4" (101.6mm)


Fasteners:

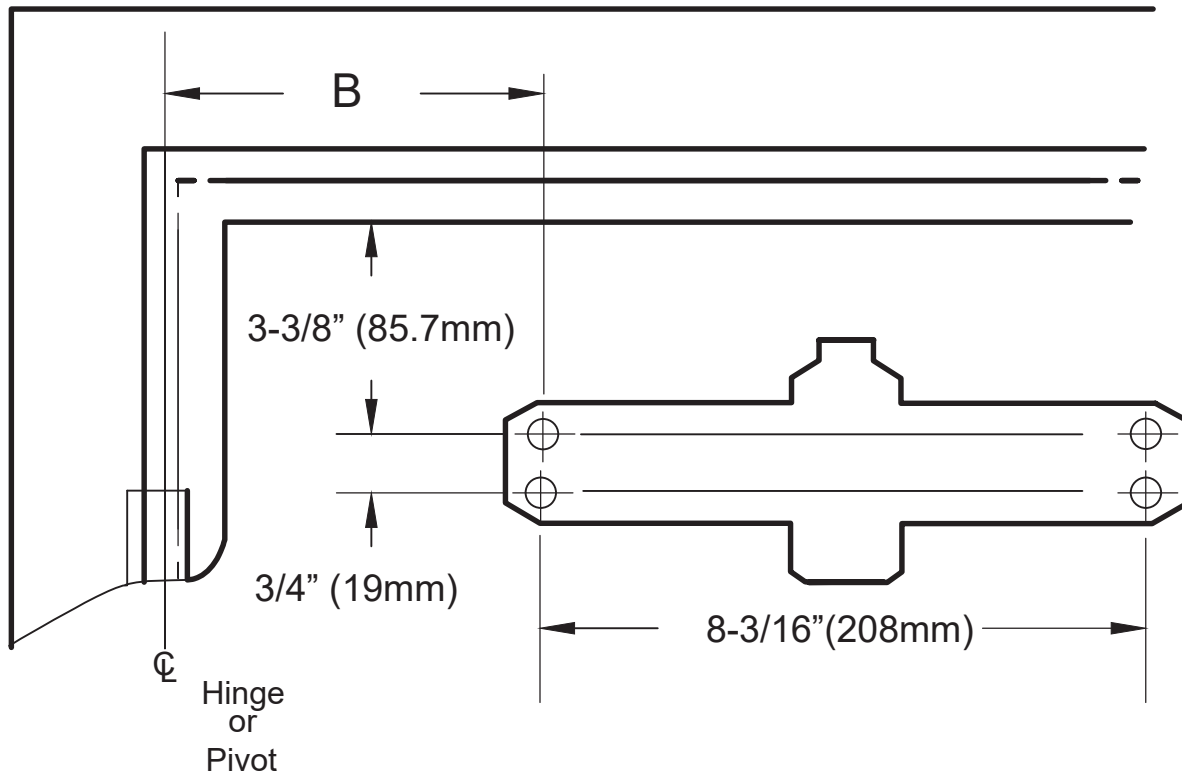
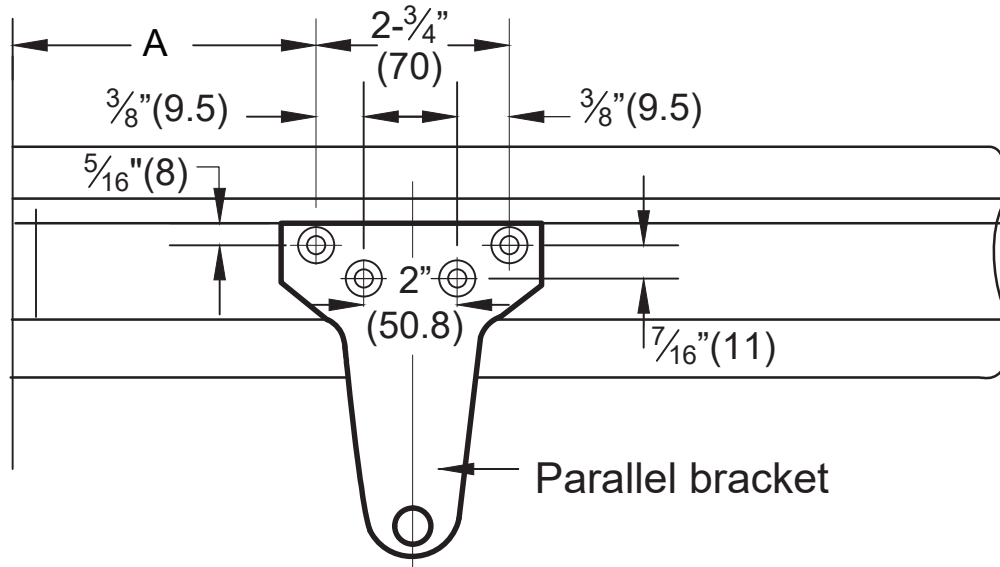
- # 1/2 - 20 Machine Screw
- # 14 all - purpose screws

NOTE: Illustration shows LEFT HAND DOOR configuration. For RIGHT HAND DOOR, reverse template.

The illustration and technical description in this cut sheet is current as of the date in version date on the right.

Cal-Royal Product reserves the right to, and may, on occasions, make changes and/or improvements in designs and dimensions without prior notice.

	6605 Flotilla Street City of Commerce CA 90040 USA Tel.# (323) 888-6601 FAX # (323) 888-6699 WEB SITE: CAL-ROYAL.COM Email: sales@cal-royal.com		ITEM NO. 720 SERIES SIZE 2	DESCRIPTION 720 DOOR CLOSER TOP JAMB INSTALLATION TEMPLATE - PUSH SIDE	NOT TO SCALE PAGE 1 of 1	UNIT PRIMARY DIMENSION SHOWN IN INCHES, DIMENSIONS IN ( ) ARE MM	Prepared By: BBT / ADG / CVL	DATE 04/21/2022	DWG. NO. DCT1030-B REV ---
--	--	--	----------------------------------	---	-----------------------------------	--	---------------------------------	--------------------	----------------------------------



**Fasteners:**

- # 1/2 - 20 Machine Screw
- # 14 all - purpose screws

OPENING	DIM. A	DIM. B
To 120°	8-5/8" (219mm)	7-13/16" (198.4mm)
120°-180°	6-9/16" (166.7mm)	5-5/8" (142.9mm)

**NOTE:** Illustration shows LEFT HAND DOOR configuration. For RIGHT HAND DOOR, reverse template.

The illustration and technical description in this cut sheet is current as of the date in version date on the right.

Cal-Royal Product reserves the right to, and may, on occasions, make changes and/or improvements in designs and dimensions without prior notice.

	6605 Flotilla Street City of Commerce CA 90040 USA Tel.# (323) 888-6601 FAX # (323) 888-6699 WEB SITE: CAL-ROYAL.COM Email: sales@cal-royal.com	ITEM NO. 720 SERIES SIZE 2	DESCRIPTION 720 DOOR CLOSER PARALLEL ARM INSTALLATION TEMPLATE - PUSH SIDE	NOT TO SCALE	UNIT PRIMARY DIMENSION SHOWN IN INCHES, DIMENSIONS IN ( ) ARE MM	Prepared By: BBT / ADG / CVL	DATE 04/21/2022	DWG. NO. DCT1030-C
				PAGE 1 of 1	REV ---			