

**Hinge or
Pivot**

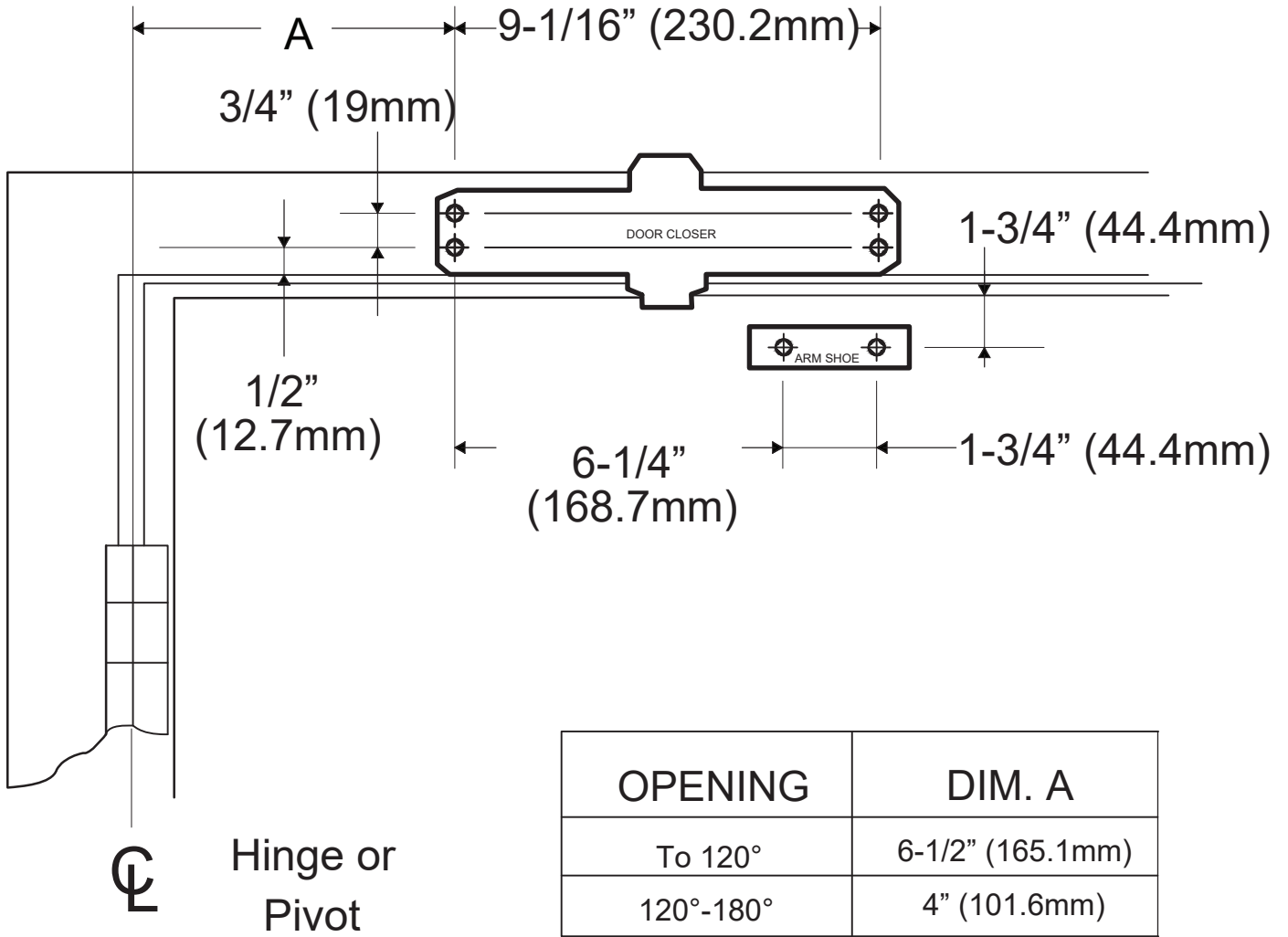
OPENING	DIM. A
To 120°	6-1/2" (165.1mm)
120°-180°	4" (101.6mm)

Fasteners:

- # 1/2 - 20 Machine Screw
- # 14 all - purpose screws

The illustration and technical description in this cut sheet is current as of the date in version date on the right.
 Cal-Royal Product reserves the right to, and may, on occasions, make changes and/or improvements in designs and dimensions without prior notice.

	6605 Flotilla Street City of Commerce CA 90040 USA Tel.# (323) 888-6601 FAX # (323) 888-6699 WEB SITE: CAL-ROYAL.COM Email: sales@cal-royal.com		ITEM NO. 750 SERIES SIZE 5	DESCRIPTION 750 DOOR CLOSER REGULAR ARM INSTALLATION TEMPLATE-PULL SIDE	NOT TO SCALE PAGE 1 of 1	UNIT PRIMARY DIMENSION SHOWN IN INCHES, DIMENSIONS IN () ARE MM	Prepared By: BBT / ADG / CVL	DATE 04/25/2022	DWG. NO. DCT1033-A REV ---
--	--	--	----------------------------------	--	-----------------------------------	--	---------------------------------	--------------------	----------------------------------



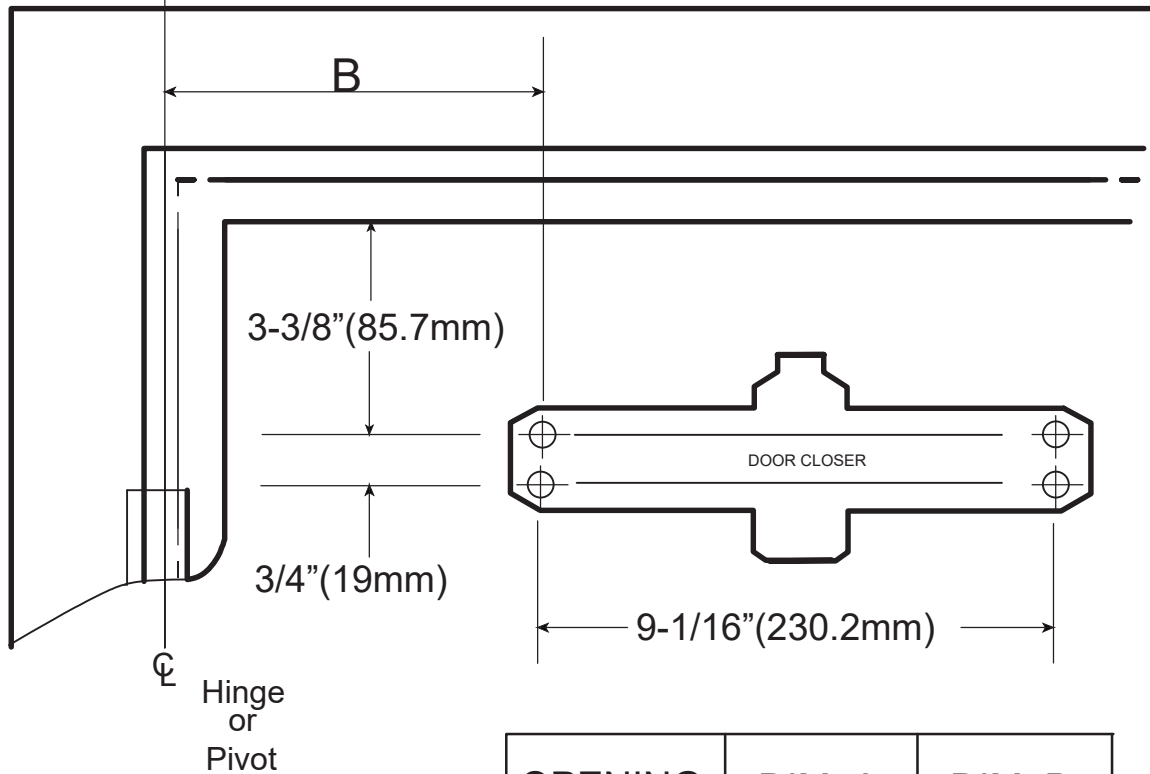
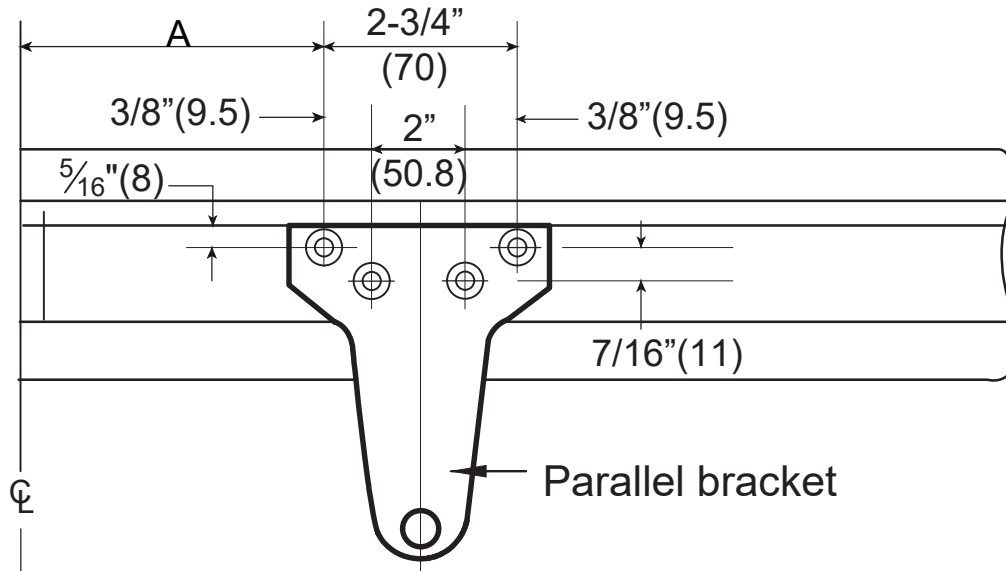
OPENING	DIM. A
To 120°	6-1/2" (165.1mm)
120°-180°	4" (101.6mm)

Fasteners:

- # 1/2 - 20 Machine Screw
- # 14 all - purpose screws

The illustration and technical description in this cut sheet is current as of the date in version date on the right.
 Cal-Royal Product reserves the right to, and may, on occasions, make changes and/or improvements in designs and dimensions without prior notice.

	6605 Flotilla Street City of Commerce CA 90040 USA Tel.# (323) 888-6601 FAX # (323) 888-6699 WEB SITE: CAL-ROYAL.COM Email: sales@cal-royal.com	ITEM NO. 750 SERIES SIZE 5	DESCRIPTION 750 DOOR CLOSER TOP JAMB INSTALLATION TEMPLATE-PUSH SIDE	NOT TO SCALE	UNIT PRIMARY DIMENSION SHOWN IN INCHES, DIMENSIONS IN () ARE MM	Prepared By: BBT / ADG / CVL	DATE 04/25/2022	DWG. NO. DCT1033-B
				PAGE 1 of 1	REV ---			



OPENING	DIM. A	DIM. B
To 120°	8-5/8" (219mm)	6-15/16" (176.2mm)
120°-180°	6-9/16" (166.7mm)	5-13/16" (131.8mm)

Fasteners:

- # 1/2 - 20 Machine Screw
- # 14 all - purpose screws

The illustration and technical description in this cut sheet is current as of the date in version date on the right.
 Cal-Royal Product reserves the right to, and may, on occasions, make changes and/or improvements in designs and dimensions without prior notice.

	6605 Flotilla Street City of Commerce CA 90040 USA Tel.# (323) 888-6601 FAX # (323) 888-6699 WEB SITE: CAL-ROYAL.COM Email: sales@cal-royal.com		ITEM NO. 750 SERIES SIZE 5	DESCRIPTION 750 DOOR CLOSER PARALLEL ARM INSTALLATION TEMPLATE-PUSH SIDE	NOT TO SCALE PAGE 1 of 1	UNIT PRIMARY DIMENSION SHOWN IN INCHES, DIMENSIONS IN () ARE MM	Prepared By: BBT / ADG / CVL	DATE 04/25/2022	DWG. NO. DCT1033-C REV ---
--	--	--	----------------------------------	---	-----------------------------------	--	---------------------------------	--------------------	----------------------------------