

DIB1 ADJUSTABLE DRIVE-IN BALL CATCH

Features

- Jamb-mounted lip strike

Application

- Generally used on closet doors where latch is not used or needed

Bore

- 15/16"

Material

- Die Cast

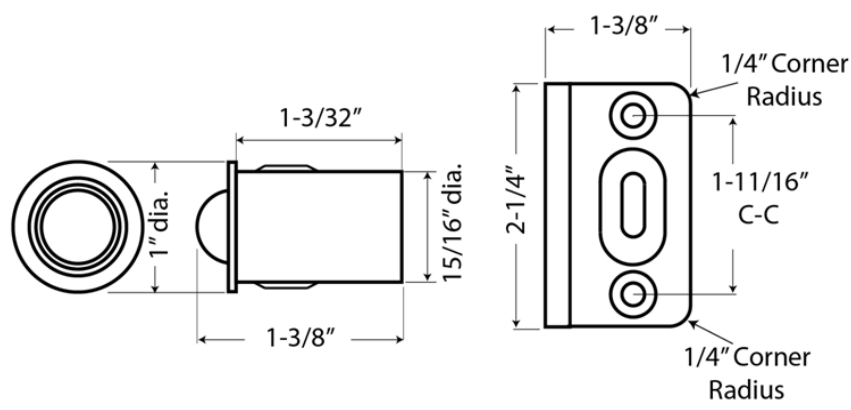
Finishes

- US3 - Bright Brass
- US5 - Satin Brass, Oxidized
- US10B - Antique Bronze
- US15 - Satin Nickel
- US15A - Satin Nickel, Oxidized
- US26 - Bright Chrome
- US26D - Satin Chrome
- US1 - Black



Code Compliance

- Conforms to ANSI/BHMA A156.9 B23013



CAL-ROYAL PRODUCTS, INC.

6605 Flotilla St., City of Commerce, CA 90040 U.S.A.
 Phone: (323) 888-6601 • (800) 876-9258 • Fax: (323) 888-6699 • (800) 222-3316
 Email: sales@cal-royal.com • Website: www.cal-royal.com

The illustration and technical description in this cut sheet is current as of the date in the version date on the right. Cal-Royal Product reserves the right to, and may, on occasions, make changes and/or improvements in designs and dimensions without prior notice.

2019 01
YEAR PRINTED VERSION NO.

© Cal-Royal Products, Inc. 2019