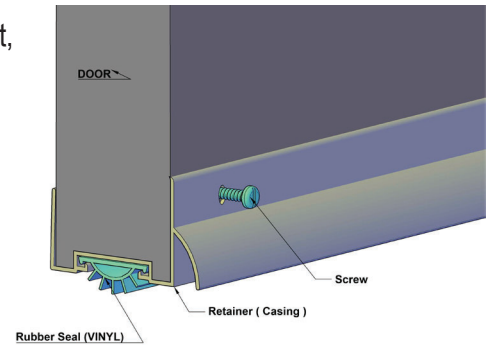
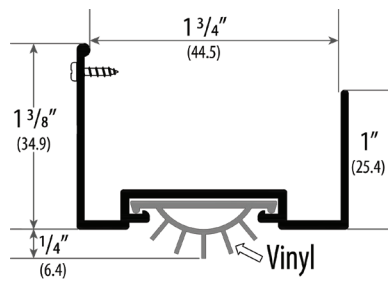


SPECIFICATIONS

- » Door Shoe is applied to the underside of the door creating a barrier against dust, drafts, light, smoke, and fire without compromising the aesthetics of the door.
- » It is also used to provide protection for the bottom of the door.
- » It consists of Aluminum Channel with a flexible Vinyl Insert.
- » Channels are punched with slotted holes for easy adjustment.
- » Used on either Wood or Hollow Metal doors.
- » Also available with a rain drip design (*prefix DSR*), which deflects water from the door as well as sealing the bottom of the door.

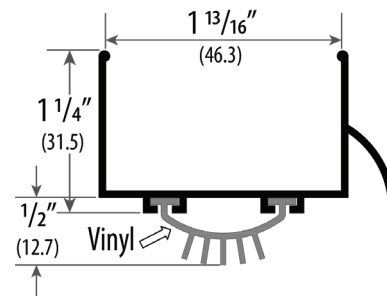


Testing / Ratings: for DSR-407,
DS-403, DS-404, DSR-410



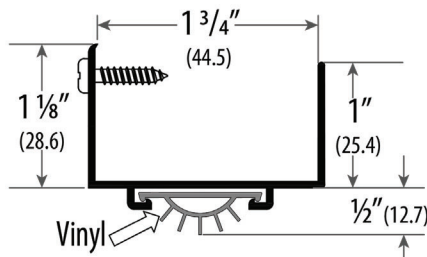
DS-403

Finish Options: AV, DV
Length Available: 36", 48"
Width: 1 3/4" (44.5mm)
Profile Height: 1 3/8" (34.9mm)
Total Height with Insert: Approx. 1 5/8" (41.3mm)
Comes Standard with #6 x 5/8" PPHSMS



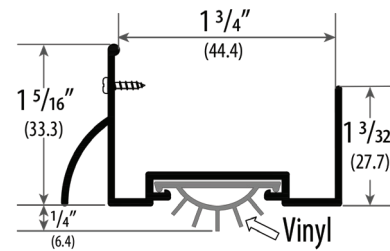
DSR-407

Finish Options: AV, DV
Length Available: 36", 48"
Width: 1 13/16" (46.3mm)
Profile Height: 1 1/4" (31.5mm)
Total Height with Insert: Approx. 1 3/4" (44.2mm)
Comes Standard with #6 x 5/8" PPHSMS



DS-404

Finish Options: AV, DV
Length Available: 36", 48"
Width: 1 3/4" (44.5mm)
Profile Height: 1 1/8" (28.6mm)
Total Height with Insert: Approx. 1 5/8" (41.3mm)
Comes Standard with #6 x 5/8" PPHSMS



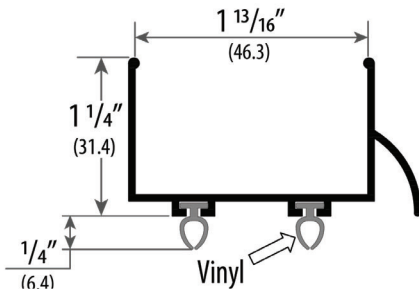
DSR-410

Finish Options: AV, DV
Length Available: 36", 48"
Width: 1 3/4" (44.4mm)
Profile Height: 1 5/16" (33.3mm)
Total Height with Insert: Approx. 1 9/16" (39.7mm)
Comes Standard with #6 x 5/8" PPHSMS

Note: Products shown in this section are not drawn to scale.

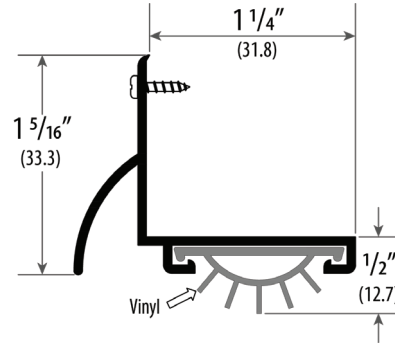
Available Finishes: AV (Mill Finish Aluminum with Vinyl Insert) | DV (Dark Bronze Anodized Aluminum with Vinyl Insert)

Testing / Ratings: for DSR-406,
DSR-408, DS-413, DS-414



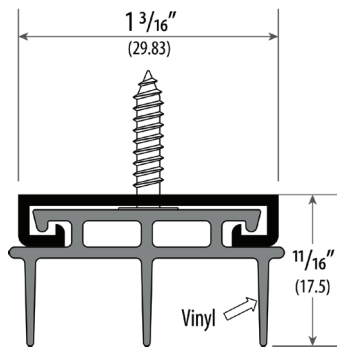
DSR-406

Finish Options: AV, DV
Length Available: 36", 48"
Width: 1 13/16" (46.3mm)
Profile Height: 1 1/4" (31.4mm)
Total Height with Insert: Approx. 1 1/2" (37.8mm)
Comes Standard with #6 x 5/8" PPHSMS



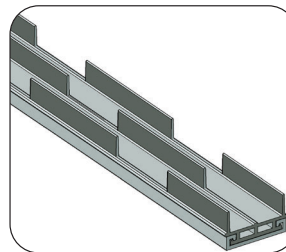
DSR-408

Finish Options: AV, DV
Length Available: 36", 48"
Width: 1 1/4" (31.8mm)
Profile Height: 1 5/16" (33.3mm)
Total Height with Insert: Approx. 1 7/8" (47.6mm)
Comes Standard with #6 x 5/8" PPHSMS

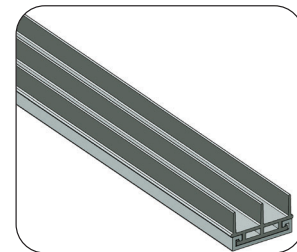


DS-413 / DS-414

Finish Options: AV, DV
Length Available: 36", 48"
Width: 1 3/16" (29.83mm)
Total Height with Insert: Approx. 1 1/16" (17.5mm)
Comes Standard with #6 x 5/8" PPHSMS



DS-413
(with Notched Fins)



DS-414
(without Notched Fins)

Note: Products shown in this section are not drawn to scale.

Available Finishes: AV (Mill Finish Aluminum with Vinyl Insert) | DV (Dark Bronze Anodized Aluminum with Vinyl Insert)