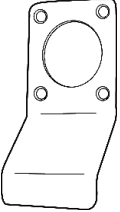
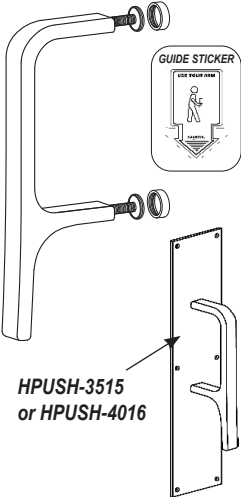


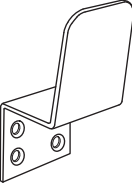
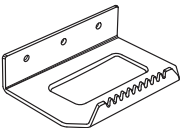


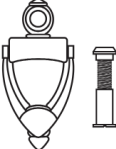



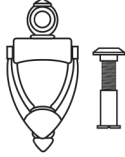
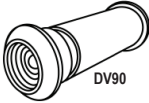

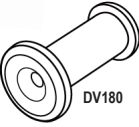
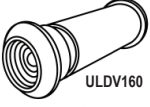





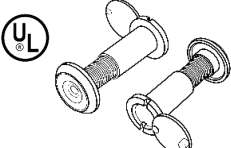



DOOR PULLS

ILLUSTRATION	ITEM NO	DESCRIPTION	FINISH	INNER QTY	MASTER QTY	UNIT
	PUL-175	Night Latch Cylinder Pull Cylinder Hole: 1 3/16" diameter Height: 3 1/2" Pull Projection: 1" Stainless Steel Material	US32D			Each
			US10B	20	200	Each
	HPUL-850	Modern Hospital Double Pull Arm with Microban Anti-Microbial Coating packed with thru-bolt and finish washer includes guide sticker 8 1/2" x 1", 5 1/4" CTC Material Size: 3/8" x 1" Projection: 3 3/4" Aluminum Material	US15			Each
			US1	1	25	Each
		NON-STOCK FINISHES	*Non-Stock finishes available with factory lead time and subject to minimum order quantity. Consult Factory.			
	HPUSH-3515	Modern Hospital Double Pull Arm with Push Plate push plate packed together with HPUL-850 Push Plate Size: 0.050" x 3 1/2" x 15"	US32D			Each
			US1	1	25	Each
	HPUSH-4016	Modern Hospital Double Pull Arm with Push Plate push plate packed together with HPUL-850 Push Plate Size: 0.050" x 4" x 16"	US32D			Each
			US1			
	HFPUL-22	Hands-Free Wrist Door Pull Size: 2" x 2 3/4" Projection: 3" Gauge: 1/8" packed with combination screws	ALUM			Each
			US1	1	80	Each
	HFPUL-41	Hands-Free Foot Door Pull Size: 4 3/8" x 1 1/8" Projection: 3 1/16" Gauge: 1/8" packed with sexbolts & combination screws	US1			Each
			US1	1	80	Each

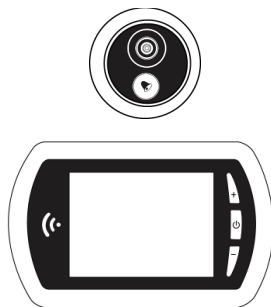
DOOR KNOCKERS AND VIEWERS

	SBDK356	Solid Brass Door Knocker Size: 3" x 6 3/8" Screw Holes: 4 1/8" CTC Similar to IVES#312	US3, 5, 10B, US15, 15A, US26, 26D	10	50	Each
	SSBDK234	Solid Brass Door Knocker Size: 2 1/8" x 3 3/4" Screw Holes: 3 3/8" Similar to IVES#3102	US3 US15, 10B	20	200	Each
	DK93 (Non UL)	Door Knocker With 160° Viewer, 1/2" Bore. Size 1 3/4" x 4" Screw Holes: 2 1/2" CTC	US3, 5, 26D, US15, 15A, 10B	24	240	Each
	ULDK93 (UL Listed)	For Doors 1 3/8" to 1 3/4" Thick	US3, 5, 26D, US15, 10B			

DOOR KNOCKERS AND VIEWERS

ILLUSTRATION	ITEM NO	DESCRIPTION	FINISH	INNER QTY	MASTER QTY	UNIT
	DK94 (Non UL)	Door Knocker With 180° Viewer, 9/16" Bore. Size 2 3/8" x 5 1/2" Screw Holes: 3 3/8" CTC For Doors 1 3/8" to 1 3/4" Thick.	US3, 5, 26D, US15, 15A, US10B	12	120	Each
	DV90	Brass Door Viewer, 160°, 1/2" Bore, Plastic Lens For Doors 1 3/8" to 2 1/4" Thick. ANSI / BHMA L03172	US3, 5, 15, US10B, 26D, US26, 19	24	600	Each
	DV91	Brass Door Viewer, 180°, 1/2" Bore, Plastic Lens For Doors 1 3/8" to 2" Thick.	US3, 5, 15, US10B, 26D, US26, 19	12	600	Each
	DV180	Brass Door Viewer, 180°, 9/16" Bore, Plastic Lens For Doors 1 3/8" to 2" Thick. ANSI / BHMA L03171	US3, 5, US15, 15A, US26D, 26, US10B, 19	12	600	Each
	ULDV160 	UL Listed Door Viewer, 160°, 1/2" Bore; Glass Lens For Doors 1 3/8" to 2" Thick. BHMA L03172	US3, 26, 26D, US10B, 10A, US15, 19	25	1000	Each
	ULDV200 	UL Listed Door Viewer, 200°, 9/16" Bore Glass Lens For Doors 1 3/8" to 2 1/4" Thick.	US3, 26, 26D, US10B, 10A, US15, 19	25	500	Each
	10ULDV201 	UL Listed Door Viewer, 200°, 9/16" Bore Glass Lens For Doors 1" to 1 3/8" Thick.	US3, 10B, US26D, 15	25	500	Each
	PRIULDV200 	UL Listed Privacy Door Viewer UL fire rated for 20 minutes Heavy Duty Privacy Rotating Cover 200° Glass Lens 1" Head diameter; 9/16" Bore Door Thickness: 1 3/8" to 2 1/4"	US3, 10B, US15, 26, 26D US4, US19	25	500	Each
	COV160	1/2" Door Viewer Cover. To be used with DV90, DV91, ULDV160 Door Viewers	US3, 10B, US15, 26D	100	1000	Each
	COV200	9/16" Door Viewer Cover. To be used with DV180, ULDV200, ULDV201 Door Viewers	US3, 10B, US15, 26D	100	1000	Each

ELECTRONIC DIGITAL DOOR VIEWER



ELDVBEL150

- Dia. 1/2" ~ 1 1/8" (13mm ~ 29mm)
Supported Existing Door Bores
- 3.5" TFT, (90mm) 320x240 resolution
LCD Viewer Screen size
- Fully Integrated Digital Camera
and LCD display
- Clear Large Image 0.3 Mega Pixels
CMOS Resolution

SILVER,
DURO,
GOLD

1

20

Each