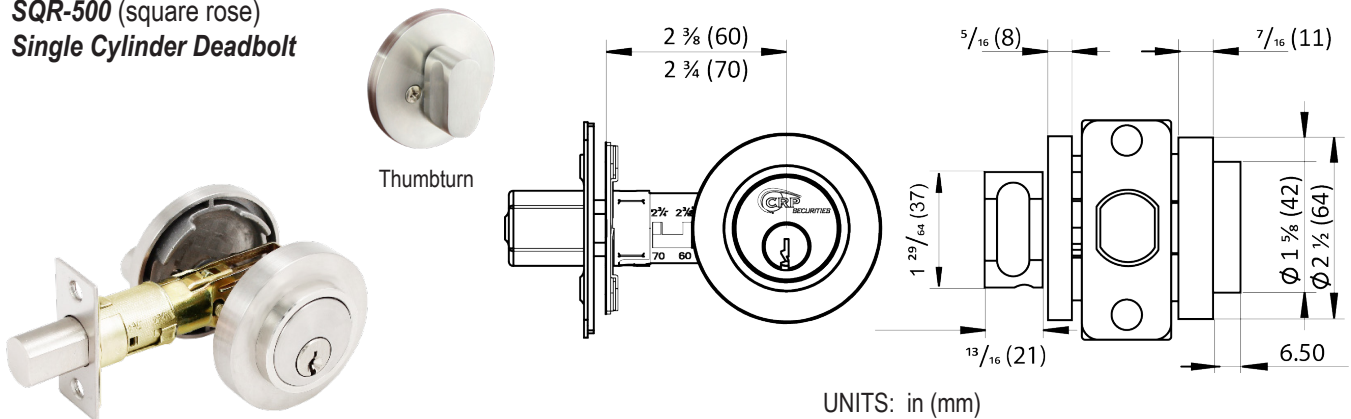
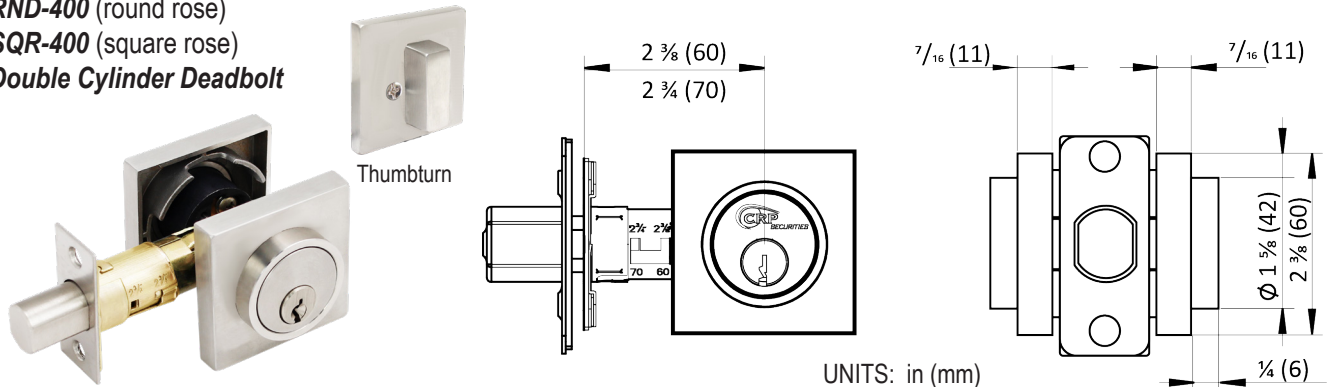


RND-500 (round rose)
SQR-500 (square rose)
Single Cylinder Deadbolt



RND-400 (round rose)
SQR-400 (square rose)
Double Cylinder Deadbolt



APPLICATION

For residential and commercial exterior and interior doors

MATERIAL

Stainless Steel

SPECIFICATIONS

- Latch Bolt: Grade 1, 4-way Drive-In, Brass, Satin Nickel bolt
- Latch Backset: Adjustable 2 3/8 (60) and 2 3/4 (70)
- Handing: Non-Handed
- Latch Faceplate: 1" x 2 1/4" (25 x 57)
- Deadbolt Strike: 1 1/8" x 2 3/4" (29 x 70) square corner (standard)
- Security Strike: 1 1/8" x 2 3/4" x 3/32" (29 x 70 x 2) (standard)
- Cylinder and Keys: Schlage C Keyway, Cylinder 5-pin with 2 keys
Keying service available

MODEL	DESCRIPTION	DOOR THICKNESS
RND-508	SINGLE CYLINDER	1 3/8" (35) - 1 3/4" (45)
RND-504	ROUND ROSE	1 3/4" (45) - 2" (50)
SQR-508	SINGLE CYLINDER	1 3/8" (35) - 1 3/4" (45)
SQR-504	SQUARE ROSE	1 3/4" (45) - 2" (50)
RND-404	DOUBLE CYLINDER	1 3/4" (45) - 2" (50)
SQR-404	DOUBLE CYLINDER	1 3/4" (45) - 2" (50)

DOOR PREPARATION

