

## Delayed Egress Option for 7700 Series Exit Devices Grade 1 ANSI A156.24

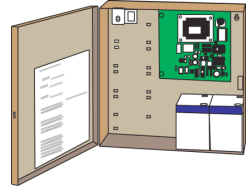
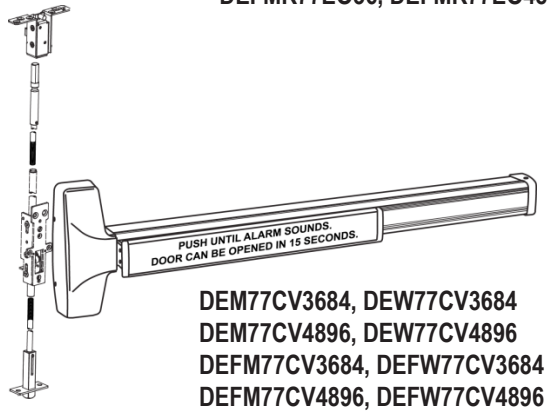
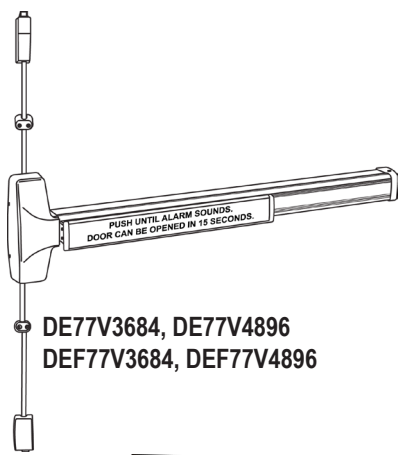
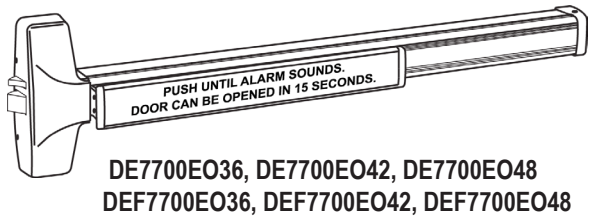
ITEM #	DESCRIPTION	For pricing & availability inquiries contact your Local Distributor or click <a href="#">here</a> for the list of our Sales Reps	UNIT
DE	Delayed Egress Master Option		Ea.
DS	Delayed Egress Slave Option		
CR602RF	Power Supply 12V or 24V DC 1.0 Amp, regulated and filtered		
CR631RF	Power Supply 12V or 24V DC 1.5 Amp, regulated and filtered		
<b>MUST ORDER CR602RF or CR631RF POWER SUPPLY TO HONOR WARRANTY AND UL MARKING</b>			

**Specify:** 7700 Series model after **ITEM#** when ordering, for example: **DE7700EO36** to order Delayed Egress option for 7700 series rim exit devices (**Exit Device priced separately**)

STOCK ITEMS IN US32D FINISHES ONLY			
ITEM#	DESCRIPTION	ITEM#	DESCRIPTION
DE7700EO36	36" non-fire Rim Exit Device	DEMR77EO36R	36" Right Hand non-fire Mortise Rim Exit Device
DEF7700EO36	36" fire rated Rim Exit Device	DEMR77EO36L	36" Left Hand non-fire Mortise Rim Exit Device
DE7720EO42	42" non-fire Rim Exit Device	DEMR77EO48R	48" Right Hand non-fire Mortise Rim Exit Device
DE7720EO48	48" non-fire Rim Exit Device	DEMR77EO48L	48" Left Hand non-fire Mortise Rim Exit Device
DEF7720EO48	48" fire-rated Rim Exit Device	DEM77CV3684L	36" Left Hand Concealed Vertical Rod
		DEM77CV3684R	36" Right Hand Concealed Vertical Rod

For pricing & availability inquiries contact your Local Distributor or click [here](#) for the list of our Sales Reps

**NON-STOCK ITEMS AND FINISHES AVAILABLE ON ORDER WITH FACTORY LEAD TIME**



**CR602RF 1.0 Amp POWER SUPPLY  
CR631RF 1.5 Amp POWER SUPPLY**

- EGRESS DELAY FEATURES**
- All in One Device
  - 15 or 30 second exit delay (Factory set to 15 secs)
  - 1 or 2 second nuisance delay
  - Alarm and Lock reset
  - 1 to 30 second momentary bypass
  - Sustained bypass