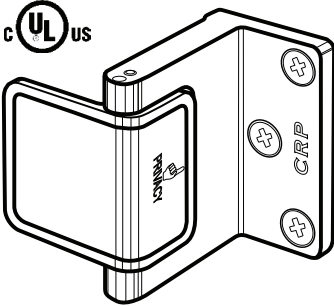
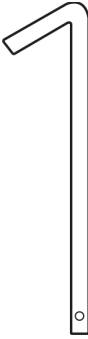
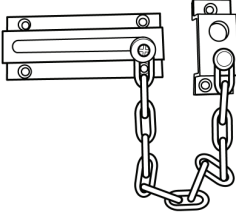
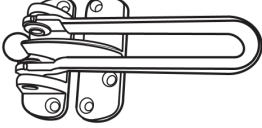
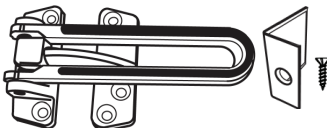
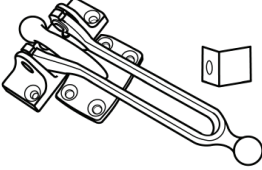






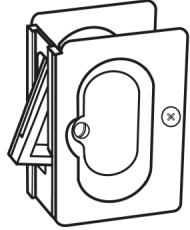
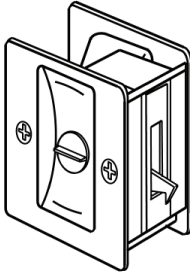

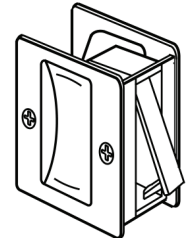
DOOR GUARDS

| ILLUSTRATION | ITEM NO | DESCRIPTION | FINISH | INNER QTY | MASTER QTY | UNIT |
|---|---------|--|--|-----------|------------|------|
|  | HPDL258 | Privacy Door Latch Material: Zinc Die Cast Height: 2 1/8" Width (Base): 1 1/2" Weight: 0.65 lbs/unit Opening Angle: 87° | US3, 4, 10B, US26, 26D, US19 | 10 | 50 | Each |
|  | PDL-200 | Privacy Door Latch Disengage Tool, Material: Steel Height: 9 1/2" Width: 1/2" Hook Length: 2 1/2" Thickness: 0.016" (0.4mm) | No Finish | 1 | 50 | Each |
|  | DG22 | Solid Brass Chain Door Guard, 6 3/4" Chain BHMA L03041 | US3, 5, 26 | 20 | 200 | Each |
|  | BBDHG88 | Zinc Diecast Swing Bar Door Guard with Ball Bearing | US3, 4, 5, 10B US26, 26D, US1 | 10 | 100 | Each |
|  | PDG88 | Diecast Swing Bar Door Guard with Ball Bearing and Protective Rubber Insert On Both Sides Of Arms | US3, 4, US26, 26D, US10B | 10 | 100 | Each |
|  | SBDG00 | Solid Brass Door Guard Packed with Angle Protector. Comparable to IVES 482B, Arm length 4 3/4". With Ball Bearing ANSI / BHMA L03041 | US26D US3, 26, US4, 10B US1, 15 | 10 | 100 | Each |
|  | DAP77 | Door Angle Protector with Adhesive and Individual Screw for secure mounting. To be used with BDHG88 and PDG88 Door Guards. | US3, 4, 5, US26, 26D, US10B | 1 | 200 | Each |

DOOR GUARDS

| ILLUSTRATION | ITEM NO | DESCRIPTION | FINISH | INNER QTY | MASTER QTY | UNIT |
|---|---------|---|--------|-----------|------------|------|
|  | DGS39 | Door Guard Shim to be used when face of door is recessed from face of jamb. Fits under door guard sector which attaches to door. To be used with BBDHG88 and PDG88 . 1/8" Thick. | Black | 100 | 500 | Each |
|  | DGS100 | Door Guard Shim to be used when face of door is recessed from face of jamb. Fits under door guard sector which attaches to door. To be used with SBDG00 . 1/8" Thick. | Black | 100 | 500 | Each |

SLIDING DOOR LOCKS

| | | | | | | |
|---|----------|---|--|----|----|---------------|
|  | PRIPDL21 | Heavy Duty Privacy Sliding Door Lock Function, Standard Door Prep: 2 7/8" x 1 3/4" Can be used on 1 3/8" and 1 3/4" door thickness. | US3, 5, 10B, US15, 15A, US26, 26D | 10 | 50 | Each |
|  | PASPDL34 | Heavy Duty Passage Sliding Door Lock Function, Standard Door Prep: 2 7/8" x 1 3/4" Can be used on 1 3/8" and 1 3/4" door thickness. | US3, 5, 10B, US15, 15A, US26, 26D | 10 | 50 | Each |
|  | SDL16 | Privacy Sliding Door Lock Comparable to Quality No. 101 | US3 US3/26, 5/26 US5, 26, 26D US10B, 10B/26, US15, 15A, 19 | 10 | 50 | Each |
|  SDLPIN not shown to size | SDLPIN | 1 1/8" Long Extension Pin for SDL16 Privacy Function. To be used for 1 3/4" door thickness. | Zinc | 1 | 1 | Each |
|  | SDL17 | Passage Sliding Door Lock Comparable to Quality No. 100 | US3 US3/26, US5, US26, 26D, 10B, US15, 15A, 19 | 10 | 50 | Each 11.28 |