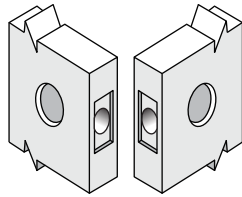


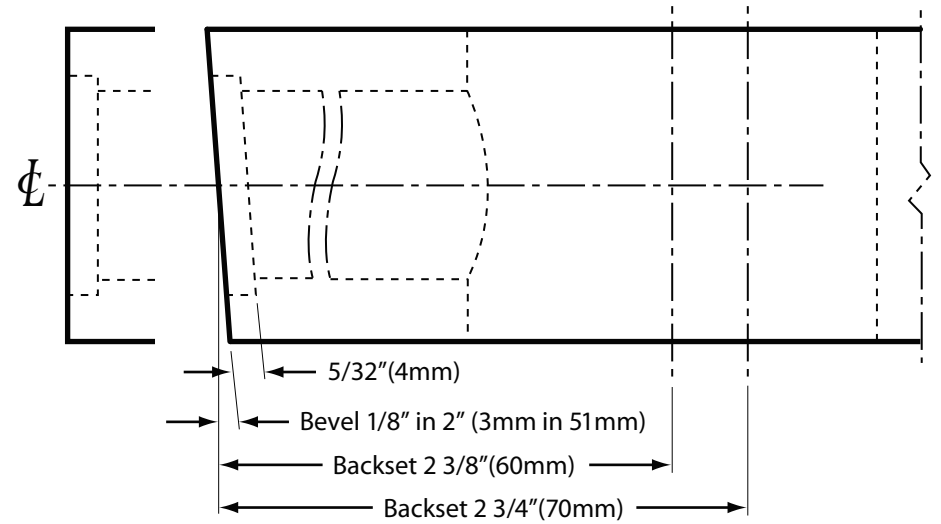
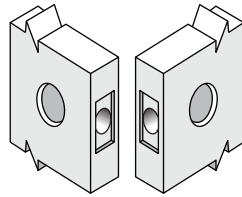
Standard Packaging:

Latchbolt: 2-3/4"
 Face plate: 1-1/8" x 2-1/4"
 ASA-Strike

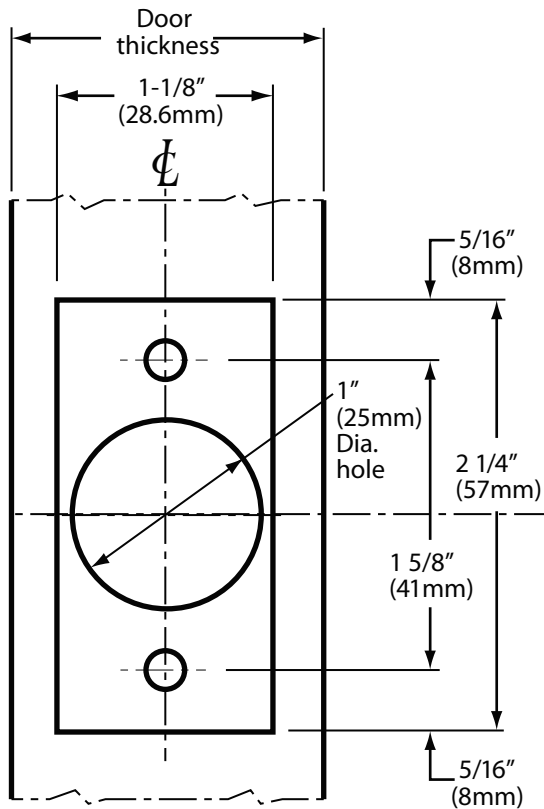
LEFT HANDED DOORS
 OUTSIDE INSIDE



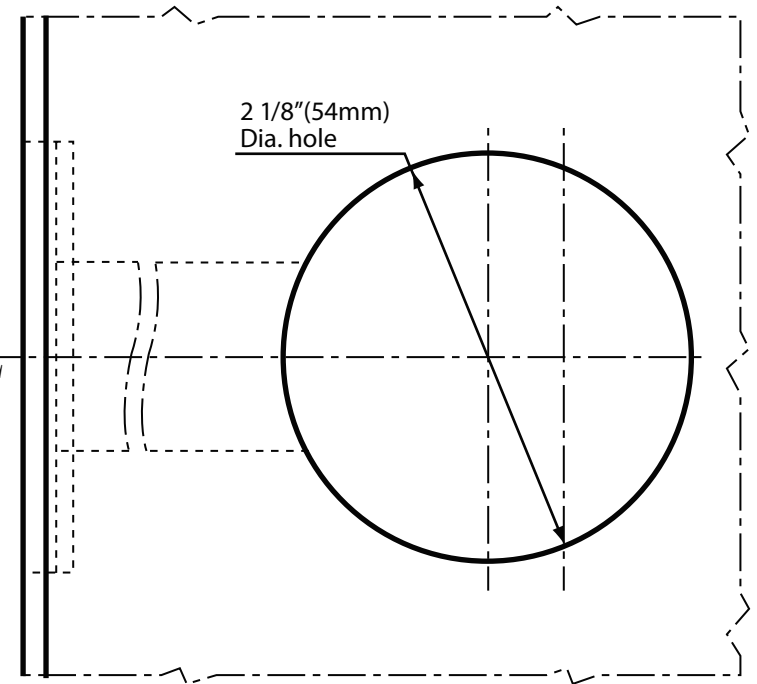
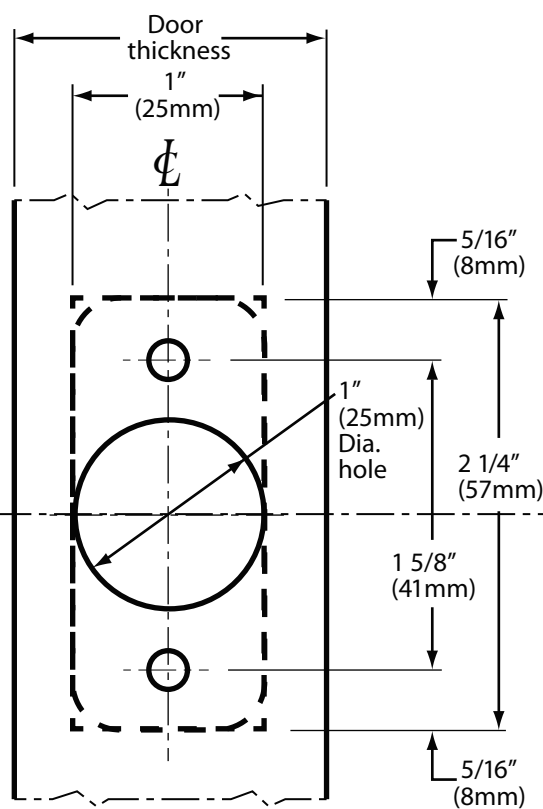
RIGHT HANDED DOORS
 INSIDE OUTSIDE



**Standard 2-3/4" Latch
 Square Corner**



**Optional 2-3/8" Latch
 Round or Square Corner**



6605 Flotilla St.
 City of Commerce
 CA 90040 USA
 Tel: (323) 888-6601
 FAX: (323) 888-6699
 Website: cal-royal.com
 Email: sales@cal-royal.com

ITEM NO.	DESCRIPTION	ANSI	SCALE	UNIT	VERSION
800	EPIC SERIES COMMERCIAL PACKAGING ENTRANCE	A156.2 Grade 2	1 : 1	inches (mm)	ver. 1.0 rev. 04/12
			PAGE 1 OF 1		BY: bteves/sac