

GENESYS Series

ELECTRIFIED CYLINDRICAL LOCKS

Available on Storeroom Only

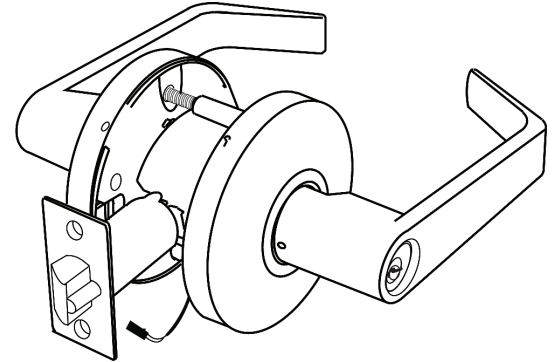
FEATURES:

- UL Listed
- Continuous duty dual solenoids for cooler operation during “continuously ON” applications
- Low current draw
- 3 year “No Hassle” warranty

OPTIONS:

- Voltage requirement - **dual voltage 12-24V (DC)**
- Amperage – 0.38A @ 12V or 0.19A @ 24V
- Power consumption - 4.6 watts
- Function – available Fail Safe, “Electrically Locked” (EL) or Fail Secure, “Electrically Unlocked” (EU)
- **RX Switch** option, use part # **RXCGN**. Add \$67.00 to List Price.

NEW ALL-IN-ONE FEATURE
(Universal Dual Voltage 12 to 24 VDC, Field Convertible EL to EU & Vice Versa)



Available on all Genesys Series lever designs

HOW TO ORDER ELECTRIFIED

E - CGN05 - 1224 - EL - US26D

PREFIX “E” for Electrified
 LEVER DESIGN (CGN)
 LOCK FUNCTION (Storeroom)
 VOLTAGE REQUIREMENT (12-24V)
 FUNCTION (Fail Safe, Electrically Locked)
 FINISH (Satin Chrome)

TO ORDER:

- Prefix “ **E** ” before part #.
- Must specify the following when ordering:
 - lever design: CGN, CAT, CSPA, CTUB, CAUG, CDAN, CLON, or CTAC
 - lock function: “**05**” (Storeroom ONLY)
 - voltage: “**1224**” (12V/24V)
 - function: “**EL**” (fail safe) or “**EU**” (fail secure)
 - finish: see pages L32-L37 for stock finishes

Example: CGN05 US26D, 12-24V fail safe,

Order: “**ECGN051224EL US26D**”

CONSULT FACTORY FOR STOCK FINISHES AND AVAILABILITY

- ⚙️ (IC) Indicates function available with **Best, Falcon, and Arrow** Interchangeable Core.
- ⚙️ (ICSC) Indicates function available with **Schlage** Full Size Interchangeable Core.
- ⚙️ (SARIC) Indicates function available with **Sargent** Full Size Interchangeable Core.
- ⚙️ (RUSIC) Indicates function available with **Corbin / Russwin** Full Size Interchangeable Core.
- ⚙️ (YALIC) Indicates function available with **Yale** Full Size Interchangeable Core. (****only available in GN, AT, SPA lever designs**)

Prices do not include cores. For IC Core pricing see pages L121 – L122. For Keying charges see page L131.

