

FRGCO65 / FRGCO085 UL-GRAVITY DOOR COORDINATOR

Features

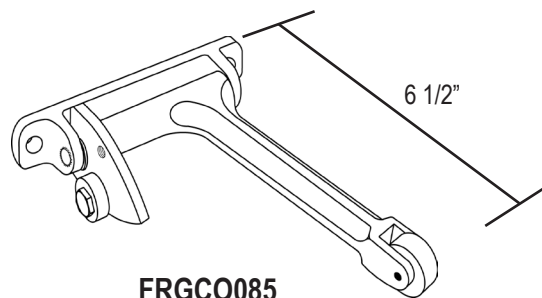
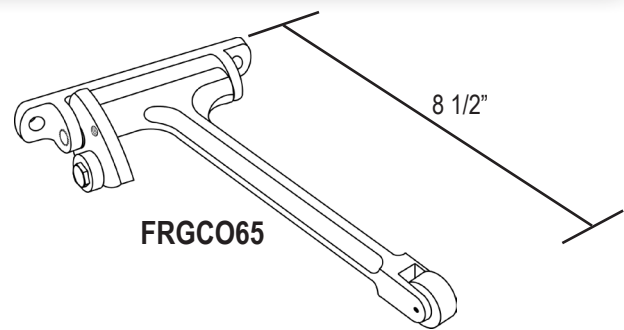
- Designed for use on doors swinging in pairs with or without overlapping astragal, non-handed
- Designed for use on labeled fire doors in combination with Cal-Royal's (AUTOFLM1 or AUTOFLW22) automatic (top) and self-latching (bottom) bolt combination
- Sex bolts required for door bracket for installations on wood covered composite 1-3/4" thick doors
- Unique design including a specially contoured cam with a guiding nylon roller that decreases friction thereby raising efficiency of the hardware system

Finishes

- US3 - Bright Brass
- US4 - Satin Brass
- US5 - Satin Brass, Oxidized
- US10 - Antique Bronze
- US10B - Antique Bronze, Oiled
- US26 - Bright Chrome
- US26D - Satin Chrome

Code Compliance

- Conforms with ANSI/BHMA A156.3, Type 21



CAL-ROYAL PRODUCTS, INC.

6605 Flotilla St., City of Commerce, CA 90040 U.S.A.
 Phone: (323) 888-6601 • (800) 876-9258 • Fax: (323) 888-6699 • (800) 222-3316
 Email: sales@cal-royal.com • Website: www.cal-royal.com

The illustration and technical description in this cut sheet is current as of the date in the version date on the right. Cal-Royal Product reserves the right to, and may, on occasions, make changes and/or improvements in designs and dimensions without prior notice.

2018 01
YEAR PRINTED VERSION NO.

© Cal-Royal Products, Inc. 2018