

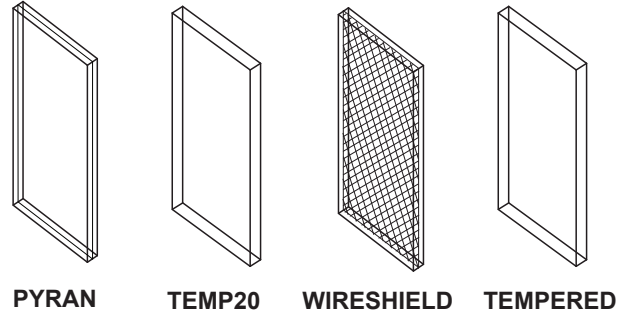
## IN STOCK GLASS / ACCESSORIES

### VISION LITE NARROW & STANDARD PROFILE, 1/4" & 3/16" GLASS THICKNESS

Glass sizes are measured 1" less than the cut out size

I N S T O C K S I Z E S				
GLASS SIZES (W x H)	PPF (3/16")	TEMP20 (1/4")	WS (1/4")	TEMP (1/4")
4" x 34"	AVAIL	AVAIL	AVAIL	AVAIL
5" x 25"	AVAIL	---	---	---
5" x 26"	AVAIL	AVAIL	AVAIL	AVAIL
5" x 71"	AVAIL	---	---	---
6" x 21"	AVAIL	AVAIL	AVAIL	AVAIL
7" x 17"	---	---	AVAIL	---
7" x 23"	---	---	---	AVAIL
7" x 29"	---	---	AVAIL	---
7" x 31"	---	---	AVAIL	AVAIL
7" x 35"	---	---	AVAIL	AVAIL
11" x 11"	AVAIL	AVAIL	AVAIL	AVAIL
23" x 23"	AVAIL	---	AVAIL	AVAIL
23" x 29"	AVAIL	AVAIL	AVAIL	AVAIL
23" x 31"	---	---	AVAIL	AVAIL
23" x 35"	---	---	AVAIL	AVAIL
23" x 63"	---	---	AVAIL	AVAIL

Call our Customer Service for unlisted custom sizes.



### CUSTOM SIZES AVAILABLE

- PPF: Width: 4" to 36"; Height: 4" to 72"
- TEMP20: Width: 4" to 36"; Height: 4" to 77"
- WIRESHIELD: Width: 4" to 36"; Height: 4" to 70"
- TEMPERED: Width: 4" to 36"; Height: 4" to 77"

#### PPF (PYRAN® PLATINUM F, Fire & Safety Rated)

- Fire-Rated up to 90 minutes (180 minutes in doors) with required hose stream test
- Fire and Safety-Rated Glass Impact / Safety Rated to ANSI Z97.1 and CPSC 16CFR1201 CAT II
- Thickness: 3/16" (5mm). Weight: 2.5 lbs / ft.<sup>2</sup>
- Premium glass-ceramic with surface applied heavy duty film
- Transparent and wireless with light transmission at 80% approx.
- Certified C2C-Silver by MBDC and is listed in the EPA's Environmentally Preferable Purchasing (EPP) database and can earn LEED points
- Size: Minimum 4" x 6", Maximum sheet size: 43" x 77"

#### TEMP20 (TEMP20™, Fire & Safety Rated)

- Clear fire rated and impact-safety rated glass for 20 min fire doors
- Transparent and wireless
- Impact-safety rated to ANSI Z97.1 and CPSC 16 CFR1201 CAT I and II
- Tempered glass for safety and security
- Meets NFPA 80 requirements for certification and labeling
- Light Transmission: 90% approx
- Thickness: 1/4" (6 mm)
- Size: Minimum 4" x 4", Maximum sheet size: 36" x 89"

#### WS (PROTECT3™ Wired Safety Glass, Fire Rated)

- Fire Rated up to 90 minutes with hose stream
- UL classified and UL labeled
- Impact-safety rated to ANSI Z97.1 and CPSC 16CFR1201 CAT I and II
- Passes 400 ft-lb impact tests
- Passes air blast testing - minimum Level 3 @ 4.0PSI
- Embedded 3/4" x 3/4" diagonal wire mesh
- Light Transmission: 86% approx
- Thickness: 1/4" (6 mm)
- Annealed single glazing with safety film applied to one side
- Size: Minimum 4" x 4", Maximum sheet size: 48" x 96"

#### TEMP (Tempered Glass)

- Heat-treated clear safety glass that breaks into small particles when broken.
- Light Transmission: 86% approx
- Thickness: 1/4" (6 mm)
- Non-Fire Rated
- Size: Minimum 2" x 2", max sheet size: 87" x 117"

Use of glazing compound or glazing tape on both sides recommended to minimize breakage. Install in fire listed vision frames.