

## MODERN HOSPITAL DOUBLE PULL ARM

### Features

- Hands-free door pull to help against the spread of Corona Virus
- with Microban Anti-Microbial Coating
- Packed with thru-bolt and finish washer for 1 3/4" thick doors
- Includes guide sticker

### Material

- Aluminum

### Dimensions

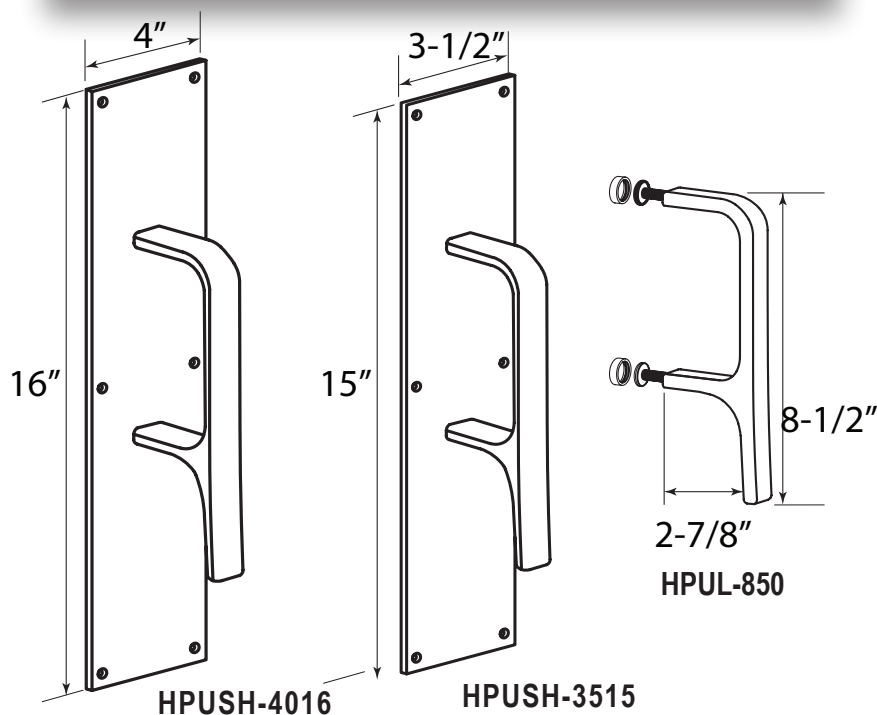
- **HPUL-850** ( 8 1/2" x 1", 5 1/4" CTC )  
Material Size: 3/8" x 1"  
Projection: 3 3/4"
- **HPUSH-3515**  
Push Plate Size: 0.050" x 3 1/2" x 15"
- **HPUSH-4016**  
Push Plate Size: 0.050" x 4" x 16"

### Finishes

- **HPUL-850**
  - US1 - Black
  - US15 - Satin Nickel
  - Non-stock finishes available with factory lead time and subject to minimum order quantity. Consult Factory.
- **HPUSH-3515 / HPUSH-4016**
  - US1 - Black
  - US32D- Satin Stainless Steel

### Code Compliance

- Meets ANSI 156.6 for J401 Pulls



### CAL-ROYAL PRODUCTS, INC.

6605 Flotilla St., City of Commerce, CA 90040 U.S.A.  
Phone: (323) 888-6601 • (800) 876-9258 • Fax: (323) 888-6699 • (800) 222-3316  
Email: sales@cal-royal.com • Website: www.cal-royal.com

The illustration and technical description in this cut sheet is current as of the date in the version date on the right. Cal-Royal Product reserves the right to, and may, on occasions, make changes and/or improvements in designs and dimensions without prior notice.

2019/01  
YEAR PRINTED / VERSION NO.

© Cal-Royal Products, Inc. 2019

## HANDS-FREE DOOR PULL

### Features

- *Hands-free door pull to help against the spread of Corona Virus*
- Prevents cross-contamination
- Perfect for offices, commercial, and industrial buildings
- Ensuring a healthy and safe surroundings
- Easy installation

### Material

- Aluminum

### Dimensions

- **HFPUL-22**  
Size: 2" x 2 3/4"  
Projection: 3"  
Gauge: 1/8"
- **HFPUL-41**  
Size: 4 3/8" x 1 1/8"  
Projection: 3 1/16"  
Gauge: 1/8"

### Finishes

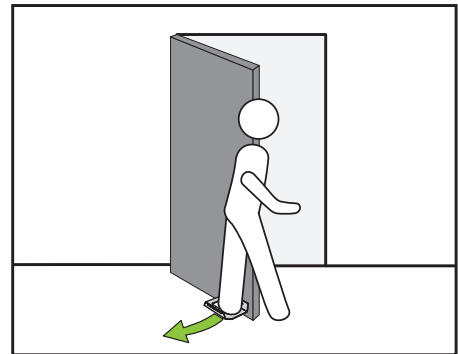
- **HFPUL-22**
  - US1 - Black
  - ALUM
- **HFPUL-41**
  - US1 - Black



HFPUL-22



HFPUL-41



### CAL-ROYAL PRODUCTS, INC.

6605 Flotilla St., City of Commerce, CA 90040 U.S.A.  
Phone: (323) 888-6601 • (800) 876-9258 • Fax: (323) 888-6699 • (800) 222-3316  
Email: sales@cal-royal.com • Website: www.cal-royal.com

The illustration and technical description in this cut sheet is current as of the date in the version date on the right. Cal-Royal Product reserves the right to, and may, on occasions, make changes and/or improvements in designs and dimensions without prior notice.

2019/01  
YEAR PRINTED / VERSION NO.

© Cal-Royal Products, Inc. 2019