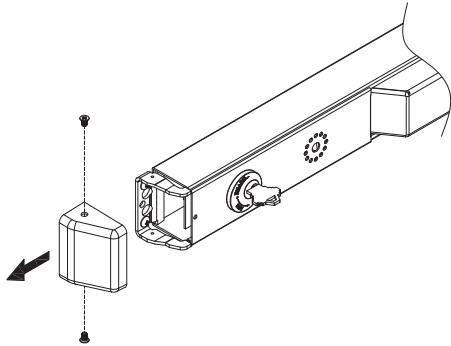


# INSTRUCTIONS ON HOW TO CHANGE THE BATTERY ON EXISTING ALARMED PANIC BAR OR INSTALLING NEW LOUDER SIREN ALARM KITS

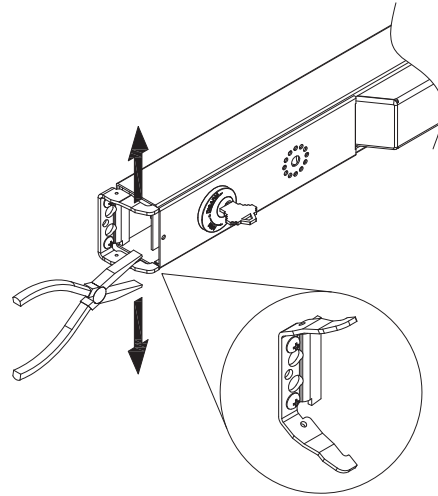
APPLICABLE TO 2200 AND 9800 SERIES RIM EXIT DEVICES



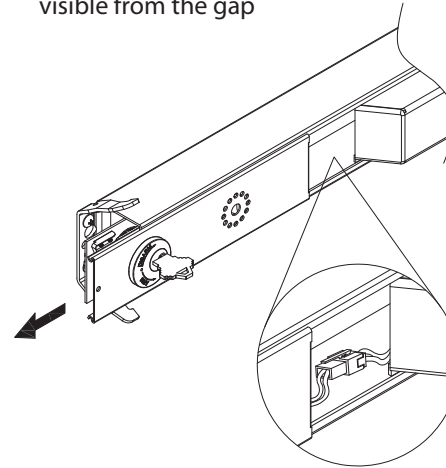
1. Remove top & bottom screws from end cap.



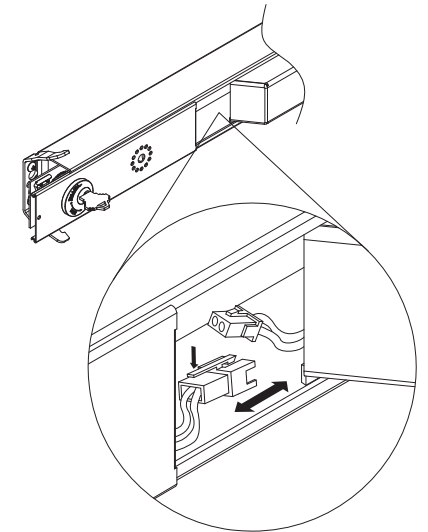
2. Slightly pry both sides of mounting bracket as shown.



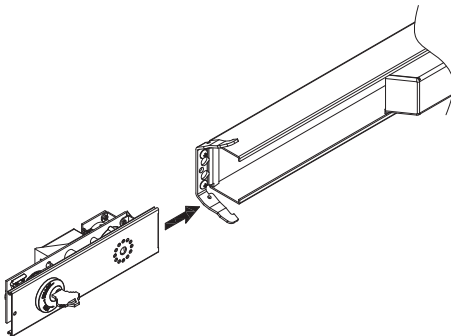
3. Slide the key assembly towards the edge of the exit device just enough until the electrical cable/connector are visible from the gap.



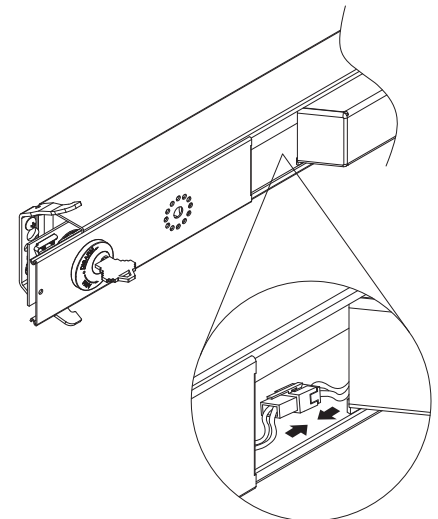
4. Disconnect the connector. Push tab down and pull apart.



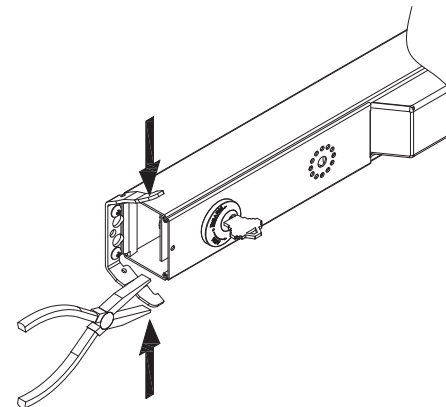
5. **Replace the battery.** Slide back the key assembly alarm kit making sure to line it up with the groove of the push rail assembly halfway.



6. Plug the connectors then fully slide the key assembly plate into place.



7. Carefully pry back the mounting brackets to its original position.



8. Place the end cap then tighten both screws.

