

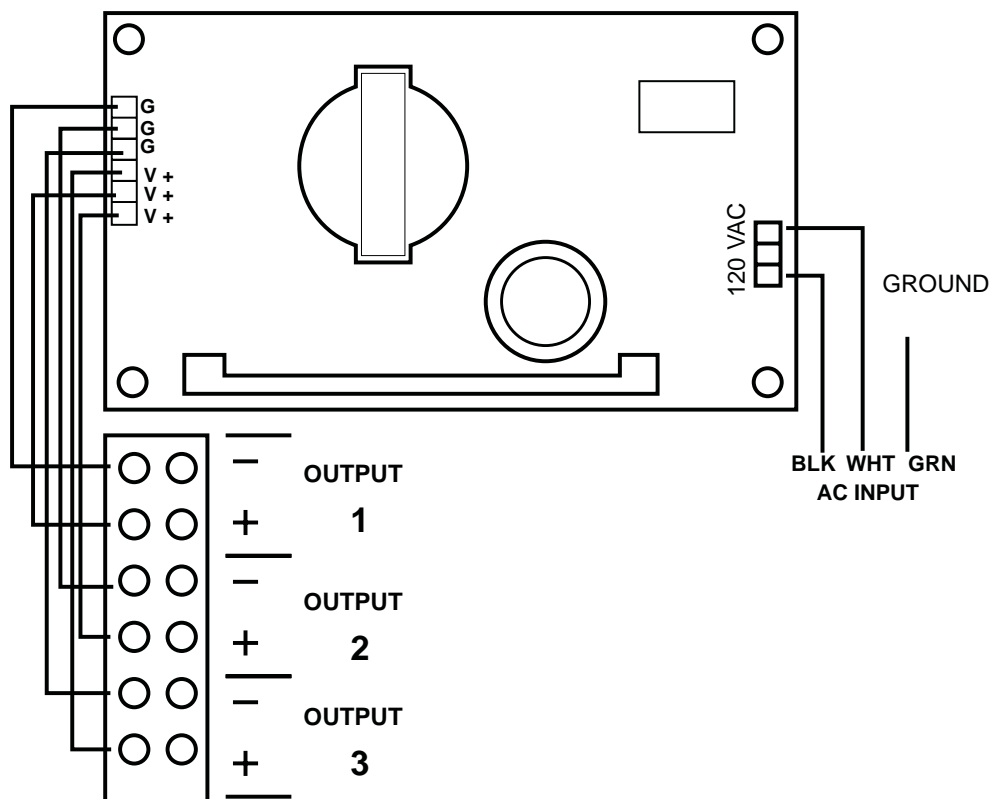
INSTALLATION INSTRUCTIONS

CRSW3

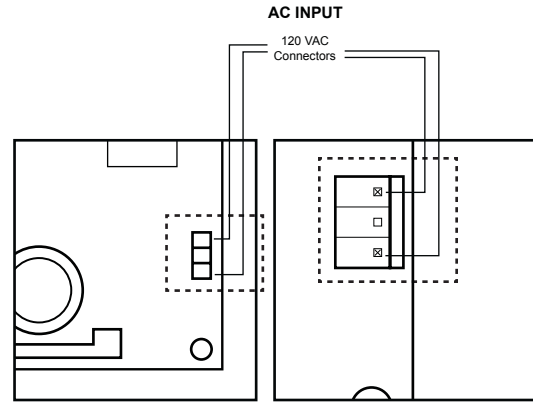
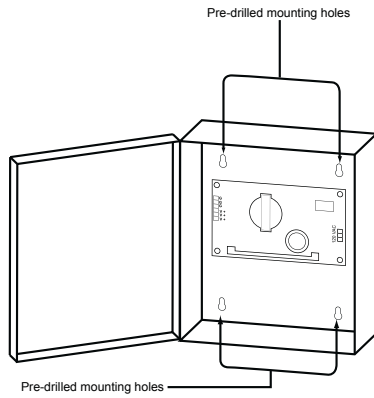
The SW3 is a cost effective regulated switching power supply designed to supply power to three low current locking devices such as mortise locks, cylindrical locks, and electric strikes. enclosure. The power supply is rated at 2.4 amps @ 24VDC and is housed in a sturdy 10" x 10" metal enclosure.

FEATURES & SPECIFICATIONS

- Input voltage - 110/220 VAC
- Output current/voltage - 2.4A @ 27VDC continuous current
- Enclosure dimensions - 10" x 10" x 4"
- 3 Outputs



STEP 1 Mount the power supply



WARNING: HIGH VOLTAGE!
SEVERE RISK OF ELECTRIC SHOCK
WITHIN THE DOTTED LINE AREA.

STEP 2 120 VAC wiring connection

- ① Make sure 120VAC service is off at power supply (Breaker should be shut off).
- ② Make sure 120VAC supply wire is rated at 90° C or higher.
- ③ Connect 120VAC supply wire to the AC pigtail labeled AC/N.
- ④ Restore AC power to the power supply. Red LED should now be on.

STEP 3 Wiring the devices

- ① Shut off breaker supplying AC power to the power supply.
- ② Using the wiring diagram in fig 3.1, wire your exit devices.
- ③ Restore power to power supply and trigger the devices to make sure they are working correctly.

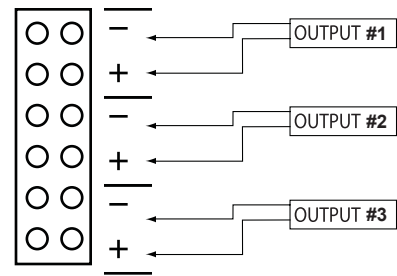


fig 3.1