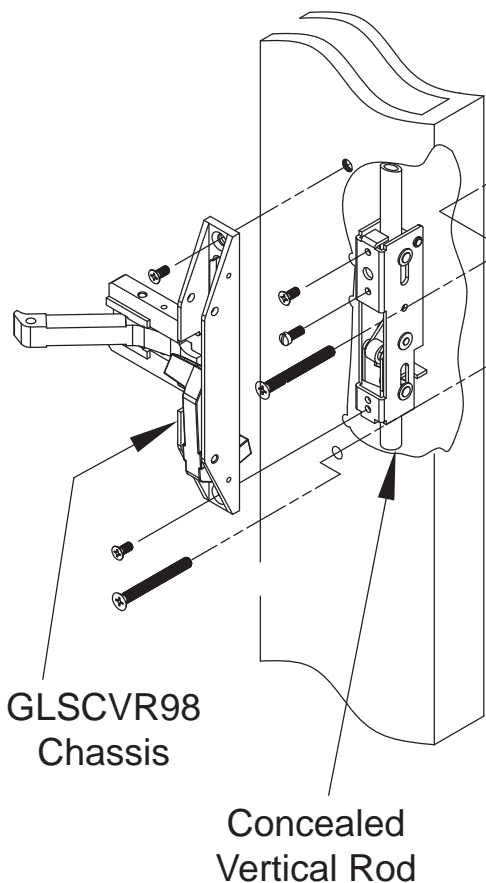




INSTALLATION INSTRUCTIONS FOR CAL-ROYAL GLSCVR9800 TRIM FOR GLSCVR98 SERIES CONCEALED VERTICAL ROD



GLSCVR9800	GLSCVR9830	GLSCVR9840	GLSCVR9805
<p>Lockable escutcheon lever trim. Key locks and unlocks lever.</p>	<p>No cylinder. Trim always operable.</p>	<p>Pull when push bar is pressed down.</p>	<p>Key unlocks escutcheon lever, key remains in cylinder unless locked.</p>
<p>13 function Entrance</p>	<p>15 function Passage</p>	<p>10 function Dummy</p>	<p>04 function Storeroom</p>
<p>Attach the collar and mortise cylinder to the escutcheon case with mortise nut, attach case to door thru bolting (2) screws to the chassis, aligning spindle to hub</p>	<p>Attach the escutcheon case to door thru bolting (2) screws to the chassis, aligning spindle to hub of chassis</p>	<p>Attach the collar and dummy cylinder to the escutcheon case with mortise nut, attach case to door thru bolting (2) screws to the chassis</p>	<p>Attach the collar and mortise cylinder to the escutcheon case with mortise nut, attach case to door thru bolting (2) screws to the chassis, aligning spindle to hub</p>