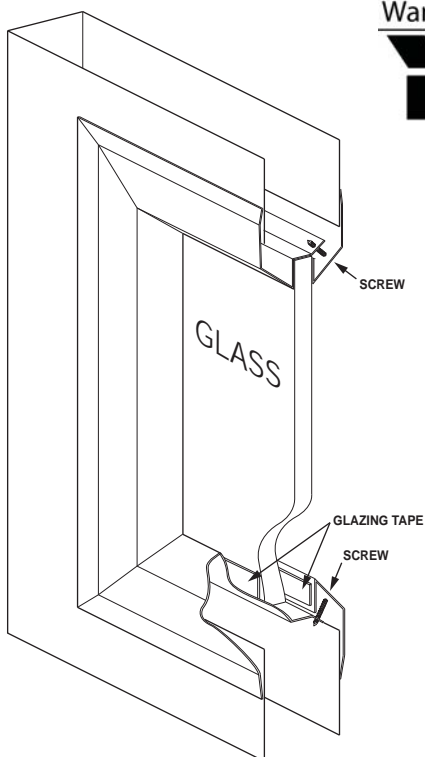


CRP / DKS VISION LITE FRAMES

TYPE: SVL & VL Lites

INSTALLATION INSTRUCTIONS

1. Prior to installation read and follow all door manufacturer's instructions and requirements for application of the vision kit. Instructions may vary between different types and size of application.
(The door cut out size corresponds to the order size of the vision lite frame)
2. Follow the door manufacturer's instructions for preparation of the door cut out including channel or other reinforcement of the perimeter.
3. Apply approved glazing materials (tape or compound) to the glass face perimeter on both sides evenly to match the corresponding frame. Use tape or compound consistent with the fire rating required or allowed.
4. For UL10C application to 20-minute wood doors, apply intumescent tape to the lower perimeter of the metal glass carriage.
5. Insert the outside (corridor) of the frame in the door cut out and square the frame on the face of the door.
6. Insert glass into glazing. Seat firmly with registered glass markings visible in the exposed glass.
7. Use supplied screws to pull the bottom of the frame together and square the entire unit in the cut out.
8. Apply all screws and alternately tighten. Do not bend the frame inwards during the process.



Cal-Royal Products, Inc.
6605 Flotilla St.
Commerce, CA 90040 U.S.A.
Phone: (323) 888-6601 ♦ (800) 876-9258
Fax: (323) 888-6699 ♦ (800) 222-3316
Email: sales@cal-royal.com
Website: www.cal-royal.com



DKS Steel Door & Frame Systems, Inc.
2142 Tubeway Ave.
Commerce, CA 90040 U.S.A.
Phone: (323) 888-7763
Fax: (323) 888-0063
Email: dks@cal-royal.com
Website: www.dksdoors.com