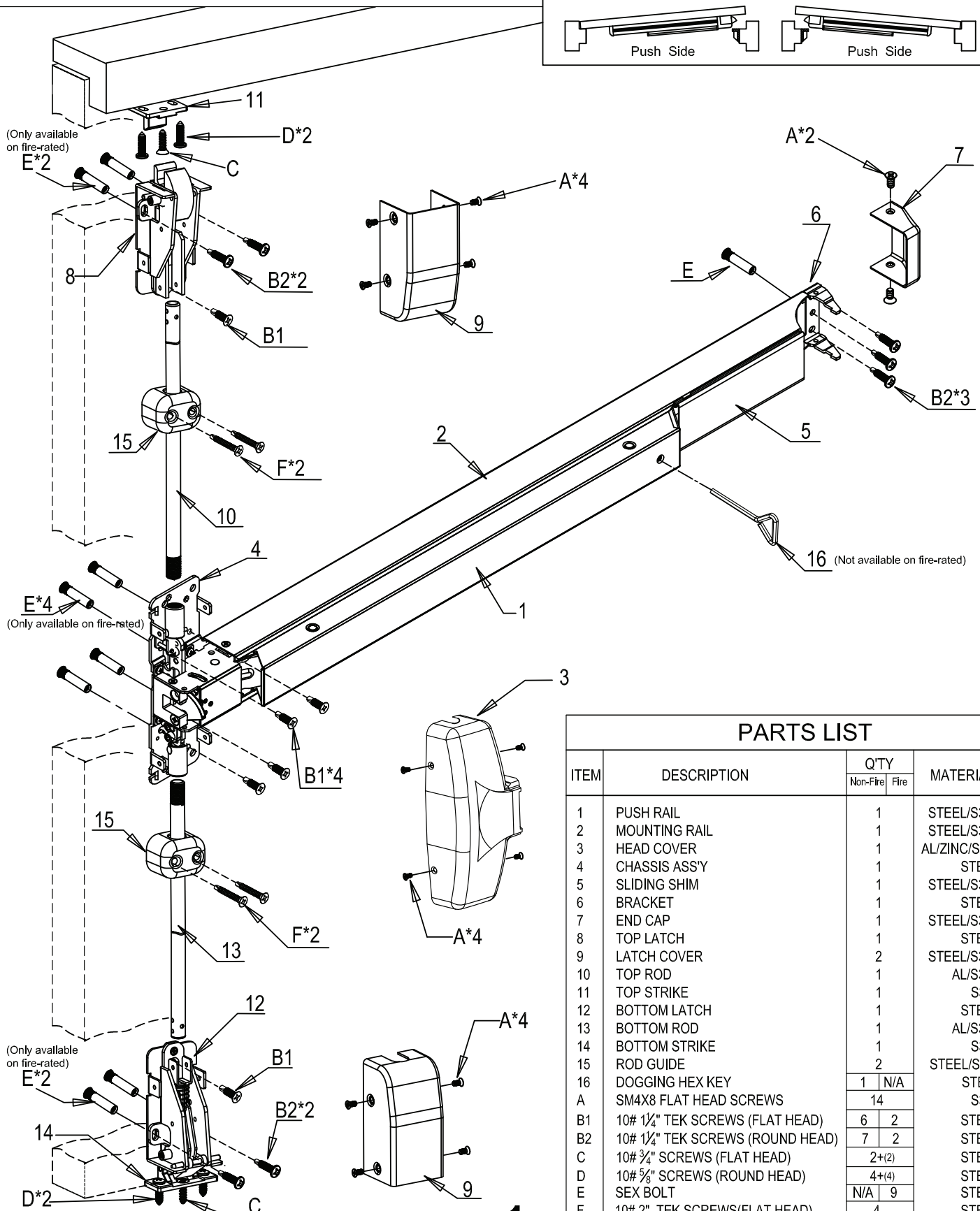
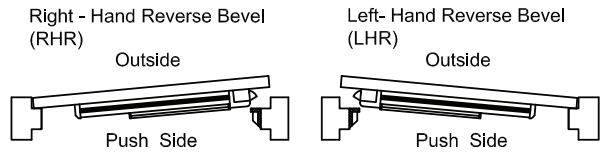


INSTALLATION INSTRUCTIONS FOR 6660V & F6660V SVR EXIT DEVICE

✂ The screws (item C & D), attach both machine & TEK screws (for wood door installation). And Item B1 & B2 changed to TEK screws (self-drilling screws) since 2014, May.

How to determine hand of door



PARTS LIST

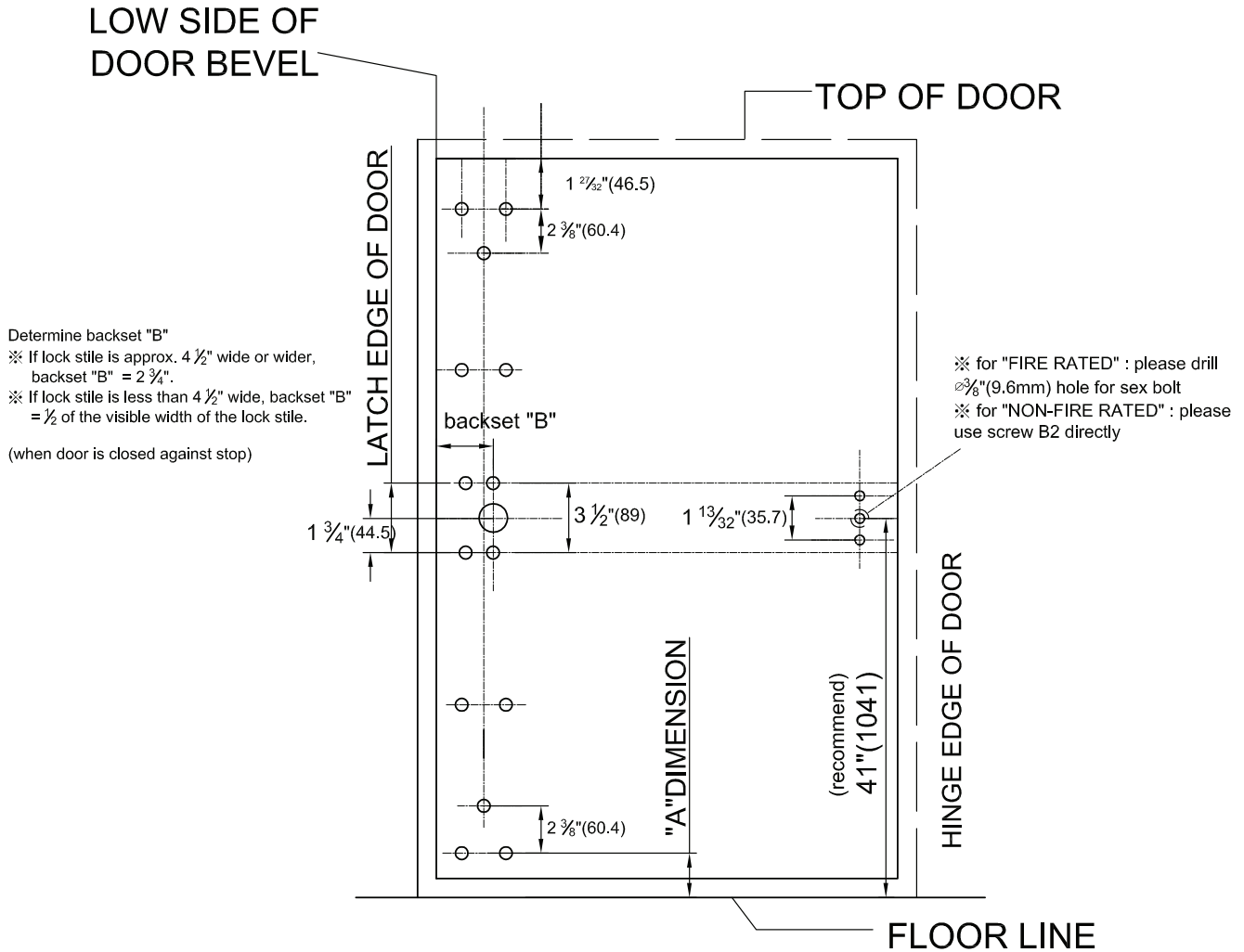
ITEM	DESCRIPTION	Q'TY		MATERIAL
		Non-Fire	Fire	
1	PUSH RAIL	1		STEEL/S304
2	MOUNTING RAIL	1		STEEL/S304
3	HEAD COVER	1		AL/ZINC/S304
4	CHASSIS ASS'Y	1		STEEL
5	SLIDING SHIM	1		STEEL/S304
6	BRACKET	1		STEEL
7	END CAP	1		STEEL/S304
8	TOP LATCH	1		STEEL
9	LATCH COVER	2		STEEL/S304
10	TOP ROD	1		AL/S304
11	TOP STRIKE	1		S304
12	BOTTOM LATCH	1		STEEL
13	BOTTOM ROD	1		AL/S304
14	BOTTOM STRIKE	1		S304
15	ROD GUIDE	2		STEEL/S304
16	DOGGING HEX KEY	1	N/A	STEEL
A	SM4X8 FLAT HEAD SCREWS	14		S304
B1	10# 1/4" TEK SCREWS (FLAT HEAD)	6	2	STEEL
B2	10# 1/4" TEK SCREWS (ROUND HEAD)	7	2	STEEL
C	10# 3/8" SCREWS (FLAT HEAD)	2+(2)		STEEL
D	10# 5/8" SCREWS (ROUND HEAD)	4+(4)		STEEL
E	SEX BOLT	N/A	9	STEEL
F	10# 2" TEK SCREWS(FLAT HEAD)	4		STEEL

STEP 1: MARK CENTER LINES

Mark Center Lines on INSIDE of door .Establish the horizontal center line of the device by drawing a line across the door 41" (1041mm) above floor line . Establish the top and bottom rod backset center line by drawing a vertical line from the top to bottom of the door measuring from the LOW SIDE of the DOOR BEVEL. After marking & drilling, please install pushbar according to its marked location. With establishment of pushbar, then go for next step of other installations.

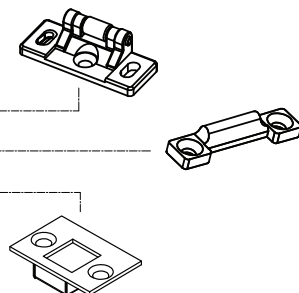
Regularly furnished unless specially ordered.

INSIDE OF LHR DOOR IS ILLUSTRATED



Regularly furnished unless specially ordered.

"A" DIMENSION	INSTALLATION
1 47/64" (44mm)	For Surface Strike
1 9/16" (39.5mm)	For Handicap Strike
1 5/32" (29.5mm)	For Mortise in Strike

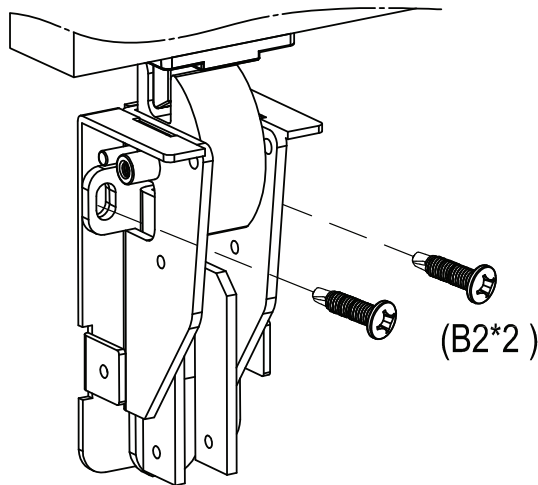


STEP 2: PREPARE TOP/BOTTOM LATCHES

Prepare Top and Bottom Latch and Mark by TEMPLATE for later installation .
(See illustration on this Page for dimensions and locations.)

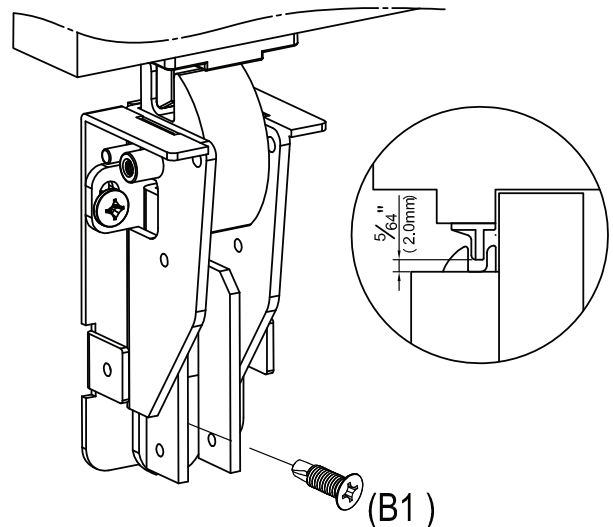
STEP 3: INSTALL TOP LATCH

Follow TEMPLATE to install top latch vertically. Fix screws (B2*2) in the oval-shaped holes.
(DO NOT TIGHTEN screws (B2) temporarily)



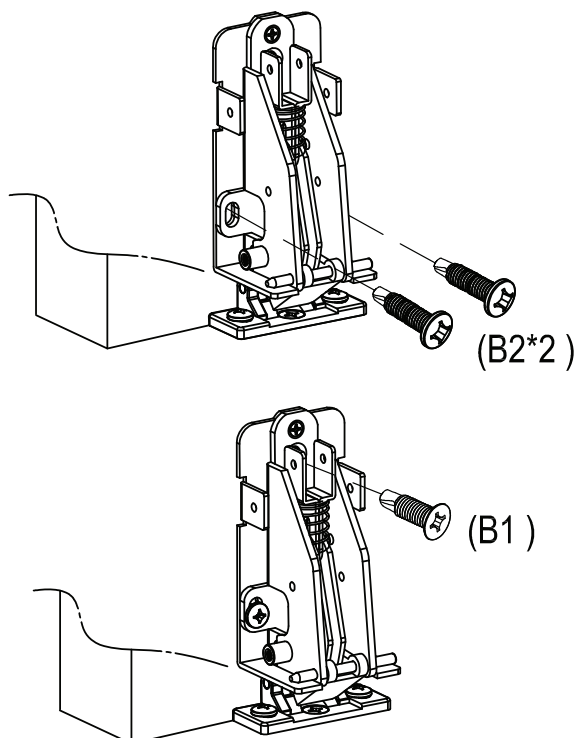
STEP 4: INSTALL TOP STRIKE

Follow TEMPLATE to install top strike vertically. Adjust top latch to keep gap between strike about $\frac{5}{64}$ " (2.0mm), tighten screws (B2). Then, fix screw (B1) and tighten it.



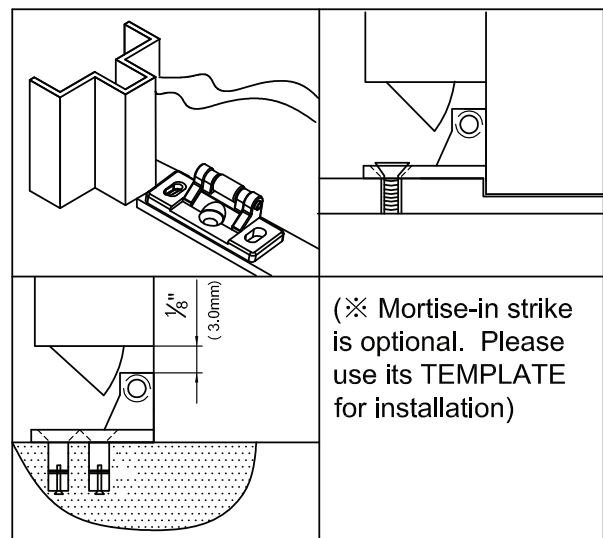
STEP 5: INSTALL BOTTOM LATCH

Follow TEMPLATE to install bottom latch vertically. Fix screws (B2*2) in the oval-shaped holes.
(DO NOT TIGHTEN screws (B2) temporarily)



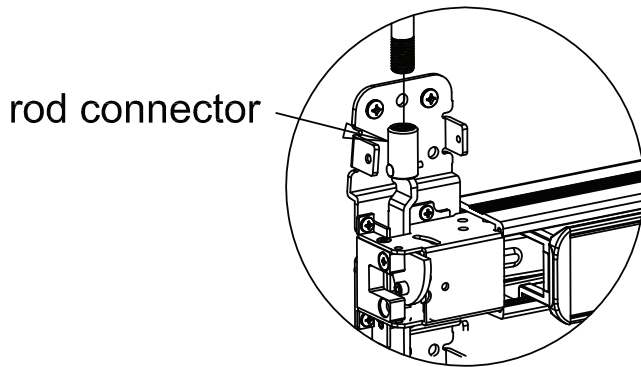
STEP 6: INSTALL BOTTOM STRIKE

Follow TEMPLATE to install bottom strike vertically. Adjust bottom latch to keep gap between strike about $\frac{1}{8}$ " (3.0mm), tighten screws (B2). Then, fix screw (B1) and tighten it.

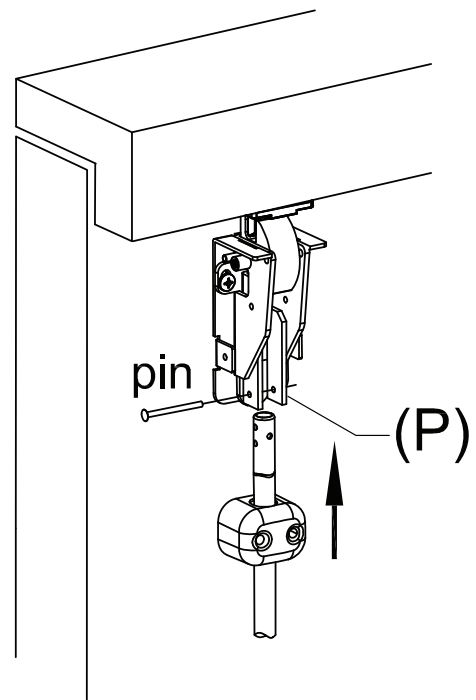


STEP 7: INSTALL & ADJUST TOP ROD

The rod length can be adjusted by the thread of the rod. Adjust it to the correct length when door is under closed position, by aiming the rod to the hole of the part (P).

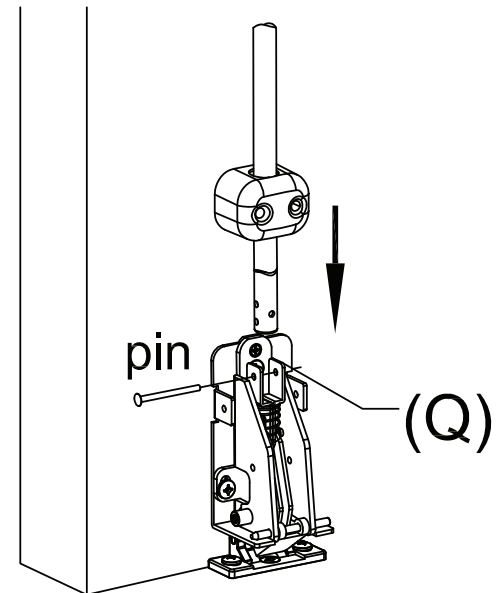
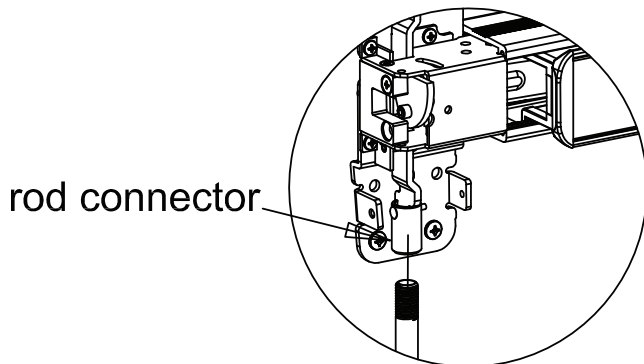


※ If top rod had been cut to fit door height, please drill hole for pin loading.



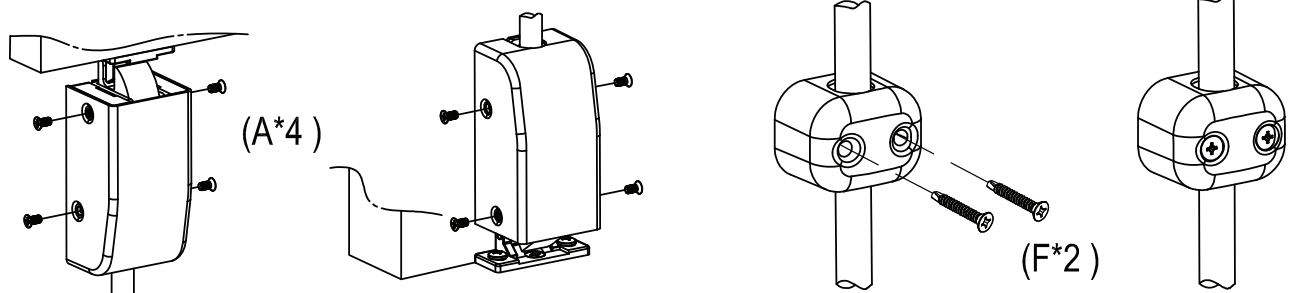
STEP 8: INSTALL & ADJUST BOTTOM ROD

The rod length can be adjusted by the thread of the rod. Adjust it to the correct length when door is under closed position, by aiming the rod to the hole of the part (Q).



STEP 9: INSTALL LATCH COVERS & ROD GUIDE

- (1) Install latch covers and fix/tighten them with screws (A).
- (2) Put rod guide midway between head cover and latch. Then, fix & tighten rod guide with screws (F).



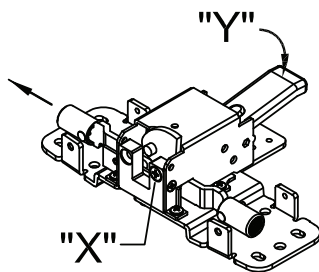
STEP 10: TEST PUSH RAIL & THE DOGGING FUNCTION

1. The latches should engage the strikes when the door is closed. If the door can be pushed to open without depressing the push rail, please check the rod length / installation (starting from step 3)
2. The latches should disengage from the strikes freely when the push rail is depressed or dogged down. If not, please check the rod length/installation again (starting from step 3)
3. When applying outside trims:
 - (1). No trims : Exit only, latch bolts are retracted just by the push rail inside.
 - (2). Entrance : latch bolts are retracted by trim outside after setting the trim unlocked.
 - (3). Storeroom : latch bolts are retracted by trim outside with key only.
 - (4). Passage : latch bolts are retracted by trim outside freely.
4. Dogging: Use dogging hex key and turn clockwise 90° when depressing push rail. Latch bolts will remain retracted.

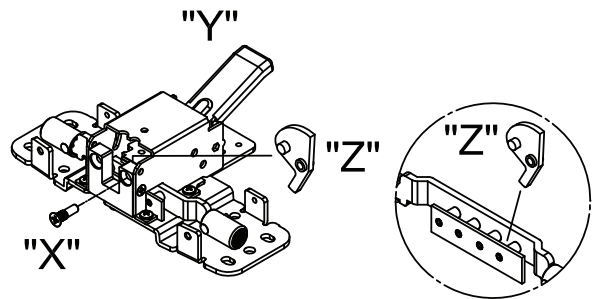
STEP 11: CHANGE HANDING OF DEVICE

TO CHANGE HANDING OF DEVICE (FOR EXAMPLE: FROM LHR to RHR)

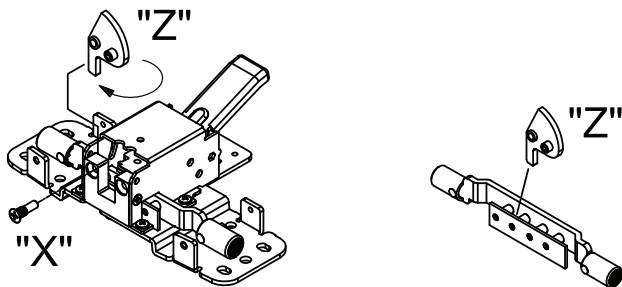
(LHR)



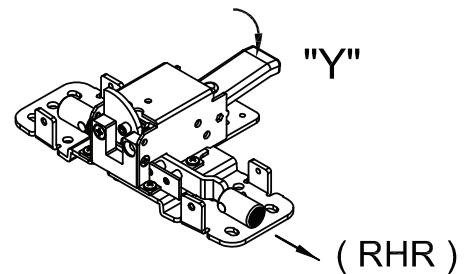
Press Lift Arm "Y" and ensure the direction before changing.
The screw "X" is at the below hole position as figure shown



Unscrew "X" and take off "Z".



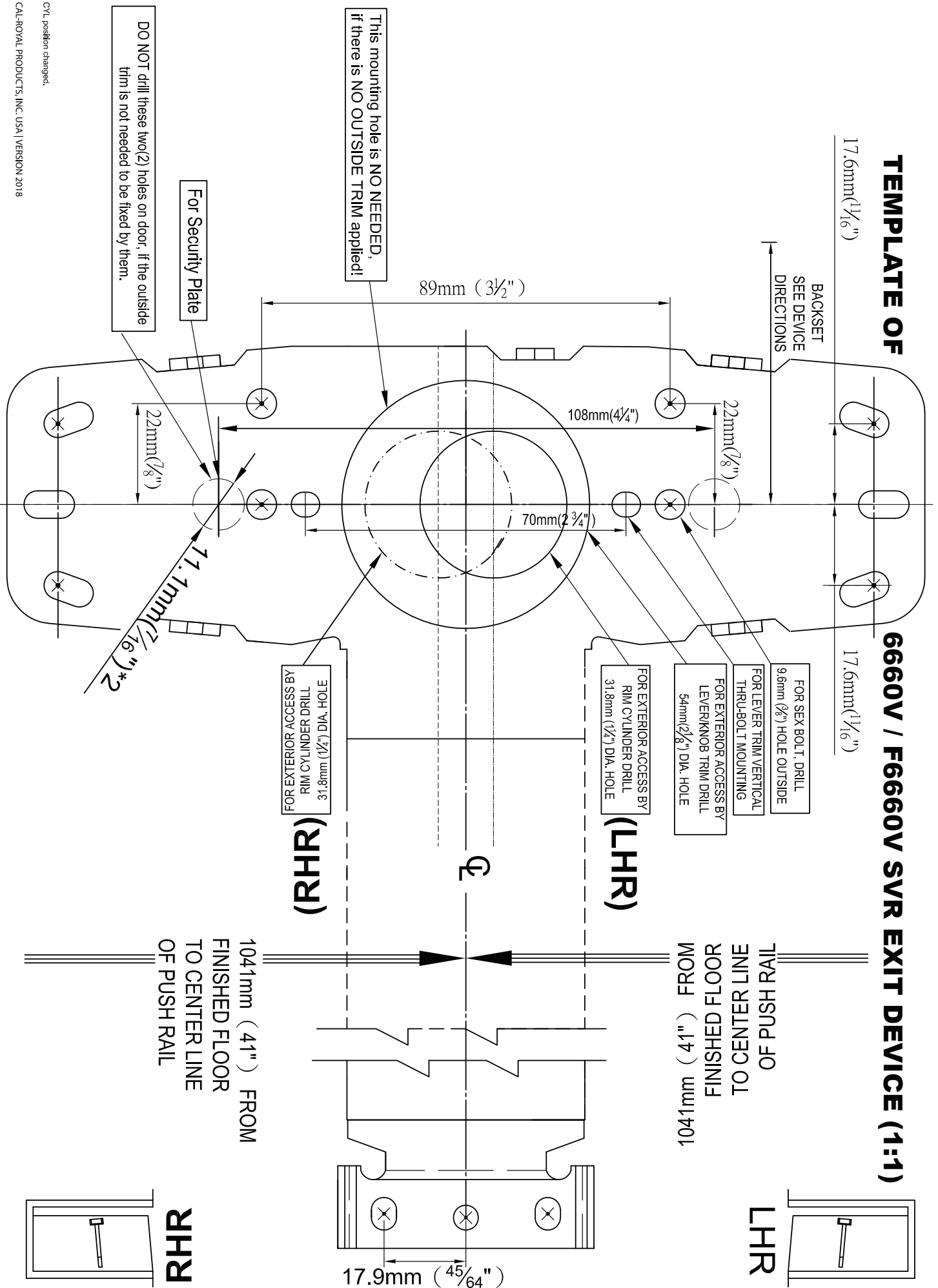
Turn "Z" 180° and put it back as figure shown.
Then, fasten "X" at above screw hole position.



Press Lift Arm "Y" to ensure the processing direction
is reversed.

TEMPLATE OF

6660V / F6660V SVR EXIT DEVICE (1:1)

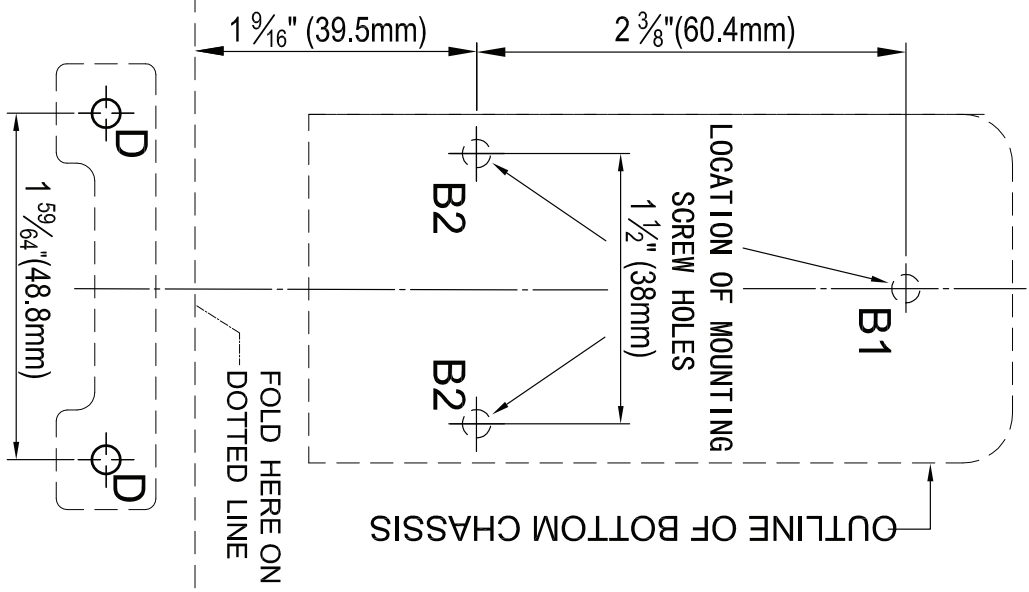
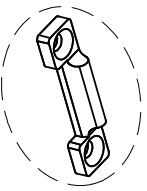


CYL position changed.

CAL-ROYAL PRODUCTS, INC. USA | VERSION 2018

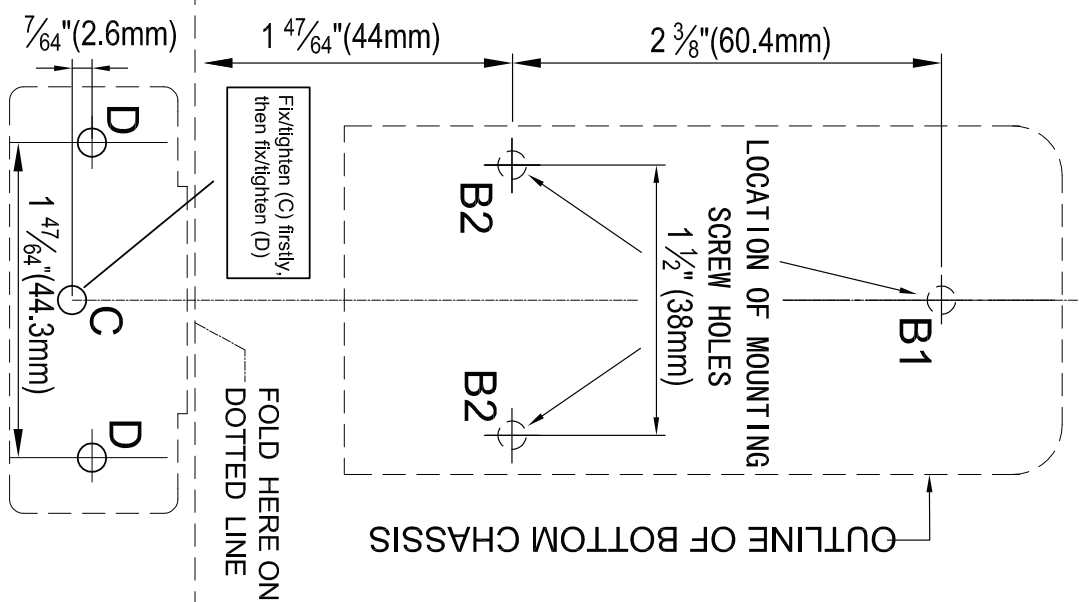
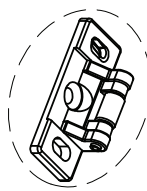
TEMPLATE of Bottom LATCH (1:1)

【Handicap Strike (Optional use)】



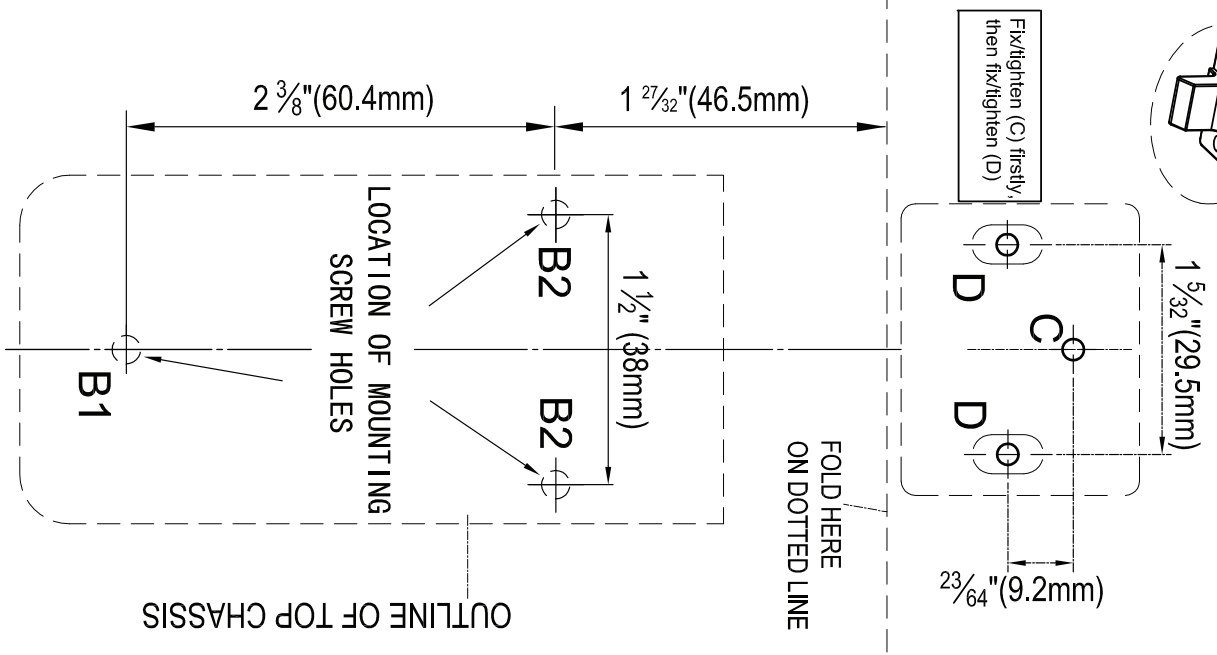
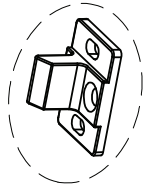
TEMPLATE of Bottom LATCH (1:1)

【Surface Strike (regular use)】



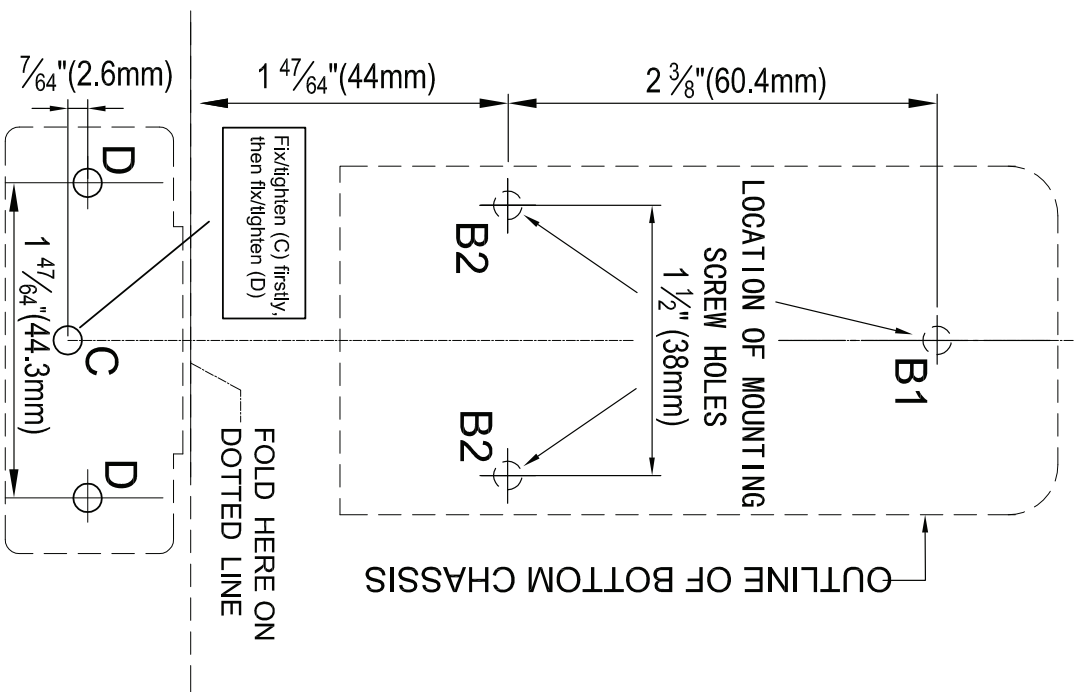
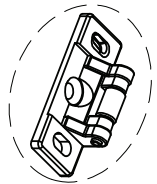
TEMPLATE of Top LATCH (1:1)

【Top Strike (regular use)】



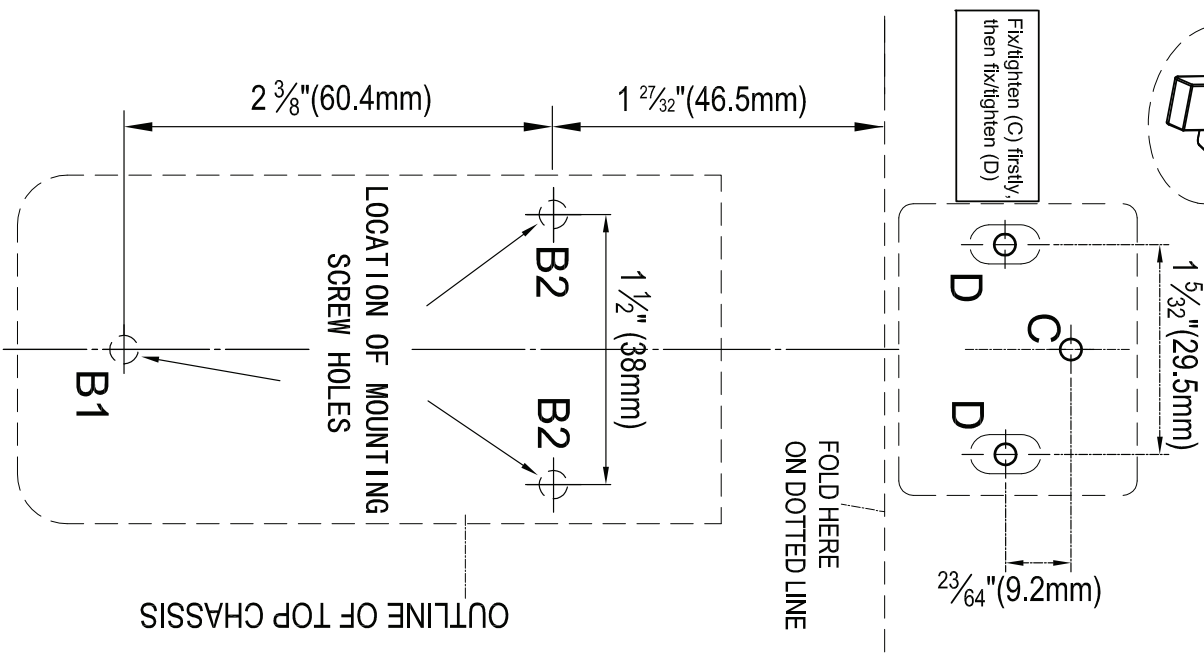
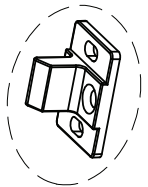
TEMPLATE of Bottom LATCH (1:1)

【Surface Strike (regular use)】



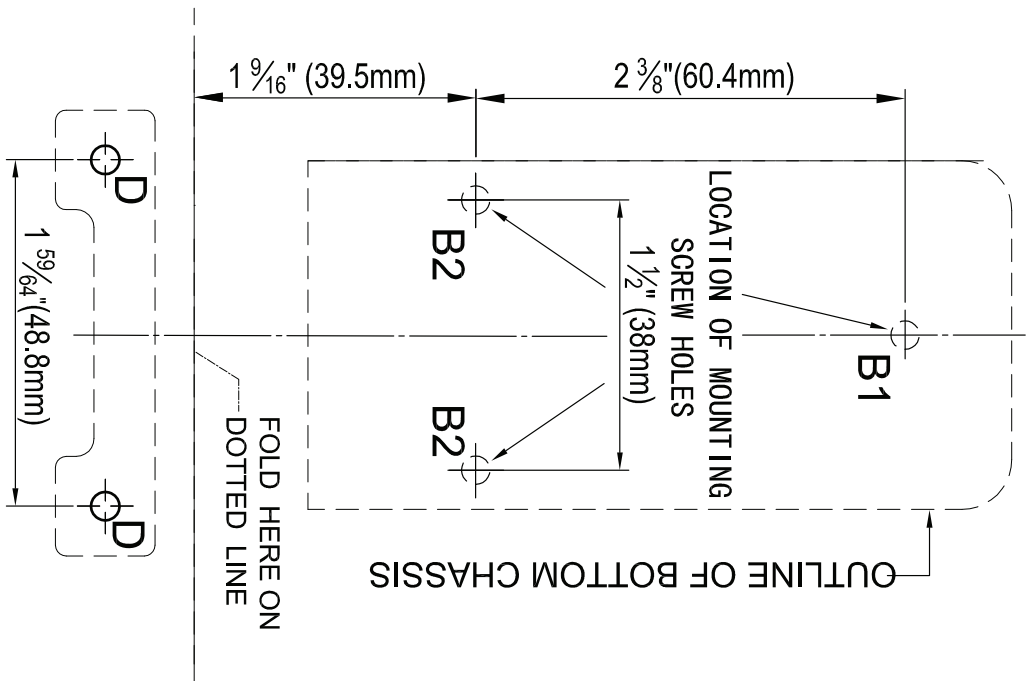
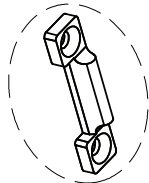
TEMPLATE of Top LATCH (1:1)

【Top Strike (regular use)】



TEMPLATE of Bottom LATCH (1:1)

【Handicap Strike (Optional use)】



TEMPLATE of Bottom LATCH (1:1)

【Mortise in Strike (Optional use)】

