

**NOTE:
IMPORTANT!**

ALIGNMENT STUDS **MUST**
ENTER INTO (2) 5/16" FIELD
DRILLED HOLES ON
OUTSIDE OF DOOR
(EXISTING SLOTS CAN BE
ELONGATED WITH A FILE)

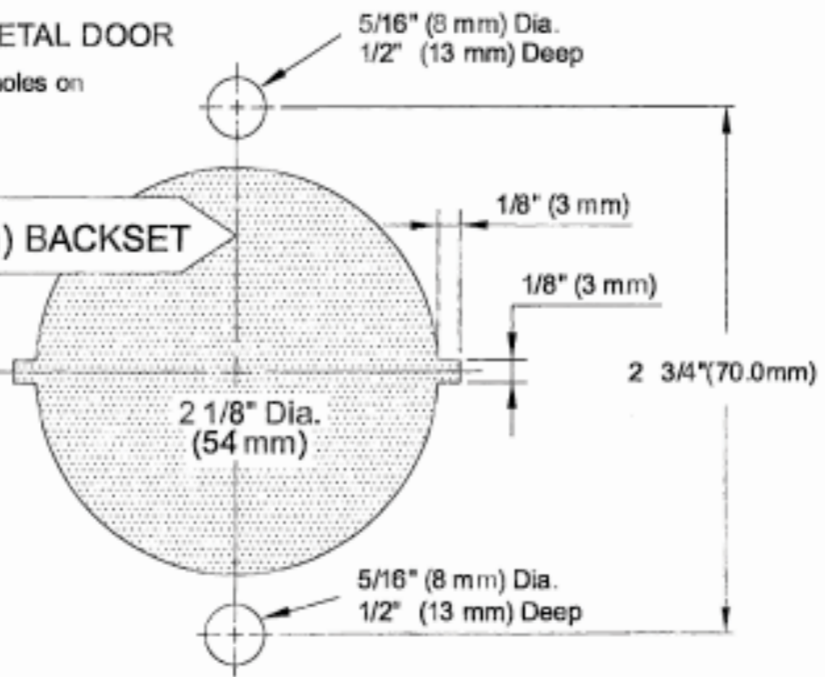
MANUFACTURER'S WARRANTY INVALID
IF SECURITY STUDS ARE REMOVED

FOLD AND ALIGN TEMPLATE ON EDGE OF DOOR

TEMPLATE
FOR WOOD OR METAL DOOR

Drill two 5/16" (8 mm) holes on
vertical center line
from outside of door.

2 3/4" (70 mm) BACKSET



PLACE TEMPLATE ON
HIGH EDGE OF BEVEL



6605 Flotilla St.
City of Commerce
CA 90040 USA
Tel: (323) 888-6601
FAX: (323) 888-6699
Website: cal-royal.com
Email: sales@cal-royal.com

ITEM NO.:	DESCRIPTION:	SCALE:
8000L	Installation Instructions for Trim of Panic Exit Device (DOORS WITH CYLINDRICAL LOCK CUT-OUT)	1:1
ANSI:	UNIT:	VERSION:
---	inches (mm)	ver. 1.0 rev. 01/12
		BY:
		bteves/adg