

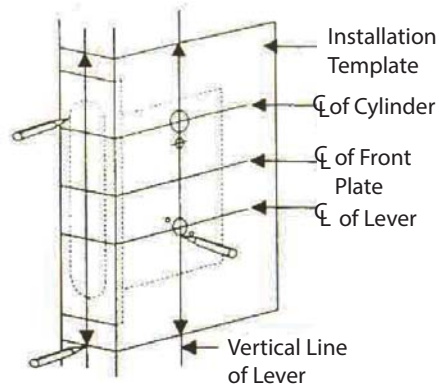
# Installation Instructions for NM SERIES 8080LOT Heavy Duty Mortise Lock, Less Outer Trim



1

## Door Preparation

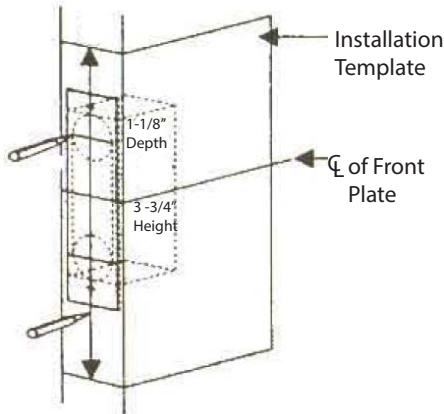
1. Align door preparation template on edge of door with applicable lines. Check door preparation chart and mark only holes for lock function being installed.
2. Mortise door edge according to measurements of installation template and drill proper holes for trims.



2

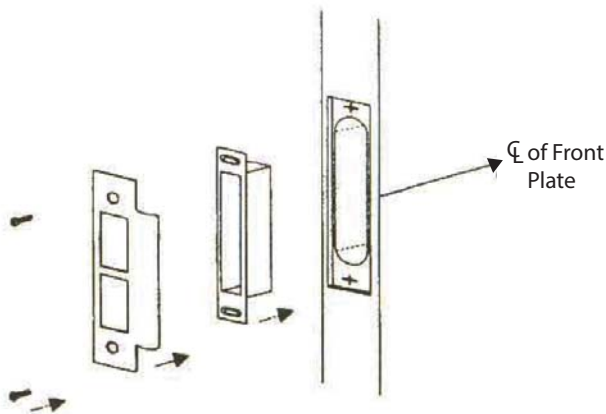
## Strike Preparation

1. Align strike template on jamb according to measurements of strike installation template. Bore 1" diameter holes into door edge, 1 1/8" deep. Recess 5/32" for fit of strike and box.



3

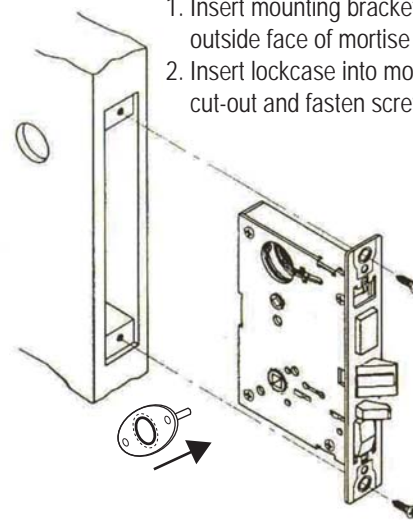
2. Mortise jamb according to measurement of installation template. Then fit strike and dust box into frame and secure into place with screws.



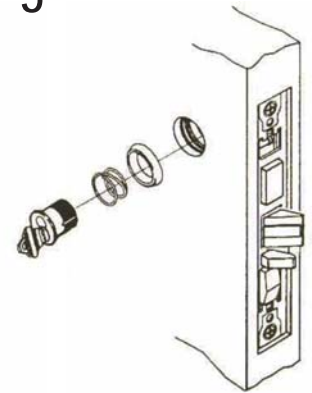
4

## Lockcase Installation

1. Insert mounting bracket to outside face of mortise lock.
2. Insert lockcase into mortise cut-out and fasten screws to door.



5



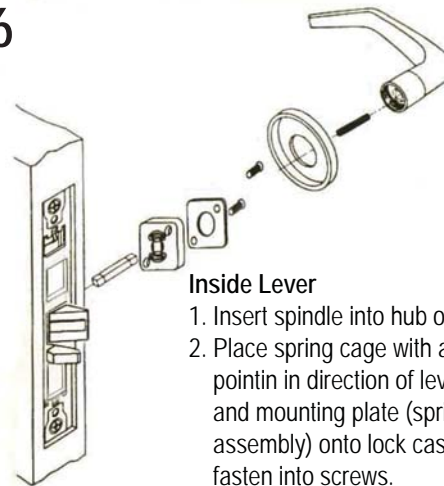
## Outside lever

1. Insert cylinder and lock in place.

6

## Inside Lever

1. Insert spindle into hub of lock case.
2. Place spring cage with arrows pointing in direction of lever rotation and mounting plate (spring-mount assembly) onto lock case and fasten into screws.
3. Cap inside rose over spring-mount assembly.
4. Insert inside spring into lever hole and tighten inside lever bushing with spanner wrench.



7

## Front Plate

1. Install outside front plate onto lockcase front and then fasten with screws.

