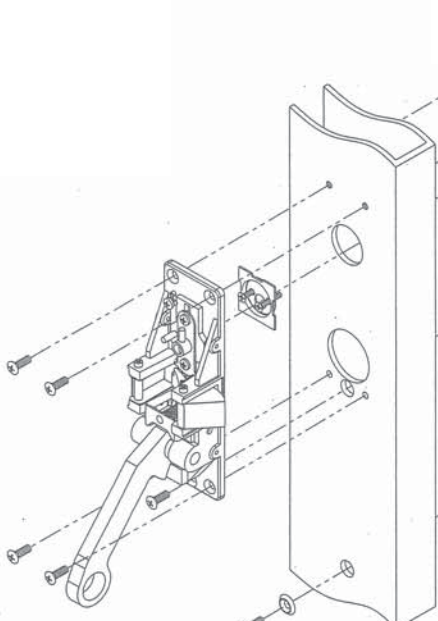
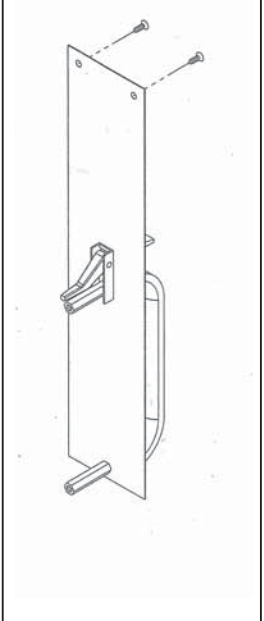
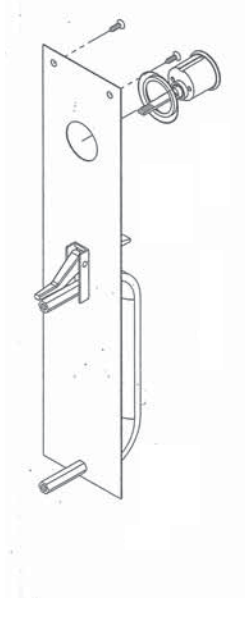


INSTRUCTION FOR CAL - ROYAL THP4400 SERIES THUMBPIECE TRIM

THP - 4400	THP - 4430	THP - 4440
		
<p>13 FUNCTION ENTRANCE</p>	<p>15 FUNCTION PASSAGE</p>	<p>10 FUNCTION DUMMY</p>
<p>ATTACH RIM CYL AND RING TO THE PLATE. ATTACH PLATE TO DOOR THRU BOLTING A (1)CUP WASHER AND SCREW AT BOTTON TO THE DOOR FASTEN 2 WOOD SCREWS TO THE FRONT OF DOOR. ALIGN HOOK UP SPINDLE TO THE OPERATING LIFT.</p>	<p>ATTACH PLATE TO DOOR THRU BOLTING A (1)CUP WASHER AND SCREW AT BOTTON TO THE DOOR FASTEN 2 WOOD SCREWS TO THE FRONT OF DOOR. ALIGN HOOK UP SPINDLE TO THE OPERATING LIFT.</p>	<p>ATTACH DUMMY CYL AND RING TO THE PLATE. ATTACH PLATE TO DOOR THRU BOLTING A (1)CUP WASHER AND SCREW AT BOTTON TO THE DOOR FASTEN 2 WOOD SCREWS TO THE FRONT OF DOOR. ALIGN HOOK UP SPINDLE TO THE OPERATING LIFT.</p>

