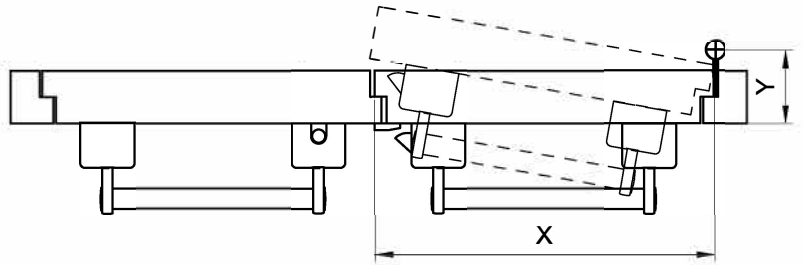
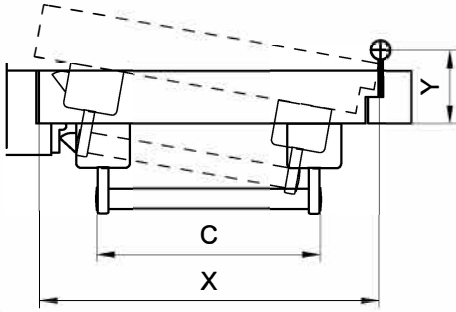


INSTALLATION INSTRUCTION

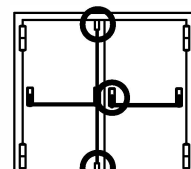
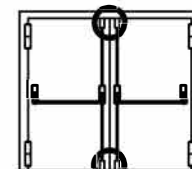
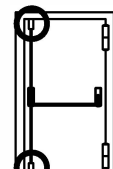
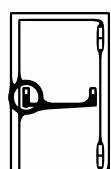
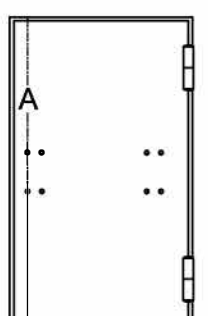
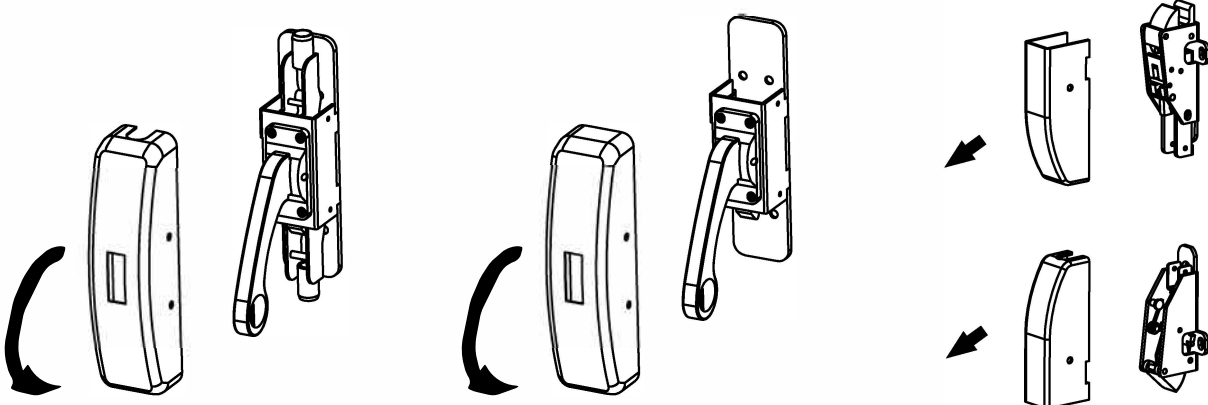
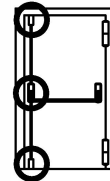
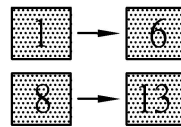
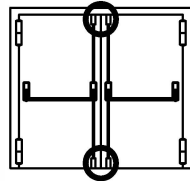
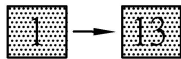
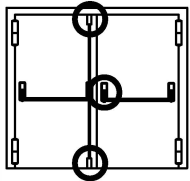
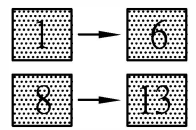
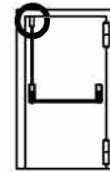
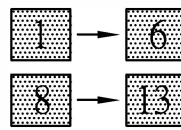
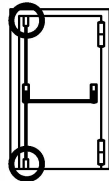
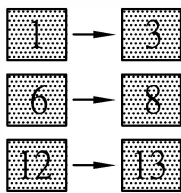
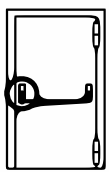
45-RIM / F45-RIM / 45-SVR / F45-SVR EXIT DEVICE



It may be the case that the panic fitting cannot be installed on extreme door situations according to standard measurements (door with X smaller than 1000mm in connection with the distance of the hinge Y bigger than 90mm)

DOOR SIZES

This product is suitable for both ANSI & CE certification . ANSI & UL: $C \geq 50\% X$
CE : $C \geq 60\% X$



$1 \frac{17}{64}$ "
(32mm)

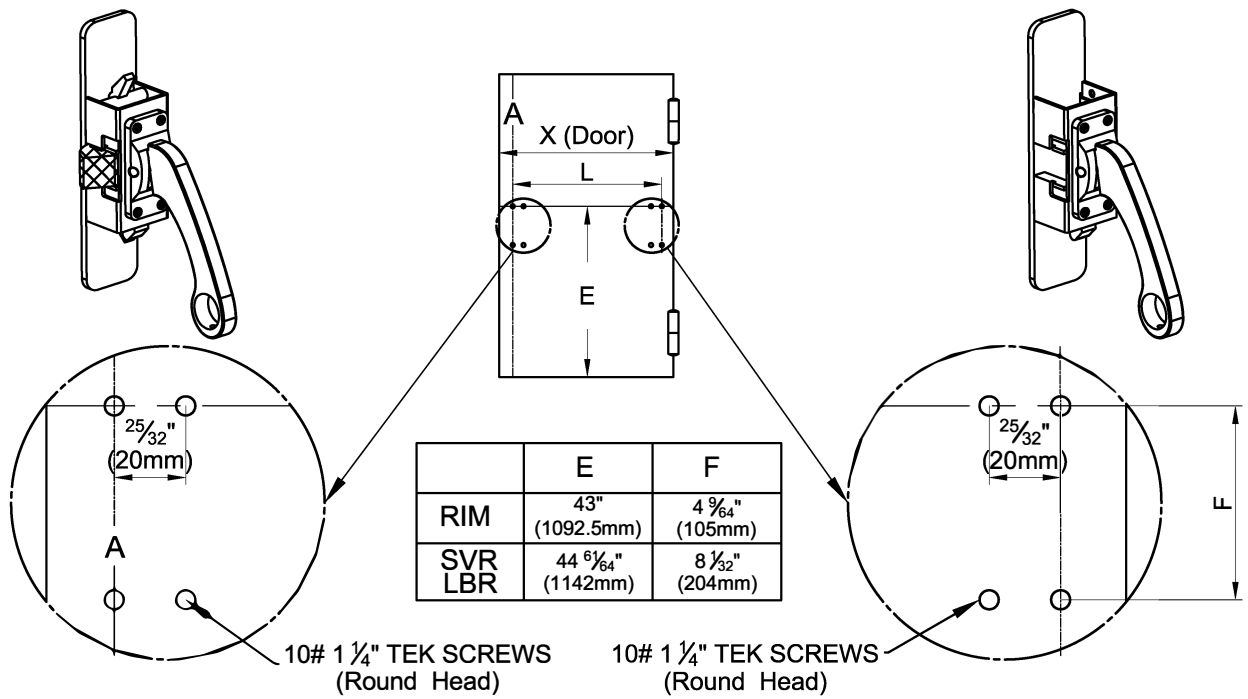
$1 \frac{17}{64}$ "
(32mm)

$2 \frac{23}{32}$ "
(69mm)

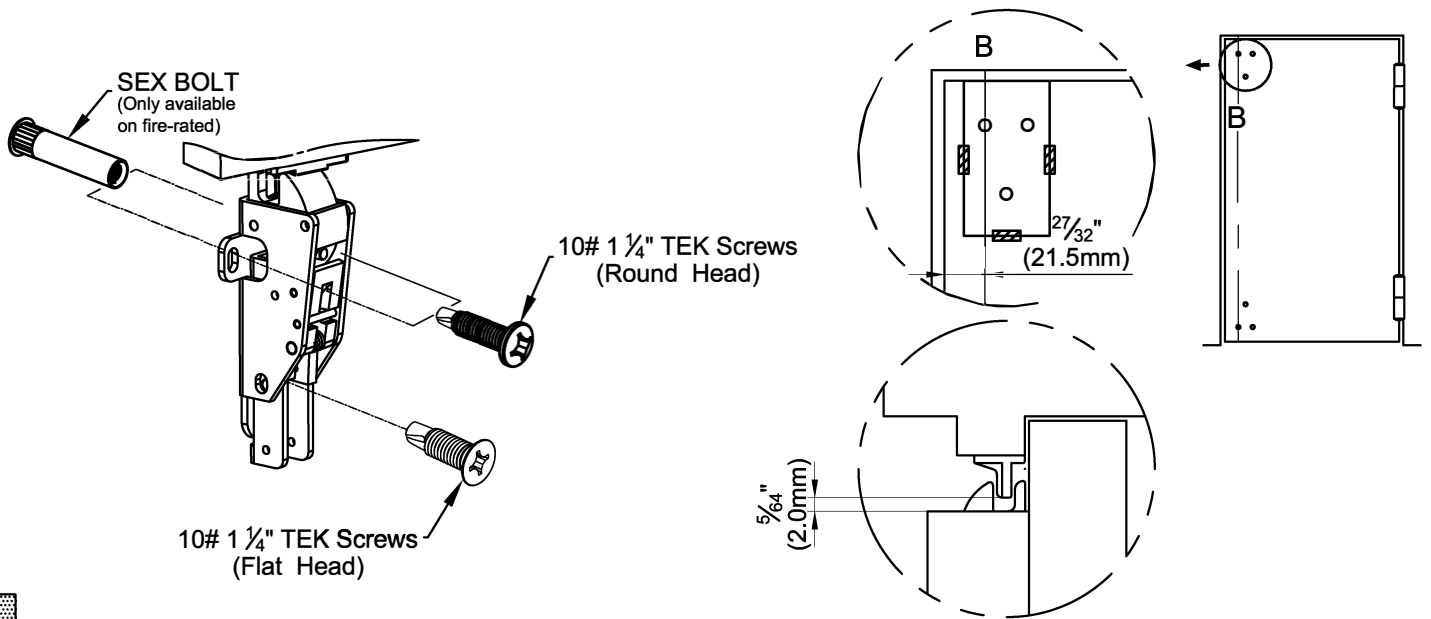
$1 \frac{21}{32}$ "
(42mm)

2"
(51mm)

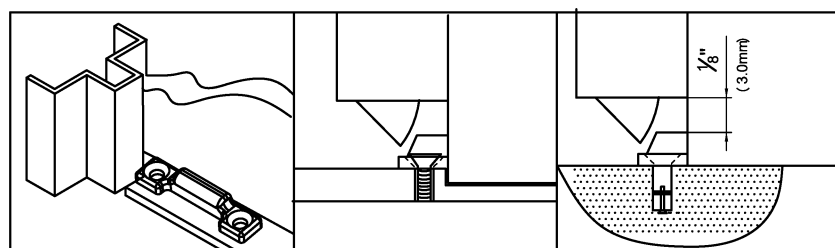
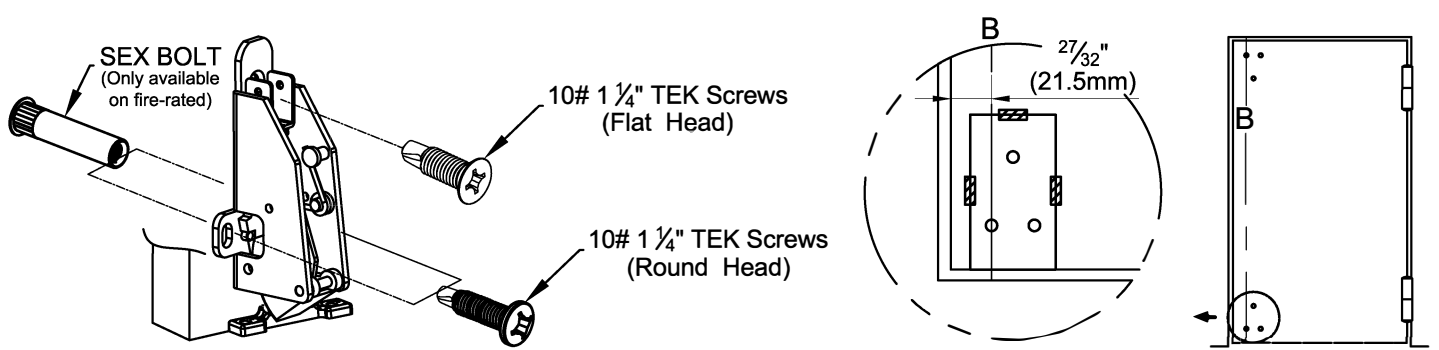
$1 \frac{17}{32}$ "
(32mm)



3

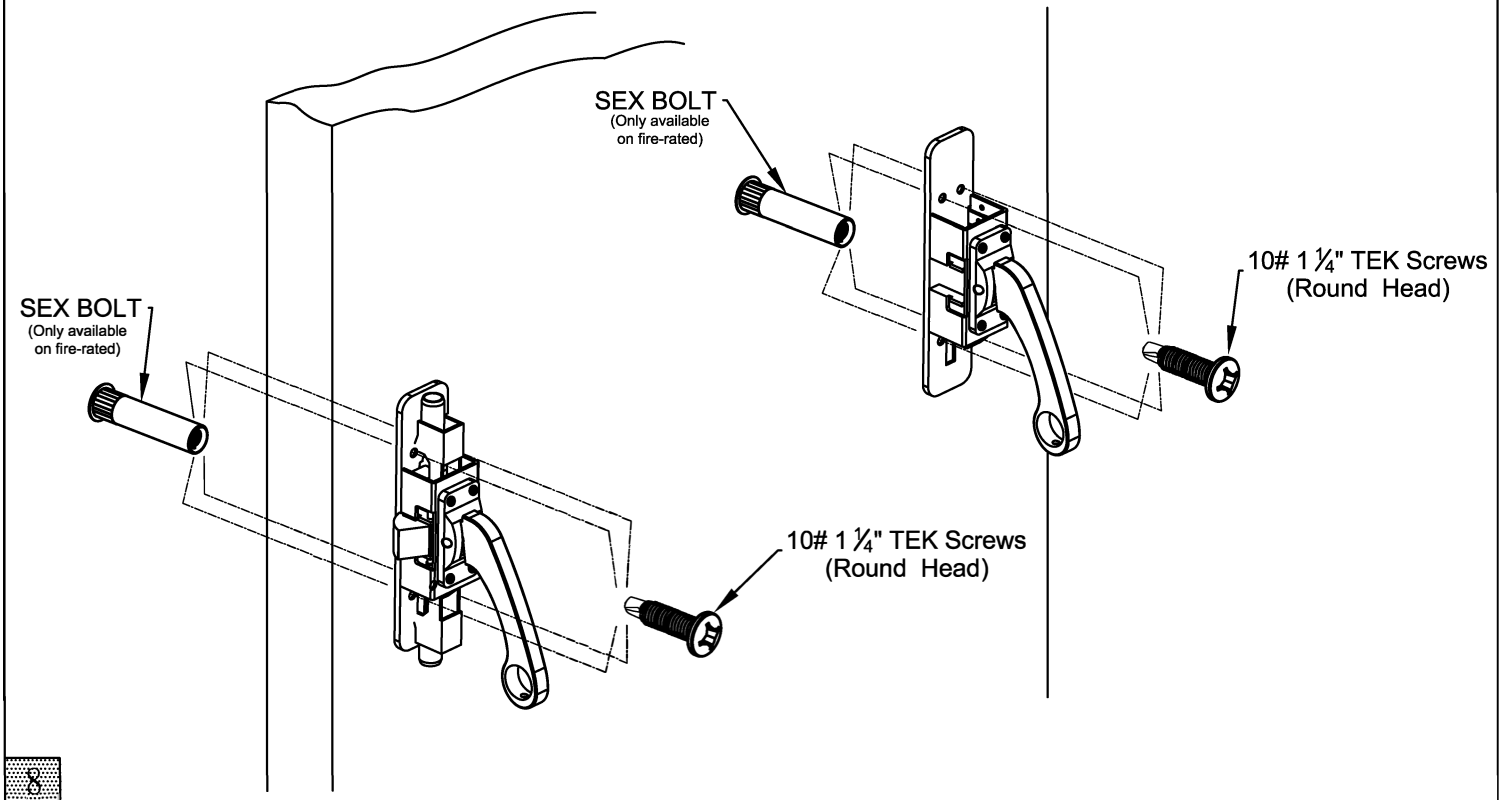
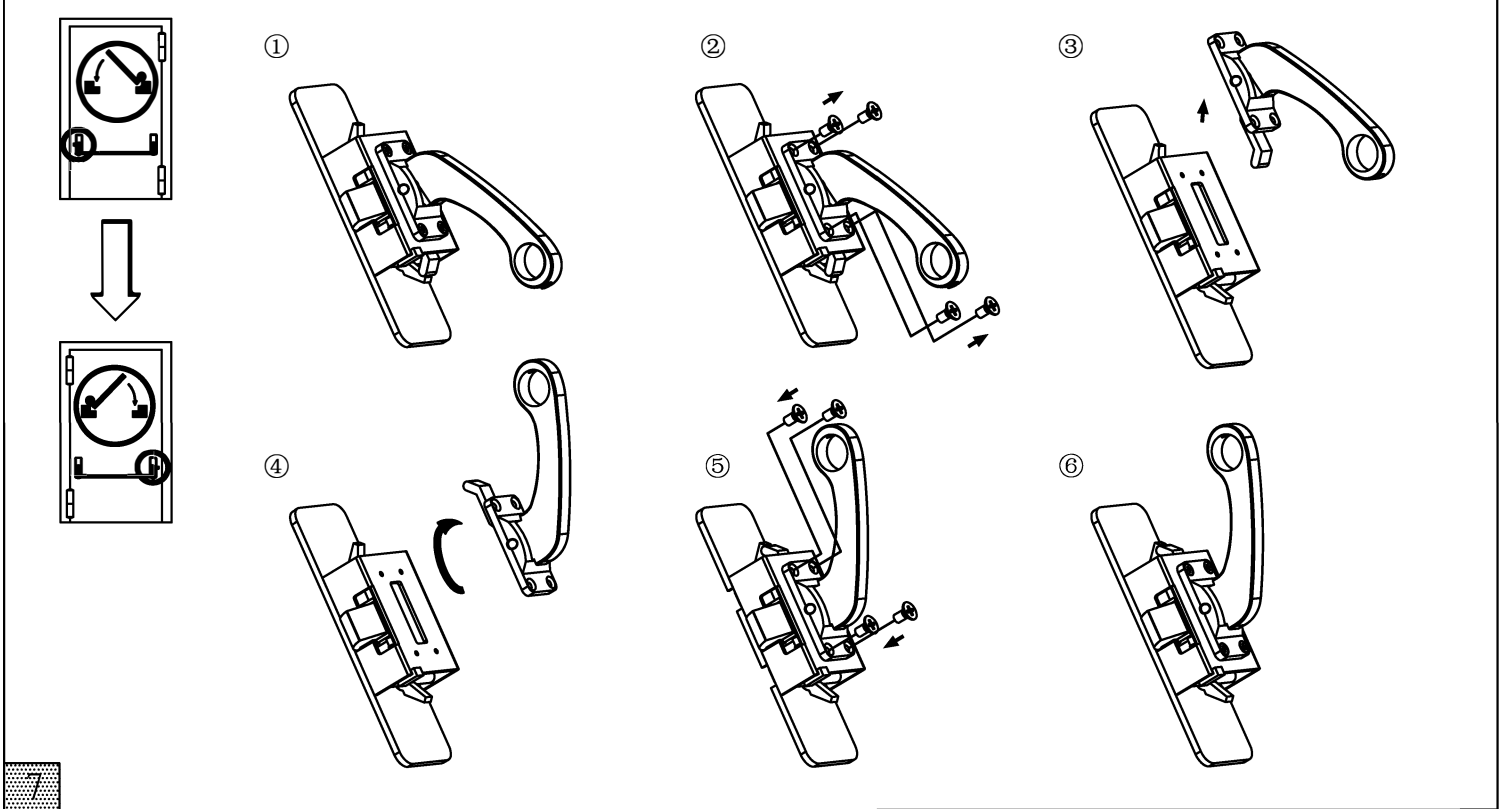
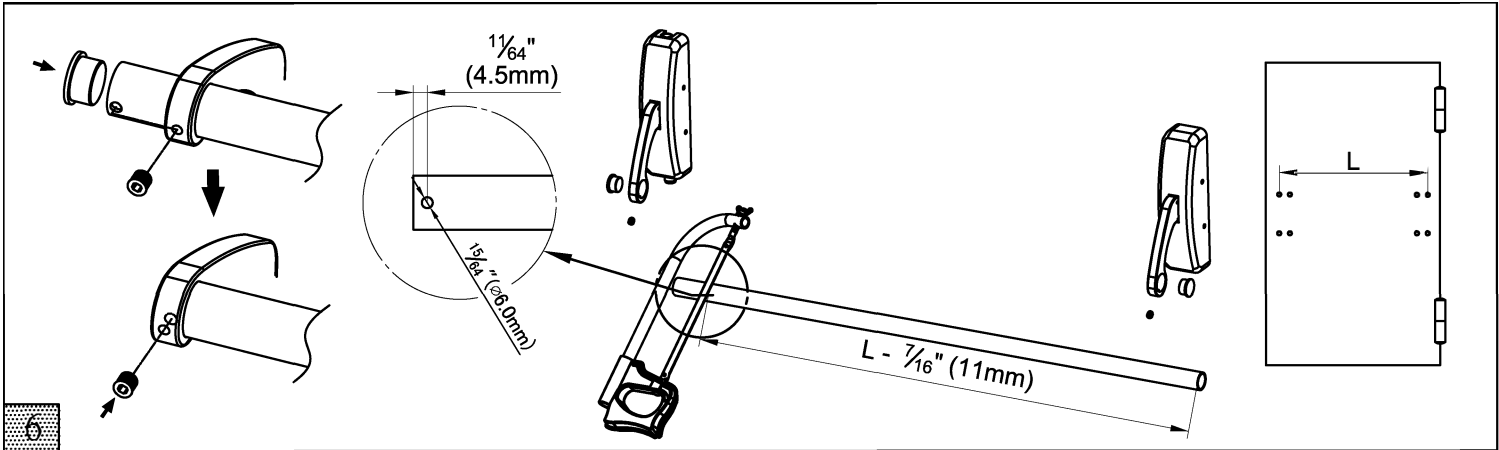


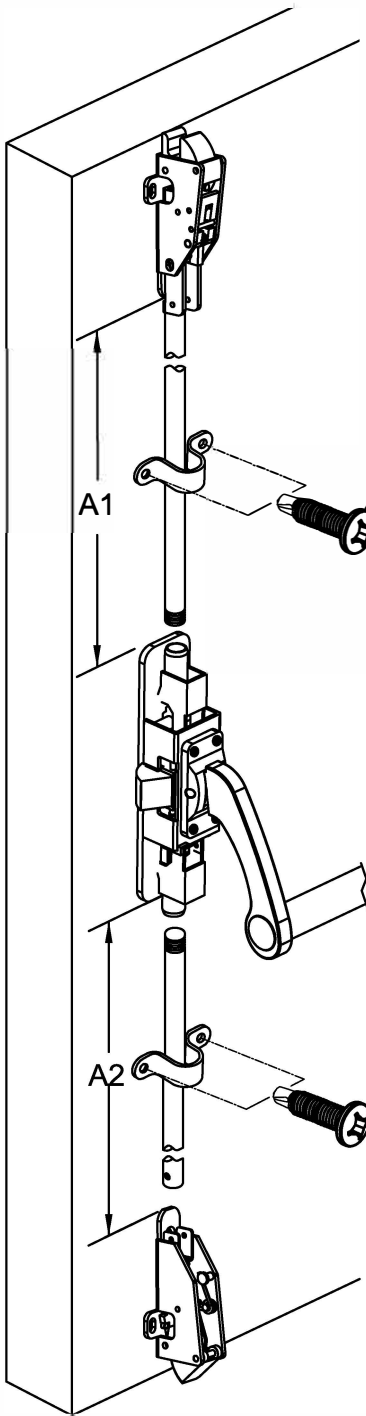
4



(※ Mortise-in strike is optional. Please use its TEMPLATE for installation)

5

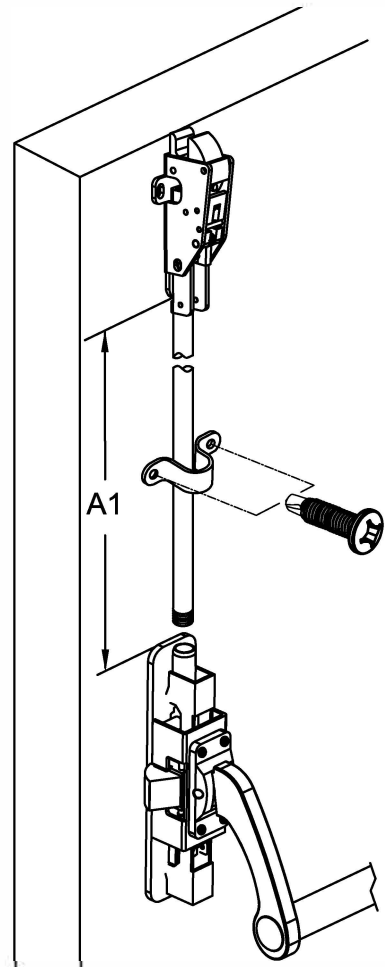




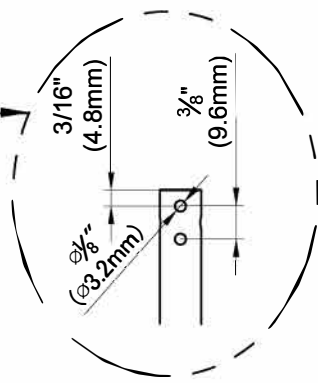
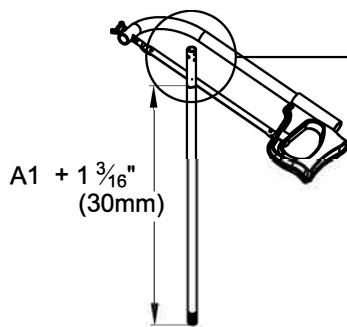
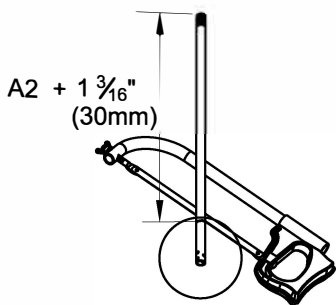
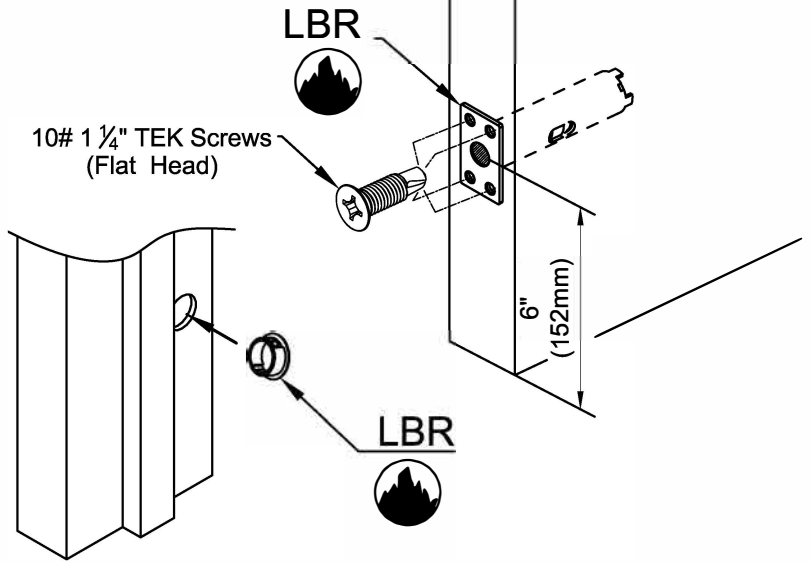
10# 1 1/4" TEK Screws
(Round Head)

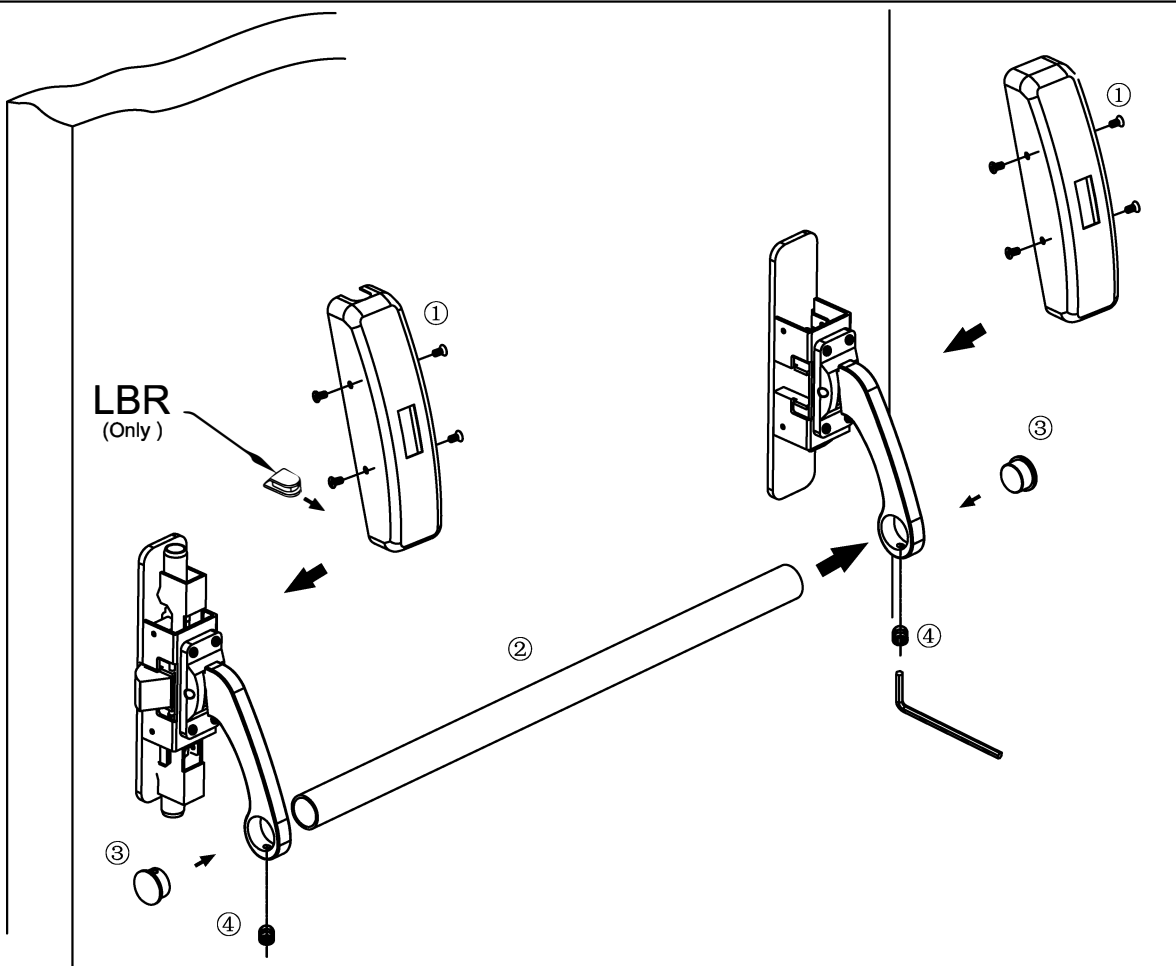
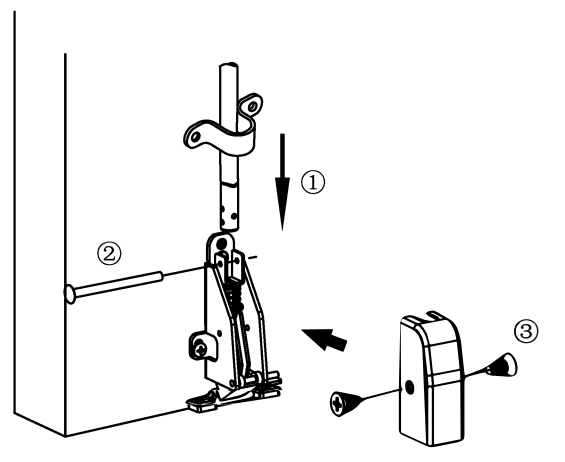
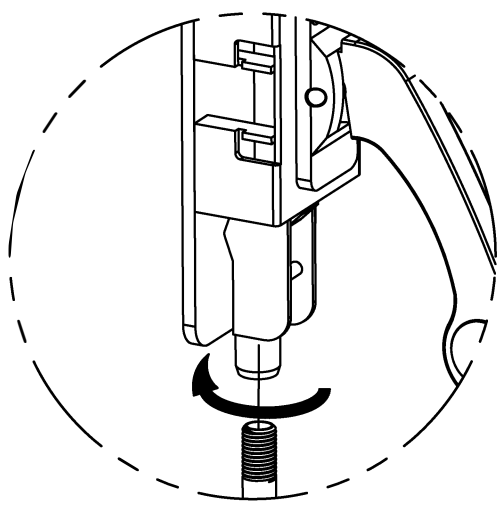
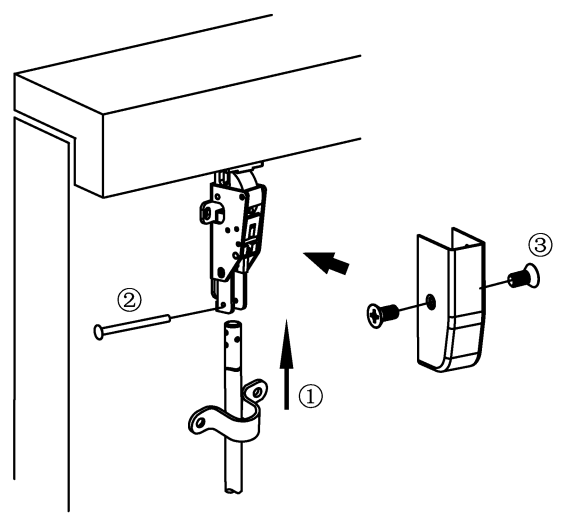
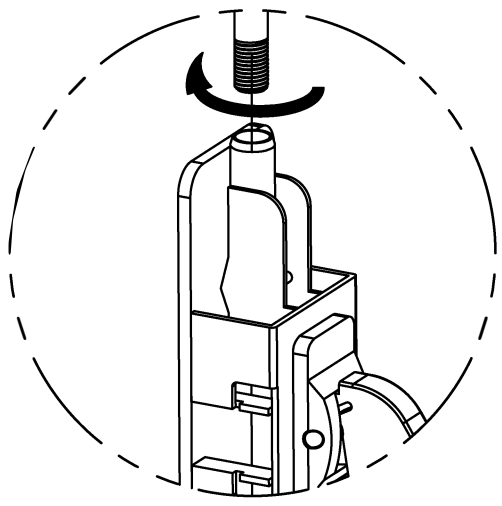
A1

A2



A1





10

11

12

