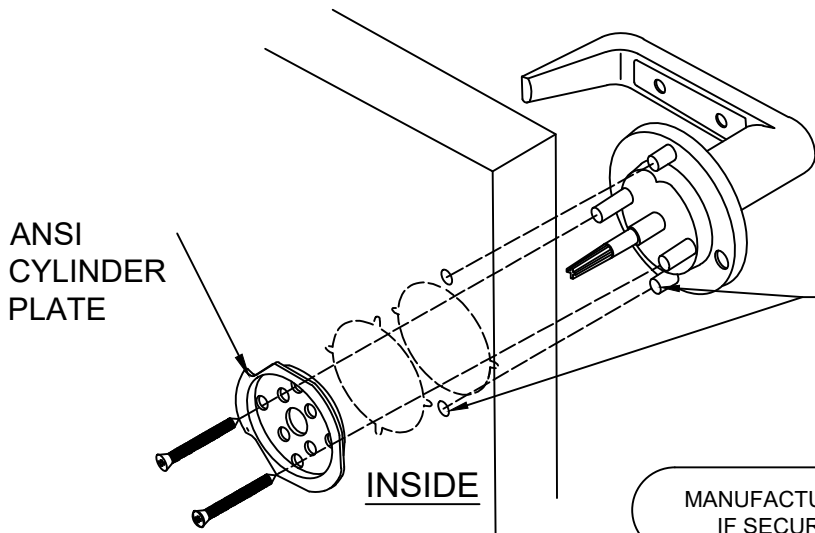


# 8000L & 8000S LEVER DESIGN

## INSTALLATION INSTRUCTIONS

### FOR PANIC EXIT DEVICE TRIM

#### ON DOORS WITH CYLINDRICAL LOCK CUT-OUT



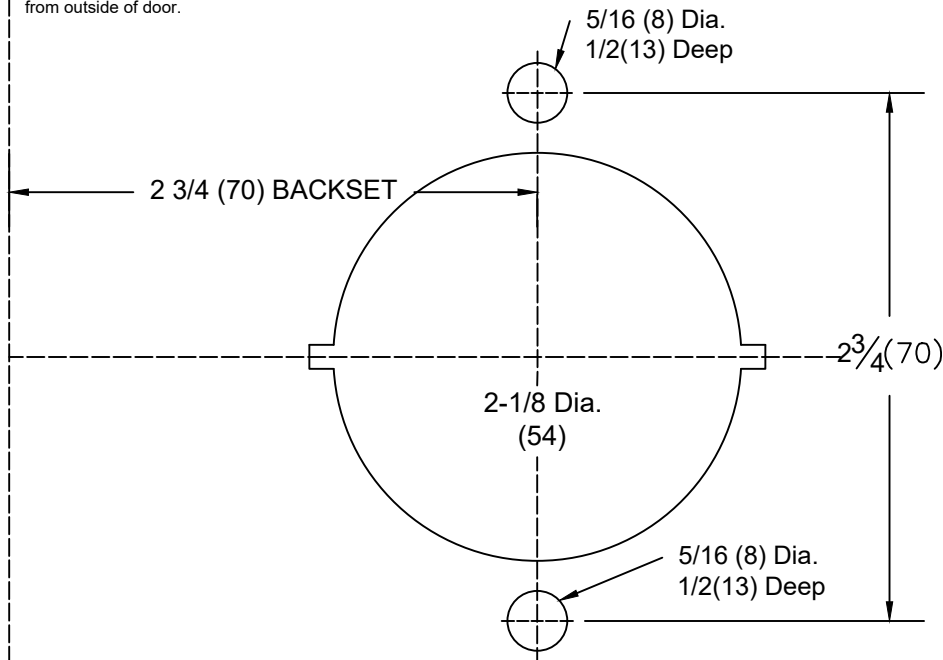
**NOTE:**  
**IMPORTANT:**  
 ALIGNMENT STUDS MUST ENTER INTO TWO (2) 5/16" (8mm) FIELD DRILLED HOLES ON OUTSIDE OF DOOR (EXISTING SLOTS CAN BE ELONGATED WITH A FILE)

MANUFACTURER'S WARRANTY IS INVALID IF SECURITY STUDS ARE NOT USED

### TEMPLATE

FOR WOOD OR METAL DOOR  
 Drill two 5/16 (8) holes on horizontal center line from outside of door.

FOLD AND ALIGN TEMPLATE ON EDGE OF DOOR



PLACE TEMPLATE ON HIGH EDGE OF BEVEL

The illustration and technical description in this cut sheet is current as of the date in version date on the right.  
 Cal-Royal Product reserves the right to, and may, on occasions, make changes and/or improvements in designs and dimensions without prior notice.



6605 Flotilla Street  
 City of Commerce  
 CA 90040 USA  
 Tel.# (323) 888-6601  
 FAX # (323) 888-6699  
 WEB SITE:  
 CAL-ROYAL.COM  
 Email: sales@cal-royal.com

ITEM NO.	DESCRIPTION
8000L & 8000S	Installation Instructions and Template for Trim of Panic Exit Device (ON DOORS WITH CYLINDRICAL LOCK CUT-OUT)

NOT TO SCALE
PAGE 1 of 1

UNIT
PRIMARY DIMENSION SHOWN IN INCHES, DIMENSIONS IN ( ) ARE mm

Prepared By:	DATE	DWG. NO.
BBT / ADG AED / CVL	11/06/23	EDT-4110-11/23-1of1
		REV