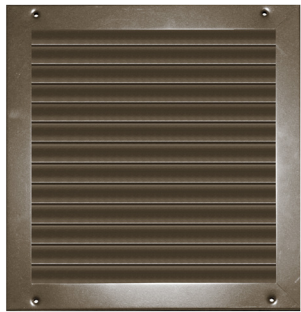

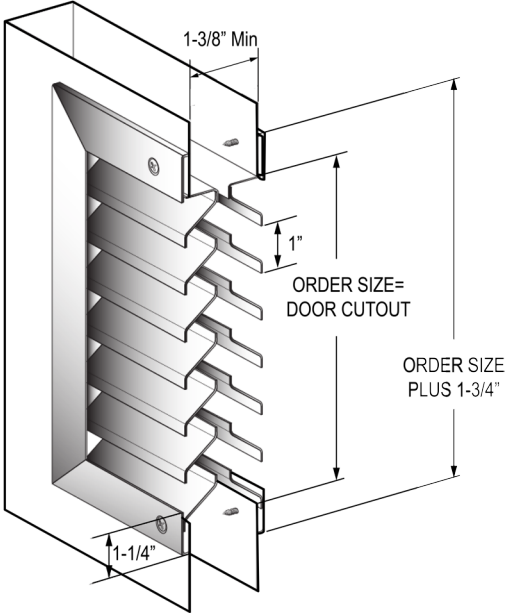
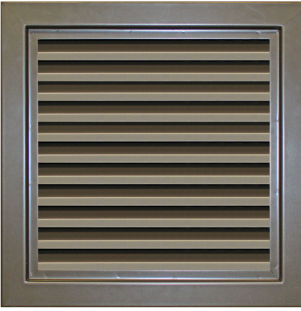

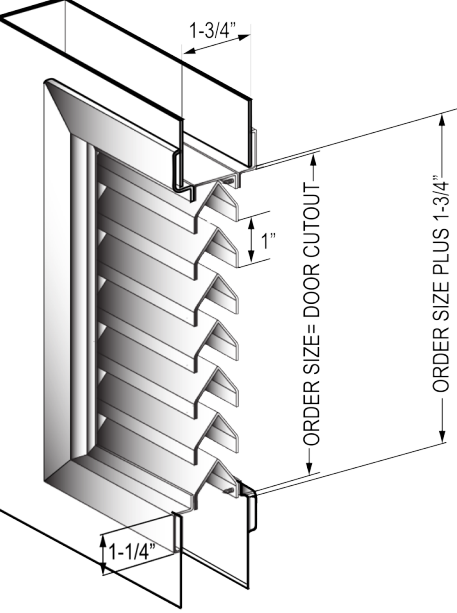


90 Minute Fire-Rated Steel Louvers*

YLV, Divided Reverse "Y" Blade, Inverted Louvers

ILLUSTRATION	SPECIFICATIONS	DIMENSIONS
 	<p>For use in fire-rated door applications under positive and neutral pressure Intertek testing certification in compliance to NFPA 252 (2000), UL 10C (2009), NFPA 252 (2012), CSI CODE 08 90 00 Louvers and Vents</p> <p>Specifications:</p> <ul style="list-style-type: none"> - 18 Gauge cold rolled steel frame and blades - Mitered welded corner frame construction - Divided row "Y" blades spaced at 1" increments with blocked vision design - Counter sunk mounting holes with screws for each side of doors - Minimum door size thickness 1 3/8" - Baked on powder coat finish - Color: Standard Bronze - Fasteners: Phillips pan head screw # 8 x 3/4" <p>Notes:</p> <ul style="list-style-type: none"> - Order size equal to opening size - Follow all door manufacturer's instructions for use and installation of all louver products - Optional Insect screen, see price list * Refer to pricelist for list of fire rated sizes 	

VLV, Inverted Y-Blade Louvers

ILLUSTRATION	SPECIFICATIONS	DIMENSIONS
 	<p>For use in fire rated door applications under positive and neutral pressure Intertek testing certification in compliance to NFPA 252 (2000), UL 10C (2009), NFPA 252 (2012), CSI CODE 08 90 00 Louvers and Vents</p> <p>Specifications:</p> <ul style="list-style-type: none"> - 18 Gauge cold rolled steel frame and blades - Mitered welded corner frame construction - Reverse "Y" blades are frame supported at 1" increments, with blocked vision design - Single side mounting for non-corridor exposure with fastening screws included - Designed for use on 1 3/4" doors only - Baked on powder coat finish - Color: Standard Bronze - Fasteners: Phillips pan head screw # 8 x 3/4" <p>Notes:</p> <ul style="list-style-type: none"> - Order size equal to opening size - Follow all door manufacturer's instructions for use and installation of all louver products - Optional Insect screen, see price list * Refer to pricelist for list of fire rated sizes 	

60-90 Minute Fire-Rated Fusible Link Louvers

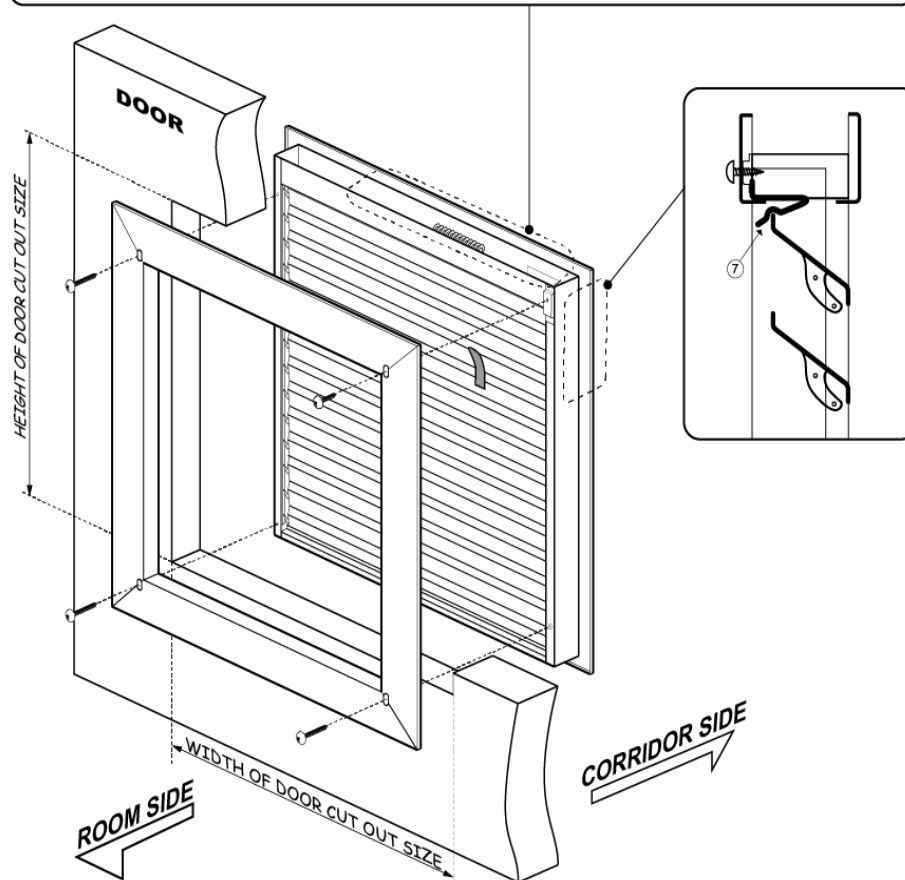
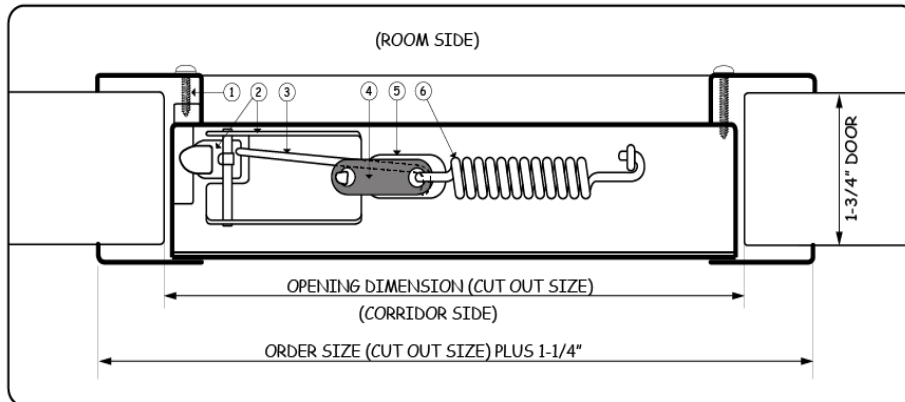
FLLV, Adjustable Fusible Link Louvers

Adjustable Fusible Link Louvers are recommended for use in rooms where ventilation is needed and at the same time isolating the room whenever fire is present. When louver is exposed to heat at 165°F, the fusible link trips and the spring loaded louver blades shut to form an air tight fire and smoke seal.

WHI Listing Mark with a 60-90 Minutes Fire Rating is stamped on the frame of the louvers.

Installation is easy. No need to drill holes for fasteners. All screws are mounted on the room side leaving the corridor side free of fasteners for security purposes.

Fuses are replaceable.



- ① Mounting Screws - # 8 phillips head (3 x 3/4" LG & 1 x 1/2" LG)
- ② Rocker Arm, Closing Bar and housing
- ③ "S" Hook - .080" Cadmium plated steel
- ④ Fusible link - Design temperature 165° F max
- ⑤ Heat opening - 1/2" x 1"
- ⑥ Tension spring - 3" LG x 1/2" dia x .063" thick Cadmium plated steel.
- ⑦ Flat Spring Clip

Standard Features:

Material: 16 Gauge CRS Frame & Louver Blades

Door: for 1 3/4" Doors only

Fasteners: 3 x 3/4" LG & 1 x 1/2" LG

Finish: Standard Bronze

Free Flow Area: 45% free

Construction:

- Welded & mitered corners
- Adjustable blades of 16-gauge CRS
- Cadmium plated steel rivets
- Cadmium plated steel tension spring
- 1 9/16" deep louver assembly
- Optional Insect screens, see price list