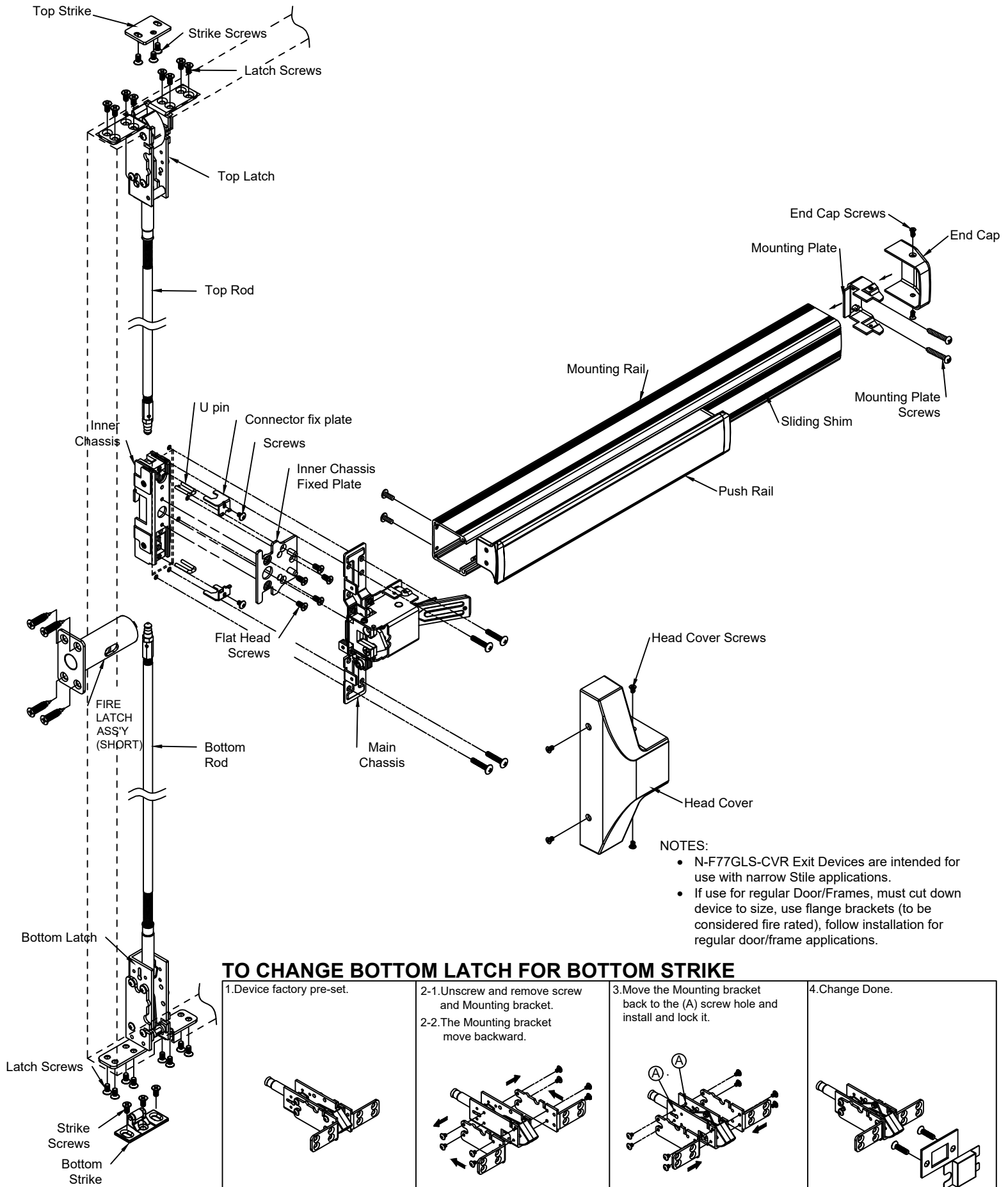




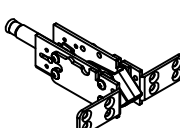
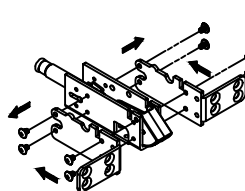
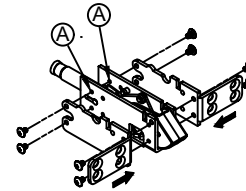
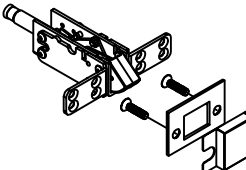
INSTALLATION INSTRUCTIONS N-F77GLS-CVR NARROW HEAD CONCEALED VERTICAL ROD EXIT DEVICE



NOTES:

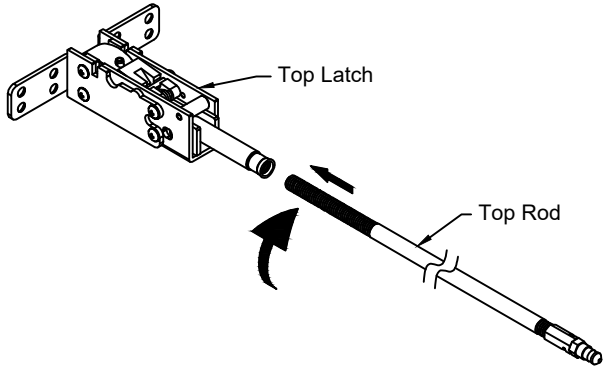
- N-F77GLS-CVR Exit Devices are intended for use with narrow Stile applications.
- If use for regular Door/Frames, must cut down device to size, use flange brackets (to be considered fire rated), follow installation for regular door/frame applications.

TO CHANGE BOTTOM LATCH FOR BOTTOM STRIKE

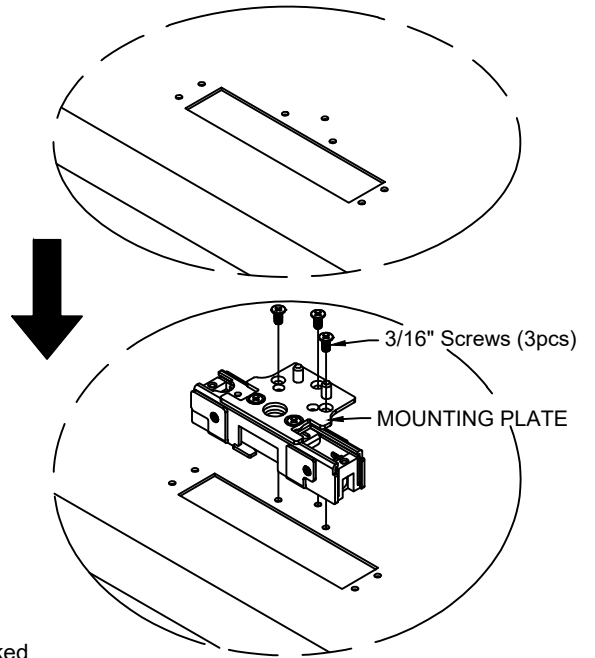
| | | | |
|---|--|--|--|
| <p>1. Device factory pre-set.</p>  | <p>2-1. Unscrew and remove screw and Mounting bracket.</p> <p>2-2. The Mounting bracket move backward.</p>  | <p>3. Move the Mounting bracket back to the (A) screw hole and install and lock it.</p>  | <p>4. Change Done.</p>  |
|---|--|--|--|

1. INSTALL INNER CHASSIS & TOP LATCH

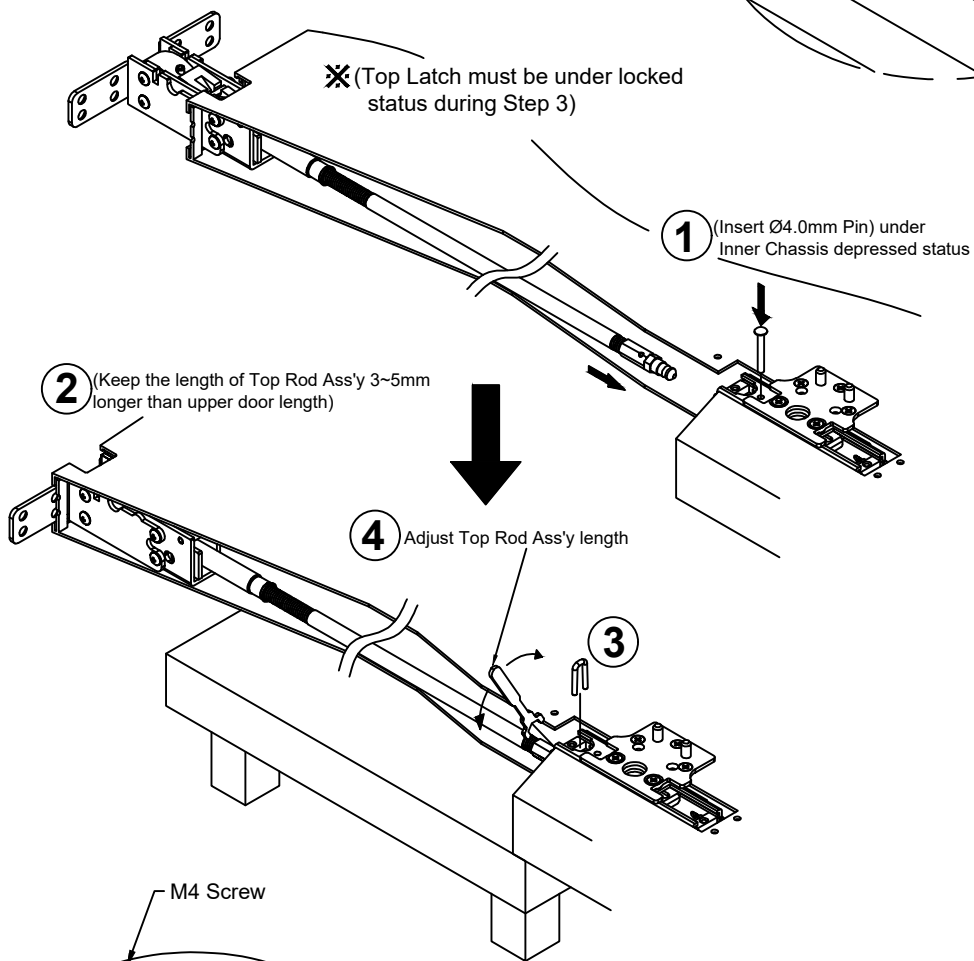
1-1



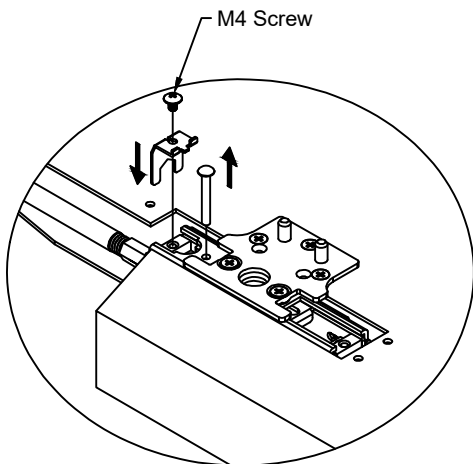
1-2



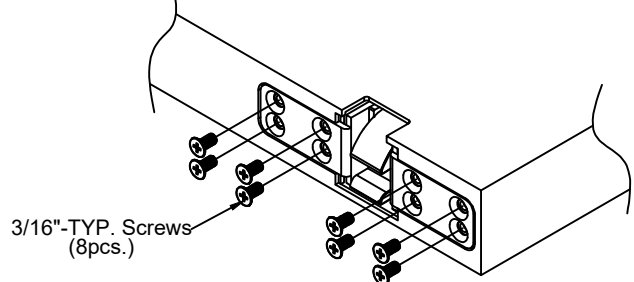
1-3



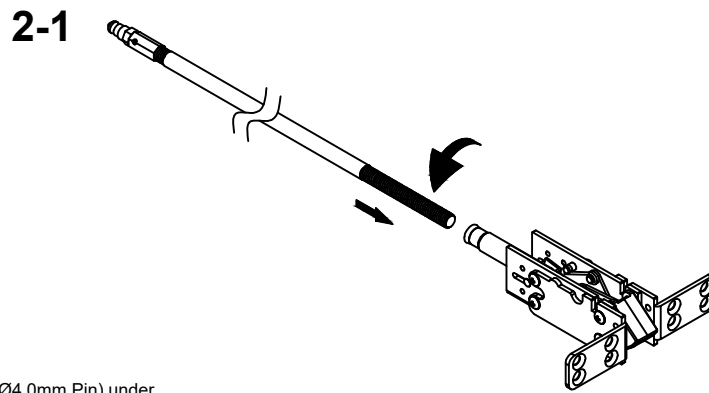
1-4



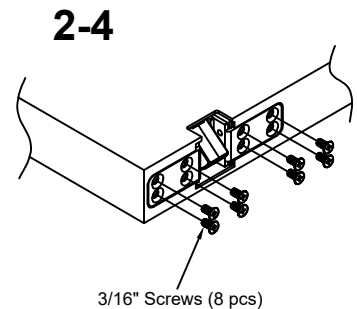
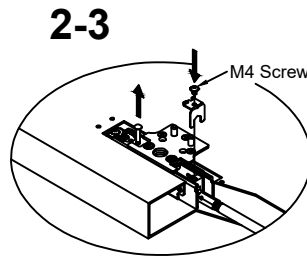
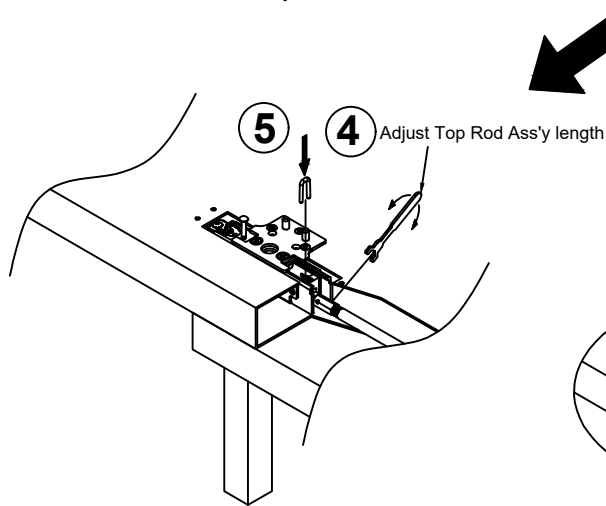
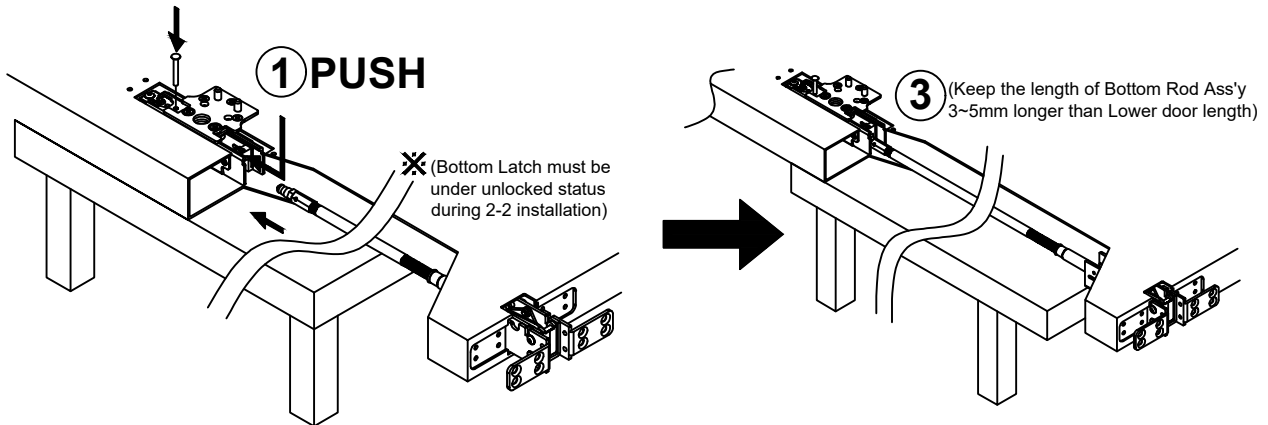
1-5



2. INSTALL BOTTOM LATCH (Skip this step if less Bottom Rod)

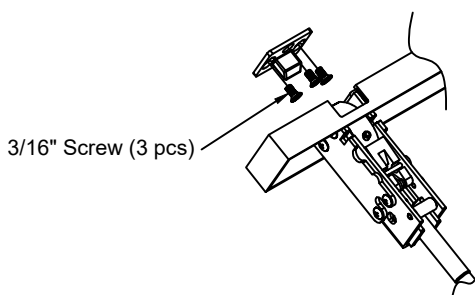


2-2 (2) (Insert Ø4.0mm Pin) under Inner chassis depressed status

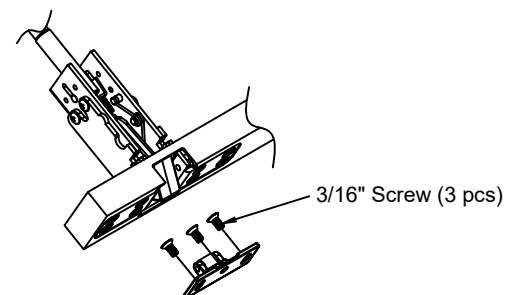


3. INSTALL TOP 7 BOTTOM STRIKE (Please Follow TEMPLATE)

3-1 Top Strike

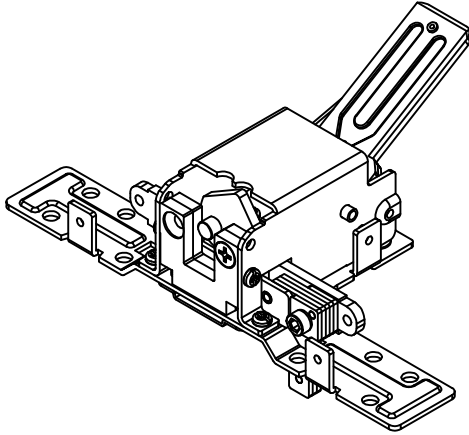


3-2 Bottom Strike

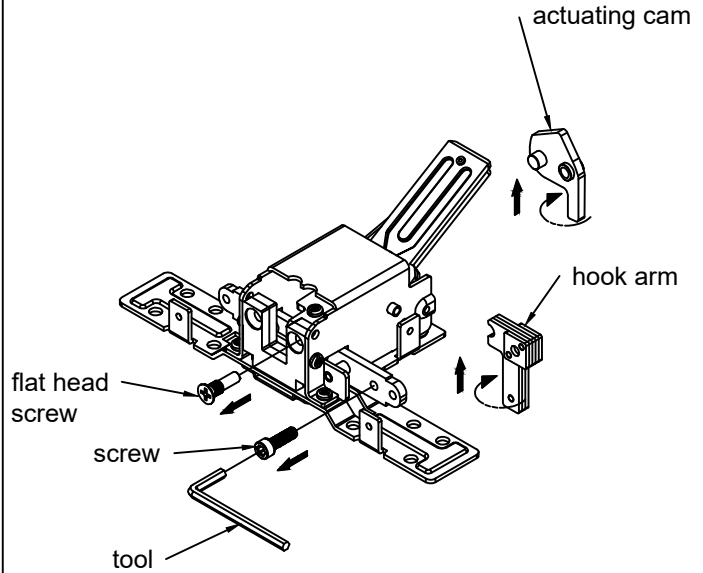


TO CHANGE HAND OF N-F77GLS-CVR VERTICAL ROD EXIT DEVICE

1. LHR

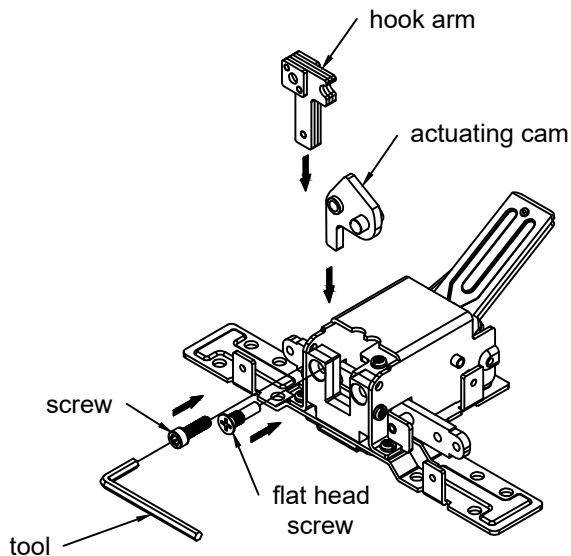


- 2-1. Loosen the screw & flat head screw to exit.
- 2-2. Remove actuating cam & hook arm.
- 2-2. Rotate 180° actuating cam & hook arm.



3-1. Reassemble actuating cam & hook cam at opposite side, as shown.

3-2. The locking screw



4. RHR Done.

