

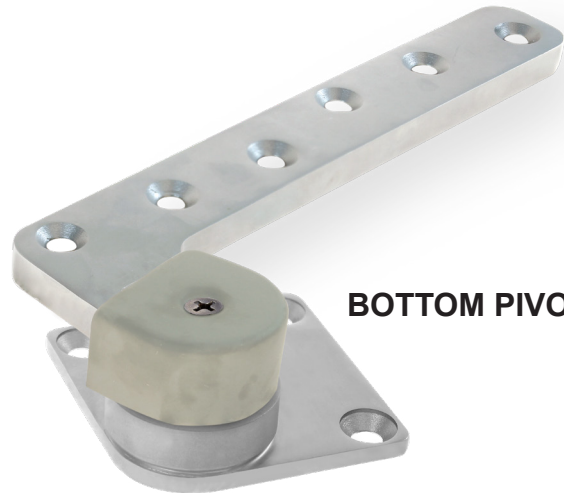
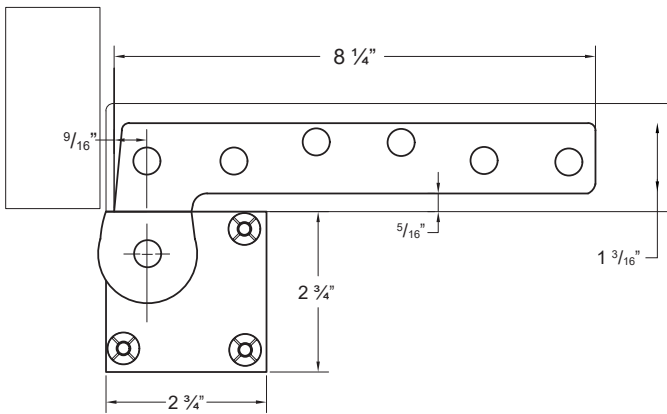
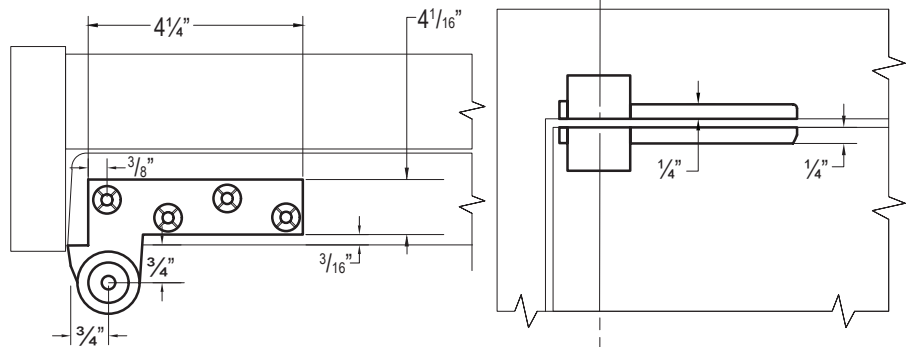
TOP AND BOTTOM OFFSET PIVOT SET PV001

MAIN FEATURES

- ▶ Full Mortise
- ▶ Non-Handed
- ▶ 3/4" Offset pivot
- ▶ Standard top pivot for most offset pivot sets and floor closers
- ▶ Use with 1 3/4" door minimum thickness with 1/8" bevel in 2"
- ▶ Maximum door load: 600 pounds
- ▶ Vertical adjustment range 3/16"
- ▶ Stainless Steel material with high corrosion resistance
- ▶ *Top and bottom pivot is sold as set*



TOP PIVOT



BOTTOM PIVOT

