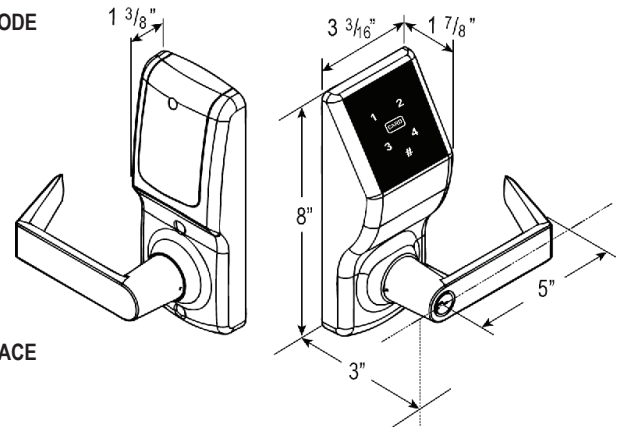


PL7100 Series

**HEAVY DUTY, GRADE 1, COMMERCIAL PHONE LOCK WITH CLUTCH
APPLE AND ANDROID COMPATIBLE**

- ▶ APPLE AND ANDROID COMPATIBLE
- ▶ BLE (BLUETOOTH LOW ENERGY) MANAGEMENT
- ▶ OPTIONAL GATEWAY CONNECTIVITY (REMOTE MANAGEMENT THROUGH THE INTERNET)
- ▶ 6-12 DIGIT COMBINATION CODE
- ▶ DIGITAL TOUCHSCREEN
- ▶ 1 ADMIN PHONE, 49 CLIENT PHONES PER LOCK
- ▶ 50 TOUCHSCREEN COMBINATIONS PER LOCK
- ▶ 50 RFID CARDS / KEY-FOBS PER LOCK
- ▶ 1 ADMIN PHONE CAN MANAGE UP TO 250 LOCKS
- ▶ TIMESTAMPED ACCESS LOG (10,000 AUDIT TRAIL ENTRIES THROUGH K3 APP)
- ▶ REMOTE SWITCH CONNECTOR
- ▶ EMERGENCY KEY OVERRIDE
- ▶ ALARM SYSTEM CONNECTOR
- ▶ PROXIMITY RFID CARD (13.56 MHZ) STANDARD
- ▶ RFID KEY-FOB (OPTIONAL)
- ▶ INDIVIDUAL USER ACCESS MODE
- ▶ PASSAGE MODE
- ▶ WEATHER RESISTANT
- ▶ BUZZER & LED INDICATORS
- ▶ ANTI-TAMPER LOCKOUT
- ▶ LOW BATTERY WARNING
- ▶ NON-HANDED, REVERSIBLE
- ▶ CLUTCH TECHNOLOGY
- ▶ EMERGENCY POWER INTERFACE
- ▶ 2 YEAR WARRANTY




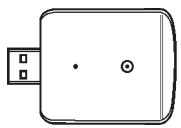
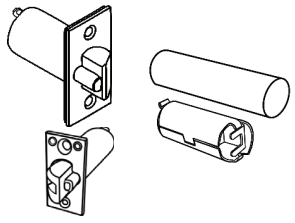

FUNCTIONS	ITEM #	FINISHES					MC QTY
Entrance	PL7100	US26D	US10B	US4	US3	US26	6

▶ **CYLINDER & KEYWAYS:** 6-pin solid brass "C" keyway standard. Optional: Schlage E, Schlage C-K, Russwin D1-2-3-4, Corbin 59 / 60, Corbin-Russwin L4, Sargent LA-LB-LC, Falcon / Weiser E, Arrow A, Yale 8, Yale GA and Kwikset. Can also accept Medeco, Assa, Kaba and **Cal-Royal HSK** High Security Cylinders. See page L131 for keying and Cylinder PART#.

▶ **PACKAGING:** Includes 2 3/4" x 1 1/8" backset, 6 Pin "C" Keyway, 2 RFID Cards, 4 Batteries, and ASA Strike.

▶ **ADDITIONAL PARTS**

Backsets: UL listed 2 3/8", 2 1/4" x 1 1/8" faceplate,

ILLUSTRATION	ITEM #	DESCRIPTION	FINISH	UNIT
	CRPRFID	Extra RFID card. Operates at 13.56MHz in accordance with ISO 14443A. Inductive distance up to 1 3/16"	---	Each
	RFID-KF	RFID Key Fob	---	Each
	BLEGW-99	Wireless Internet to Bluetooth Low Energy Signal Converter (BRIDGE)	---	Each
	CALSLD238	CAL Series Dead Latch 2 3/8", 2 1/4" x 1 1/8" Faceplate	US26D	Each
	CAL334 EXT	CAL Series 3 3/4" Extension Link To be used with CALSLD238	---	Each
	CAL5 EXT	CAL Series 5" Extension Link	---	Each
	CAL750	2 3/4" Backset, 2 1/4" x 1 1/8" faceplate, 3/4" throw, anti-friction dead latch for pairs of fire doors	US26D	Each
	TS	T-Strike	US26D, 10B	Each
	FLS	Full Lip Strike		