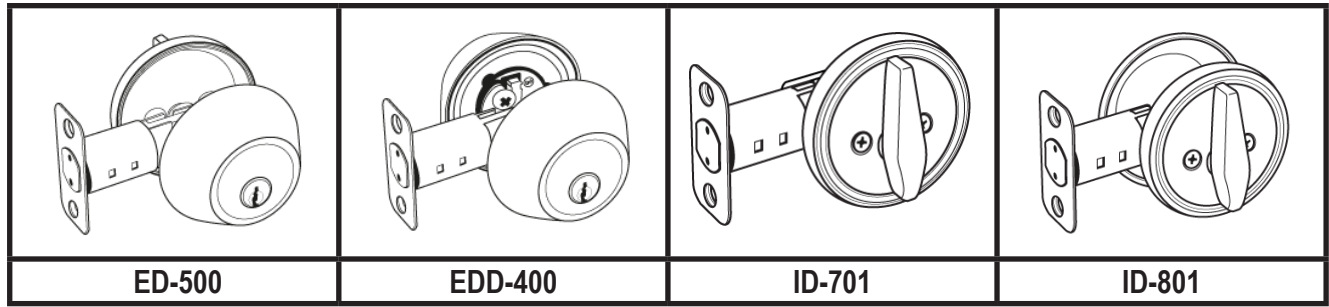



► **CHELSIE SERIES DEADBOLT DESIGNS**



FUNCTIONS	ITEM #	FINISH	PCS / MC
Single cylinder deadbolt	ED-500	US3, 15, 26D, 10B, 1, 15A, 5, 32D, 26	36
Single cylinder deadbolt 	ULED-500		
Double cylinder deadbolt	EDD-400		
One sided deadbolt	ID-701		
One sided deadbolt with exterior cover plate	ID-801		

► **LEVERSET PACKAGING INCLUDES**

- Adjustable steel 2 3/8" and 2 3/4" backset (2 1/4" x 1", 1/4" radius). Drive in latch bolt also available on request. Square corner available on request on special factory order with lead time and subject to minimum quantity.
- All locksets are packed with full lip strike round corner 1/4" radius. Square corner available on request.
- Kwikset rekeyable 5 pin cylinder.

► **DEADBOLT AND HANDLESET PACKAGING INCLUDES:**

- Adjustable steel 2 3/8" and 2 3/4" backset (2 1/4" x 1", 1/4" radius). Drive in latch bolt also available on request. Square corner available upon request on special factory order with lead time.
- Deadbolts packed with 1" x 2 1/4" strike round corner 1/4" radius and full lip strike 1/4" radius. Square corner available upon request. On special factory order with lead time. Security strike (1 1/4" x 3 5/8", 1/4" radius) with 3" screws available with an additional charge.
- Kwikset rekeyable 5 pin cylinder.