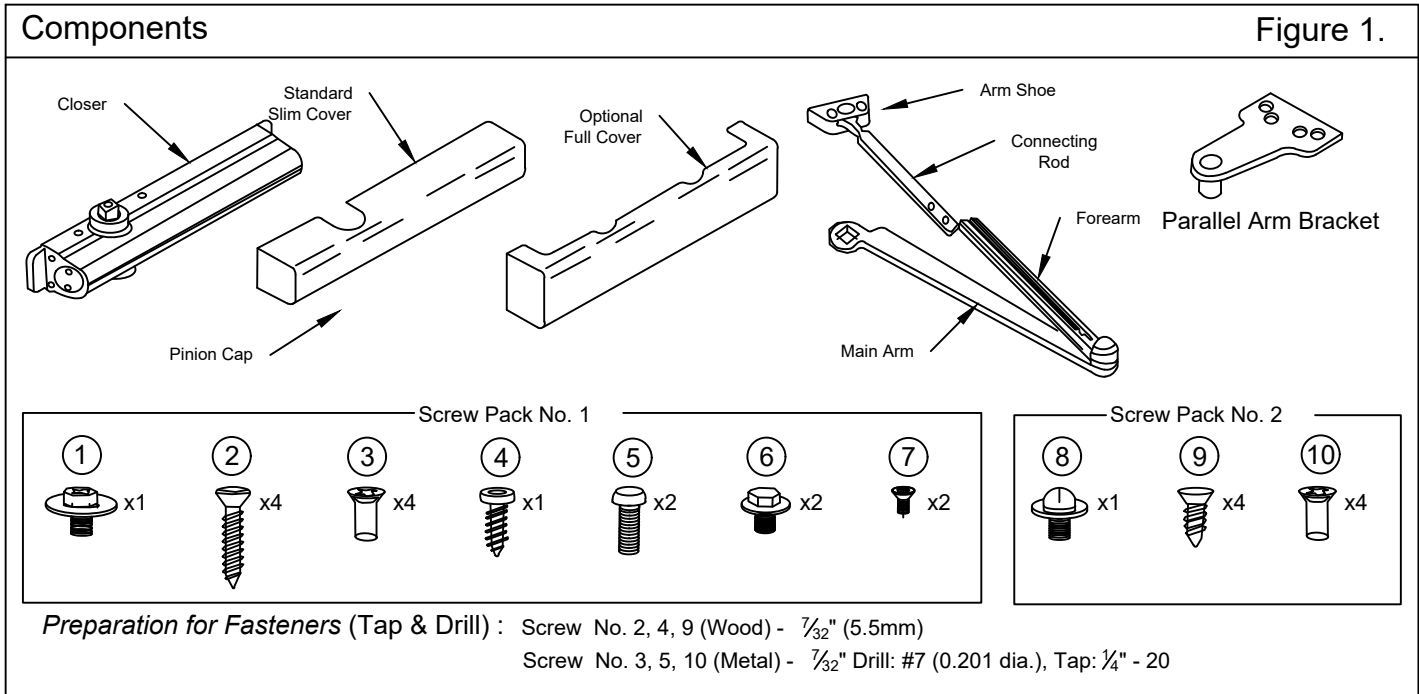


Non Hold Open Door Closer



Unit Adjustment

Control Valve Adjustments

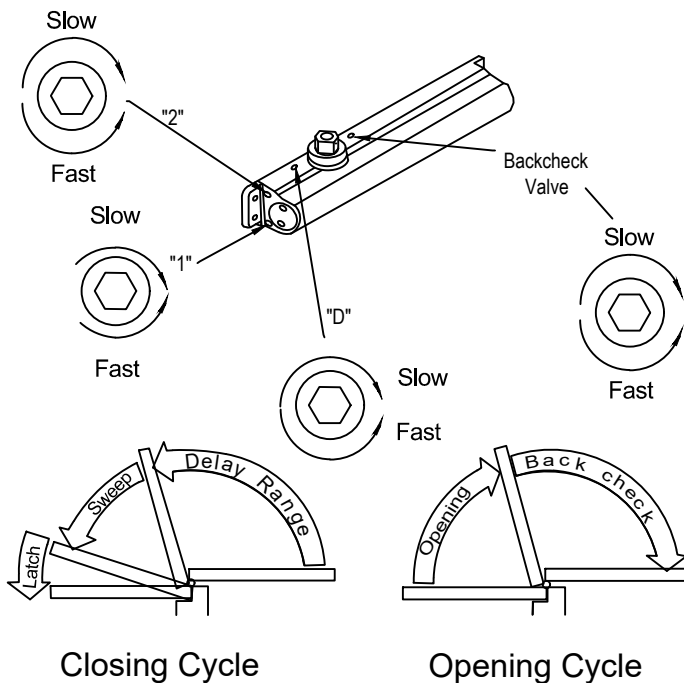
(See Figure 2)

Closing Speed Controls (Figure 2)

- Valve "1" Control Sweep Range.
- Valve "2" Control Latch Range.
- Valve "D" Control Delay Range. (Optional)

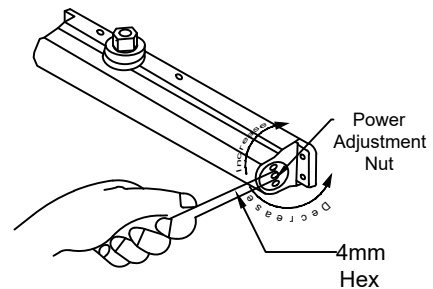
Opening Cycle

- "Backcheck" valve controls the strength of cushioning in Backcheck Range. NEVER close this valve completely- it is not to provide a positive stop. (see Figure2).



Closing Power Adjustment

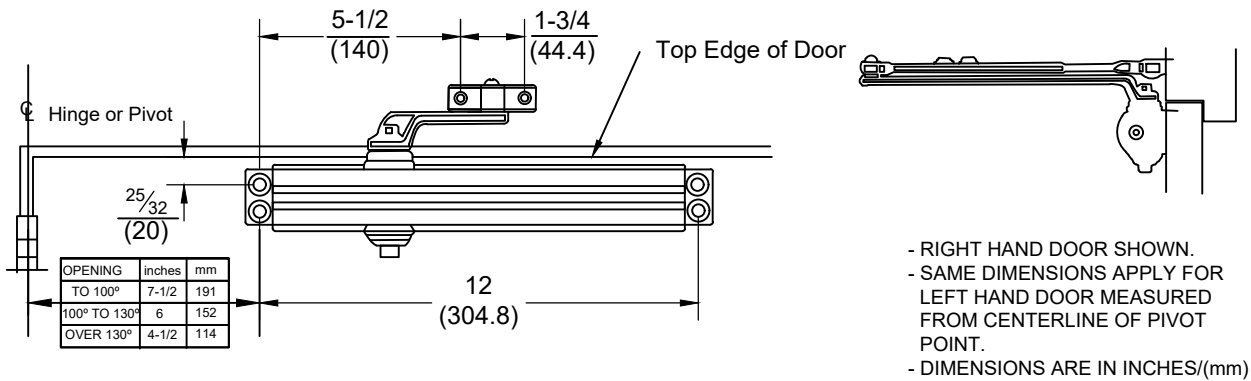
Using "Power Adjustment Chart" from page 3, 4 or 5, Select the correct number of turns for power adjustment nut that corresponds with the installation. with 4mm Hex key, rotate adjustment nut full 360° clockwise turns to desired setting. after closer has been installed and proper adjustment made to the sweep and latch, it may be necessary to re-adjust spring power for good. closing action.



ADJUST SPRING POWER	
CLOSER SIZE	CLOCKWISE TURNS OF ADJUSTING NUT
1	0
2	2
3	4
4	8
5	12
6	16

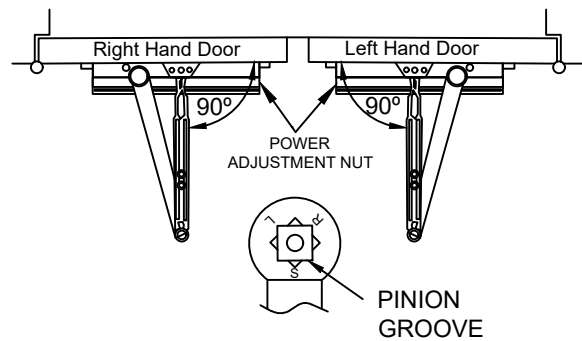
Regular Arm

Template



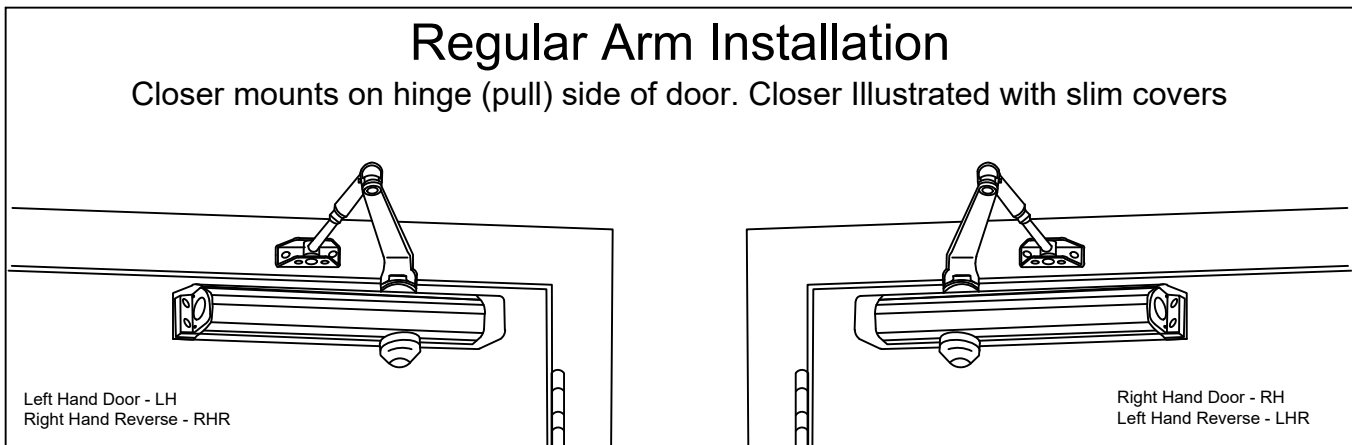
PLEASE NOTE:

- This drawing is not to full scale.
- Therefore, do not use it as your template to locate the hole positions while you fabricate your door and frame for the installation of this product.
- Instead make the measurement needed manually without the use of the enclosed template which is not full scale.



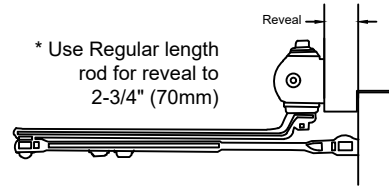
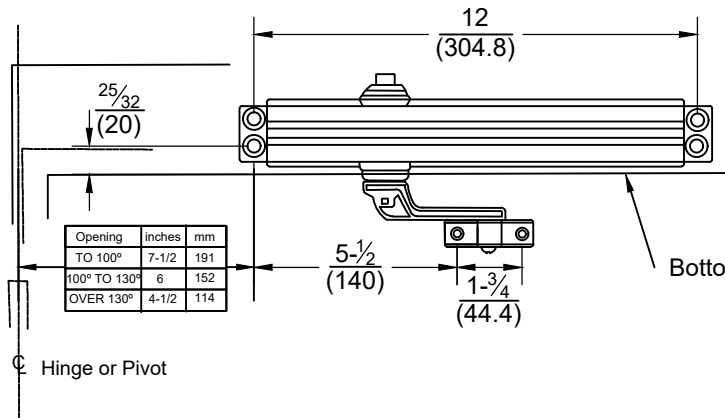
INSTALLATION INSTRUCTIONS:

- Select angle of opening and use dimension shown to locate 4 HOLE ON DOOR for closer body and 2 HOLES ON FRAME face for arm shoe.
- Prepare door and frame for fasteners. See "Preparation for Fasteners", page 1 - figure 1.
- Set closing power for door size using Chart see page 1 - figure 3.
- Mount closer body on door with screws ② or ③ page 1 - figure 1. be sure that power adjustment nut is away from hinge.
- Place main arm on closer pinion shaft with screw ① page 1 - figure 1. indexing main arm mark "S" with pinion groove as shown at right.
- Fix arm shoe to frame with screws ④ or ⑤ page 1 - figure 1.
- Insert connection rod into forearm.
- Pull main arm toward opposite side of hinge so that connecting rod will be perpendicular to door. fix connecting rod on forearm using screws ⑥ page 1 - figure 1.
- Adjust closer and install cover and pinion cap. (When full cover is installed, use screws ⑦ page 2 - figure 1)
- See page 1 (figure 2.) for closer adjustment.



Top Jamb

Template

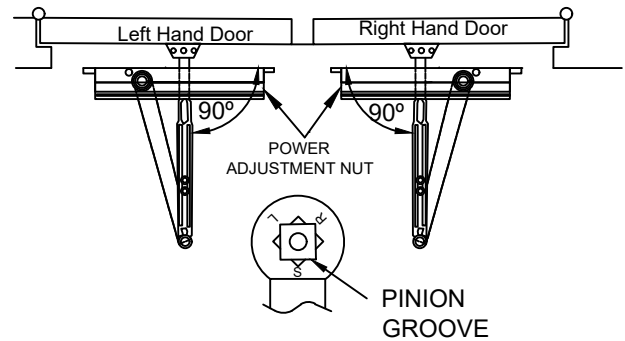


Bottom of Frame

- RIGHT HAND DOOR SHOWN.
- SAME DIMENSIONS APPLY FOR LEFT HAND DOOR MEASURED FROM CENTERLINE OF PIVOT POINT.
- DIMENSIONS ARE IN INCHES/(mm)

PLEASE NOTE:

- This drawing is not to full scale.
- Therefore, do not use it as your template to locate the hole positions while you fabricate your door and frame for the installation of this product.
- Instead make the measurement needed manually without the use of the enclosed template which is not full scale.

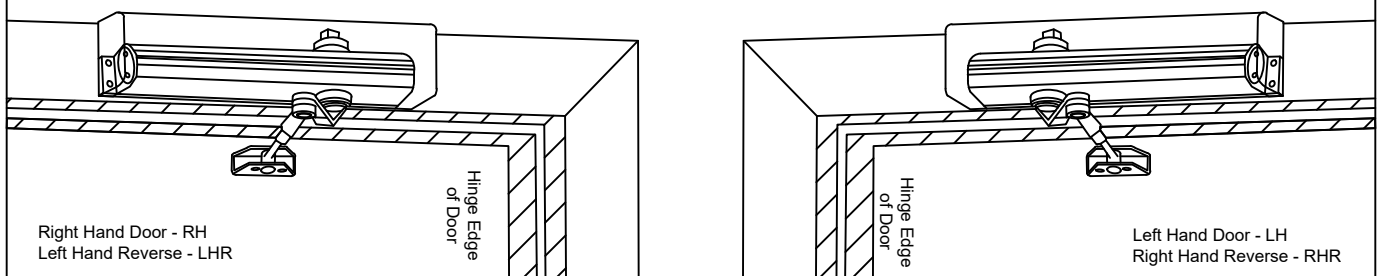


INSTALLATION INSTRUCTIONS:

- Select angle of opening and use dimension shown to locate 4 HOLE ON FRAME for closer body and 2 HOLES ON DOOR face for arm shoe.
- Prepare door and frame for fasteners. See "Preparation Fasteners", page 1 - figure 1.
- Set closing power for door size using Chart see page 1 - figure 3.
- Mount closer body on door with screws ② or ③ page 1 - figure 1. be sure that power adjustment nut is away from hinge.
- Place main arm on closer pinion shaft with screw ① page 1 - figure 1. indexing main arm mark "S" with pinion groove as shown at right.
- Fix arm shoe to frame with screws ④ or ⑤ page 1 - figure 1.
- Insert connection rod into forearm.
- Pull main arm toward opposite side of hinge so that connecting rod will be perpendicular to door. fix connecting rod on forearm using screws ⑥ page 1 - figure 1.
- Adjust closer and install cover and pinion cap. (When full cover is installed, use screws ⑦ page 2 - figure 1)
- See page 1 (figure 2.) for closer adjustment.

Top Jamb Installation

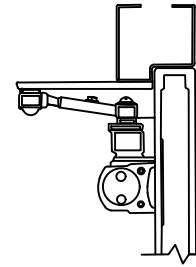
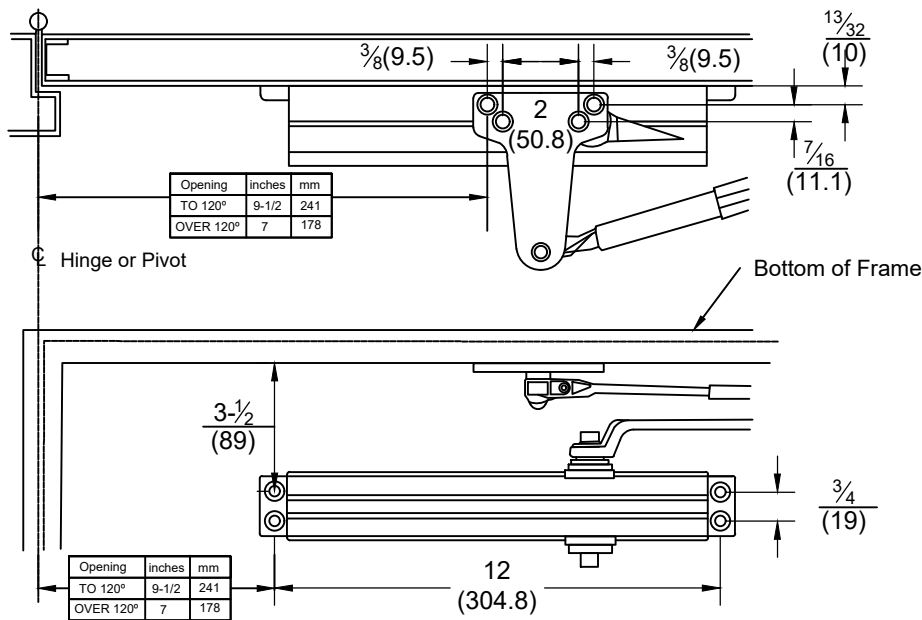
Closer mounts on frame face on opposite to hinge (push) side of door. Closer Illustrated with full covers



Paralle Arm

Installation
Instructions

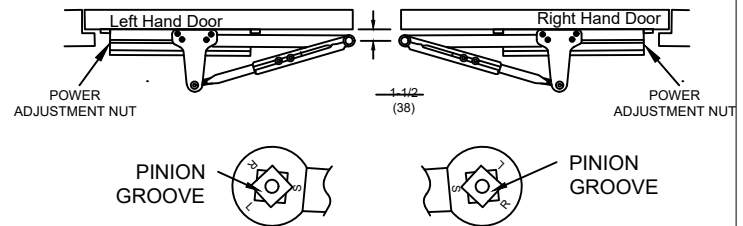
Template



- RIGHT HAND DOOR SHOWN.
- SAME DIMENSIONS APPLY FOR LEFT HAND DOOR MEASURED FROM CENTERLINE OF PIVOT POINT.
- DIMENSIONS ARE IN INCHES/(mm)

PLEASE NOTE:

- This drawing is not to full scale.
- Therefore, do not use it as your template to locate the hole positions while you fabricate your door and frame for the installation of this product.
- Instead make the measurement needed manually without the use of the enclosed template which is not full scale.



INSTALLATION INSTRUCTIONS:

- Select angle of opening and use dimension shown to locate 4 HOLE ON DOOR for closer body and 4 HOLES ON FRAME face for parallel arm bracket.
- Prepare door and frame for fasteners. See "Preparation Fasteners", page 1 - figure 3.
- Set closing power for door size using Chart see page 1 - figure 3.
- Mount closer body on door with screws ② or ③ page 1 - figure 1. be sure that power adjustment nut is away from hinge.
- Place main arm on closer pinion shaft with screw ① page 1 - figure 3. indexing main arm mark "L" or "R" with pinion groove as shown at right.
- Fix arm shoe to frame with screws ⑨ or ⑩ page 1- figure 1.
- Disconnect arm shoe from connecting rod by removing screw. Remove arm shoe from connecting rod and discard. Assemble parallel arm bracket to connecting rod with screw ⑧ page 1 - figure 1.
- Insert connection rod into forearm.
- With door closed, adjust length of forearm and connecting rod so that the tip of the main arm is 1-1/2" (38mm). From parallel with door. Secure with screws ⑥ page 2.
- Adjust closer and install cover and pinion cap. (When full cover is installed, use screws ⑦ page 2- figure 1)
- See page 1 (figure 2.) for closer adjustment.

Parallel Arm Installation

Closer mounts opposite to hinge (push) side of door. Closer Illustrated without covers.

