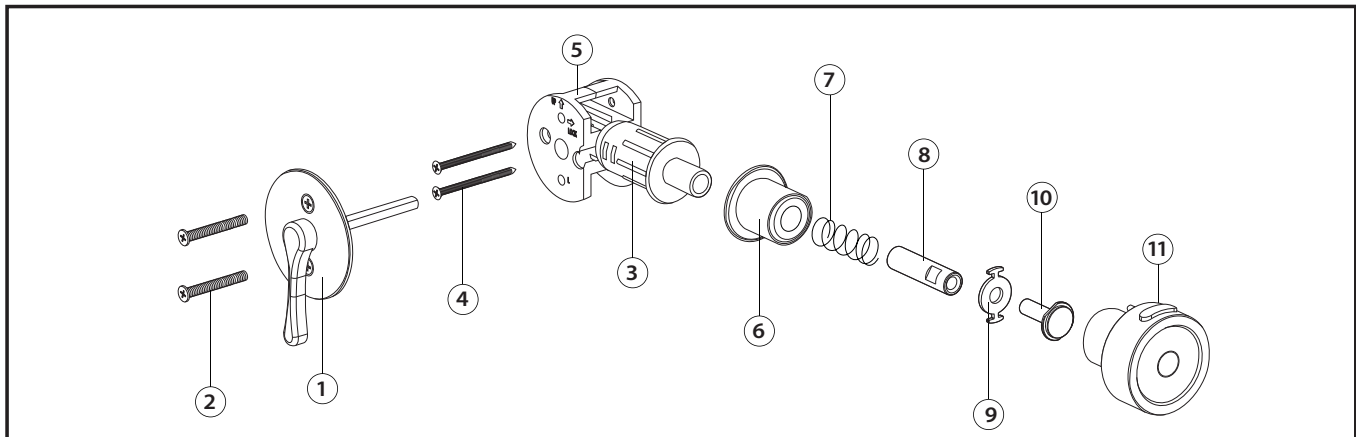
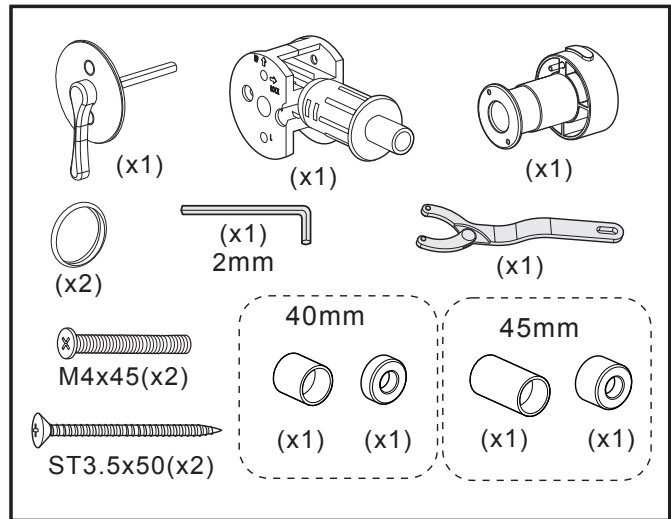
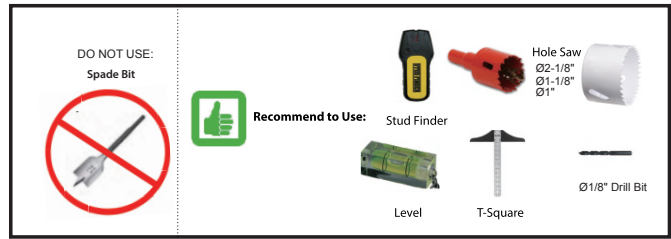
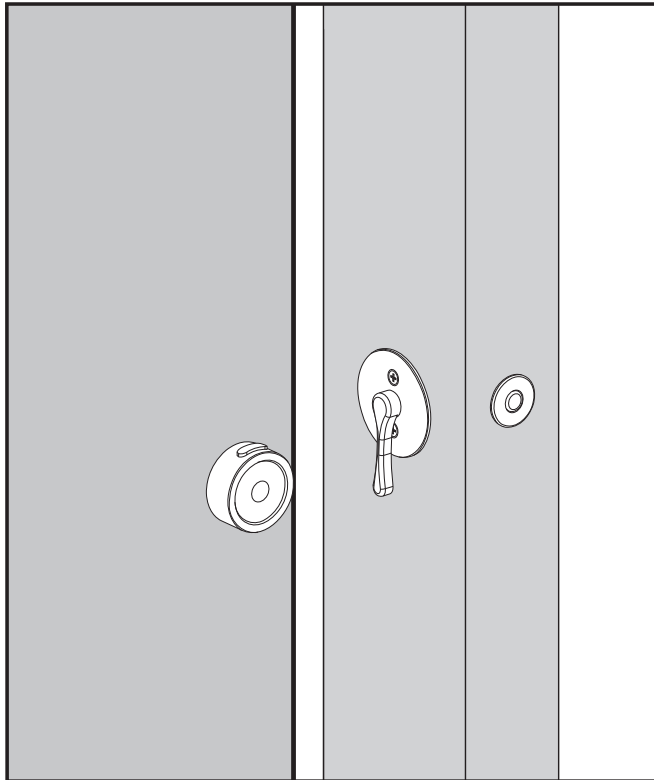
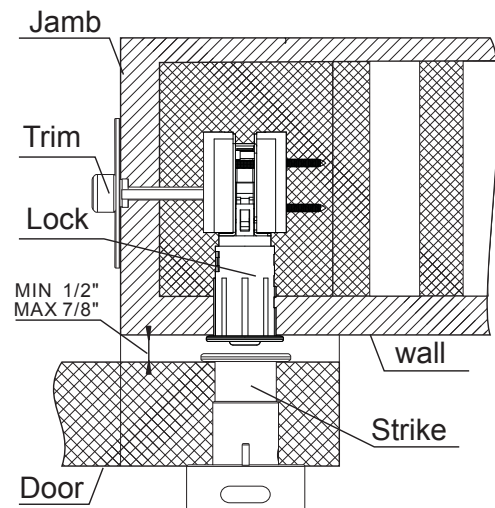


Installation manual for SDLP-RND-ADA

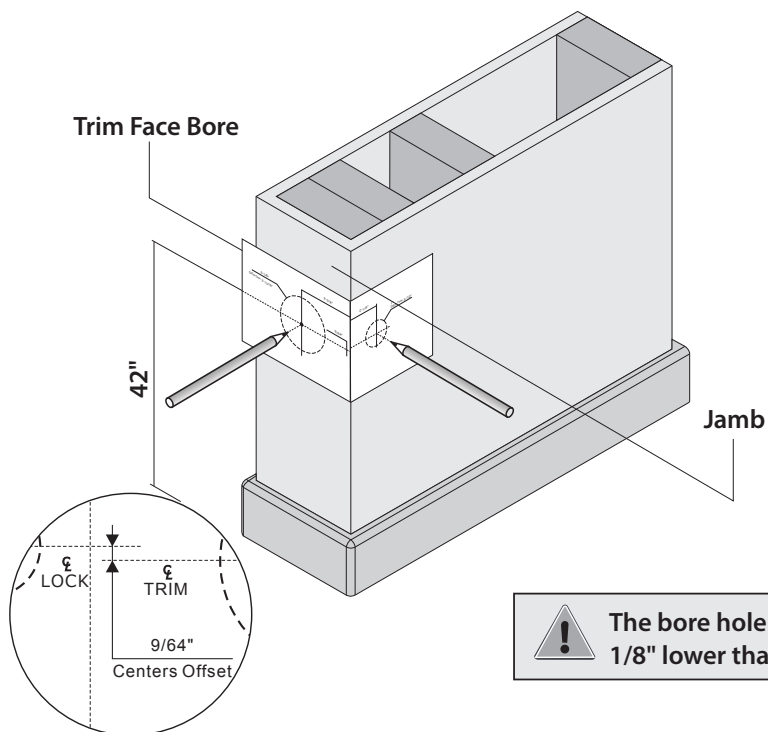


Item	No.	Description
Trim Parts	1	Face Fixing Trim with Spindle
	2	M4 x 45 Slotted Head Screws
Lock	3	Barn Door Lock
	4	ST3.5 x 50 Wood Screws
	5	Lock Bracket
Strike	6	Dust Proof Strike
	7	Spring
	8	Sleeve
	9	Washer
Others	10	Screw
	11	Button



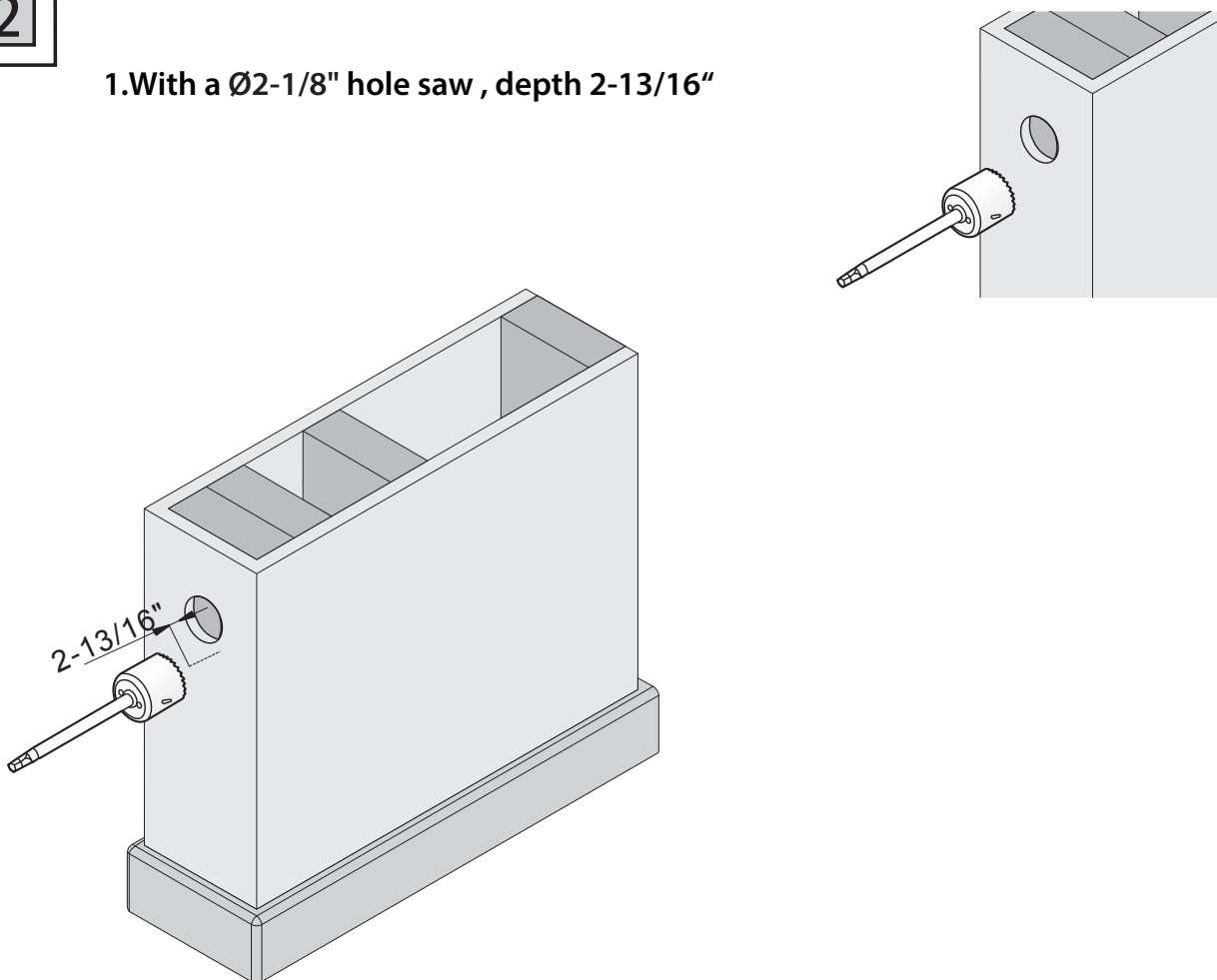
1

Remove Barn Door. Use template to mark pilot hole.



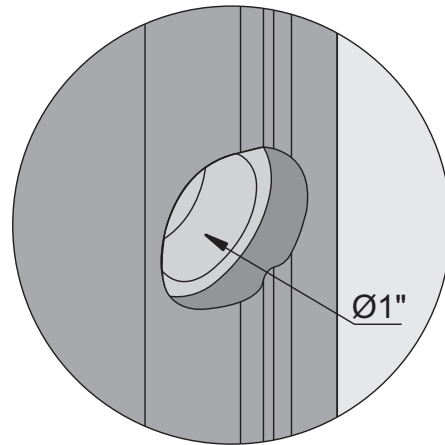
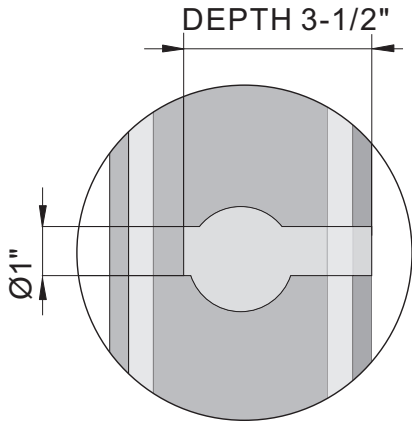
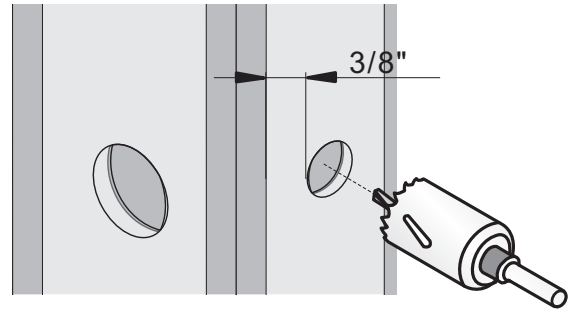
2

1. With a $\text{Ø}2\text{-}1/8$ " hole saw, depth $2\text{-}13/16$ "



3

1. Double check lock bore distance from Step 1. Refer to template markings to ensure both lock and strike pilot holes are within door overlap requirements. Keep 3/8" safety margin to edges.



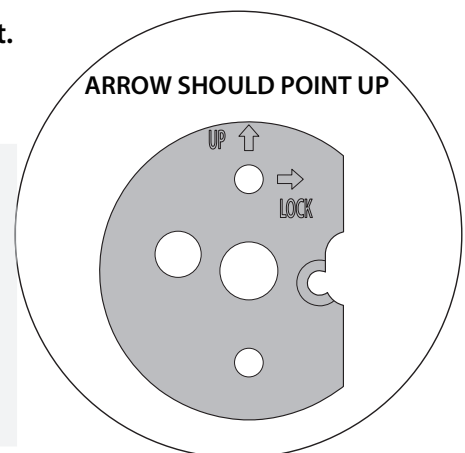
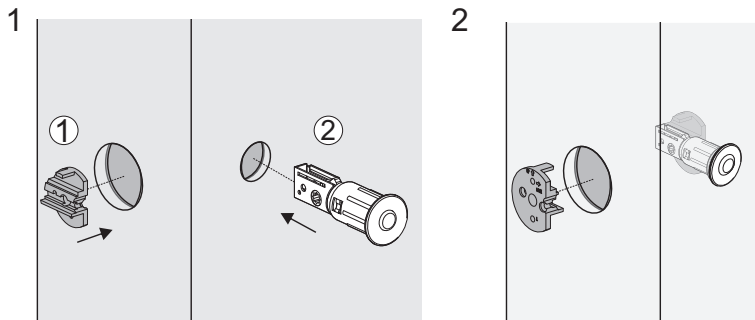
Do not drill too deep, you may damage the wall on the other side.

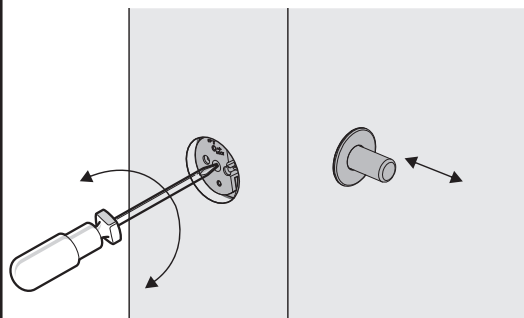
4

A) For drywall and casing less than 1-5/8":

4.1) Insert bracket into trim bore

4.2) Insert lock bolt into lock bore and fit into bracket slot.

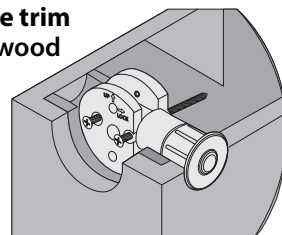




TIP: Before drilling, cover area around the bore hole with masking tape to test bolt retraction; if not smooth, troubleshoot as follows:

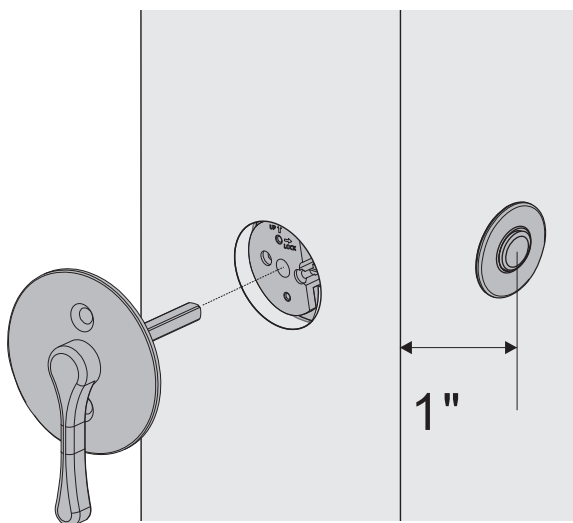
- Check $\text{Ø}2\text{-}1/8\text{'}$ trim bore dimensions
- Ensure hole is free of debris
- Make sure 1" lock bore is perpendicular to trim bore
- Check lock by removing it from bore and throwing the bolt. Adjust wall prep as needed

4.5) Fasten the two wood screws inside the trim bore hole through lock body and into wood stud.

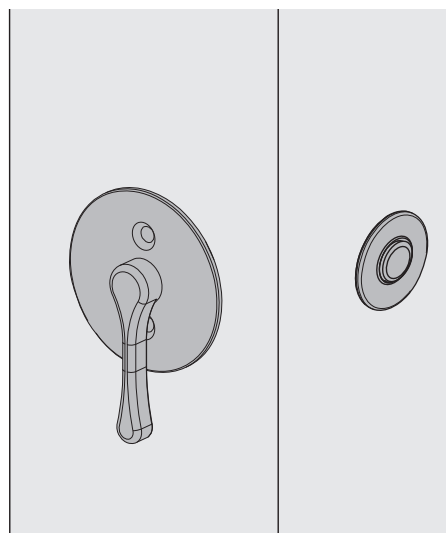


5

1. Cut spindle and screw to accommodate wall side backset.

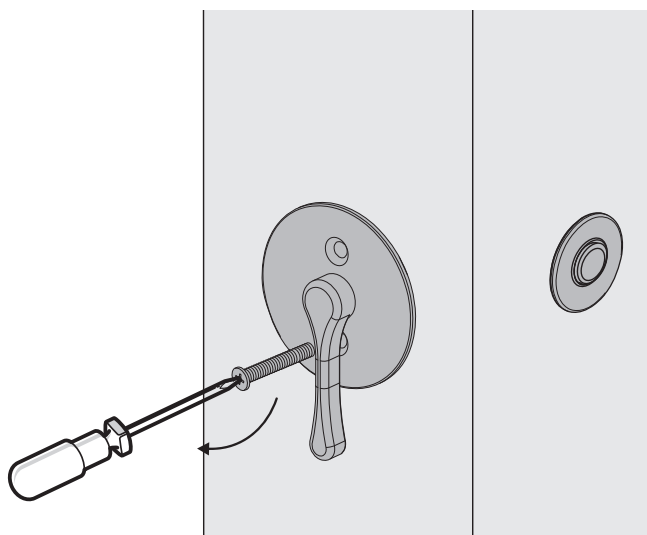


2. Insert trim into spindle hole. Use thumb turn to test lock bolt movement.

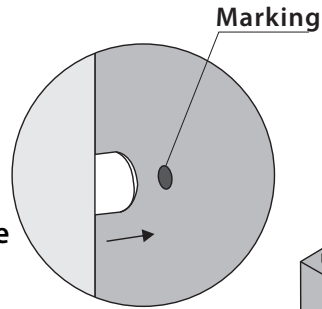


3. Fasten trim screws until trim is tight to jamb surface.

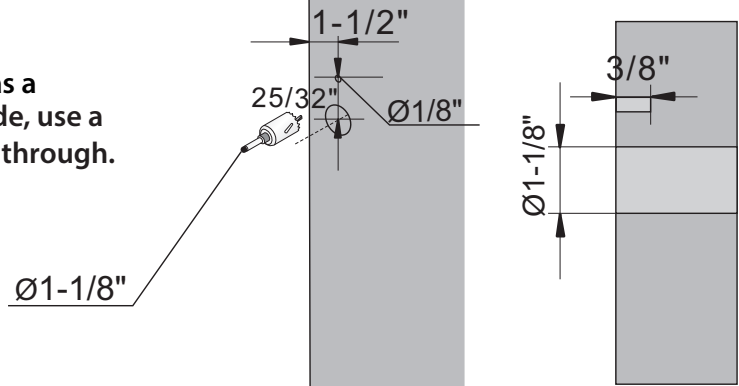
NOTE: Do not over tighten.



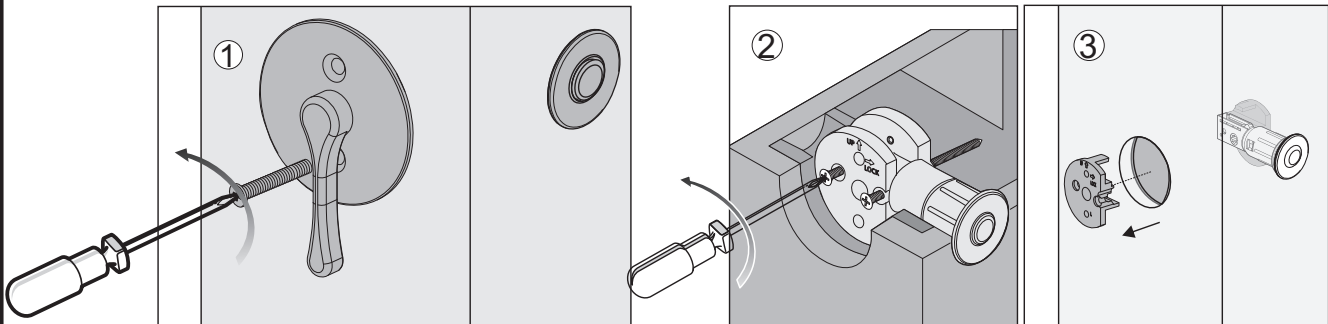
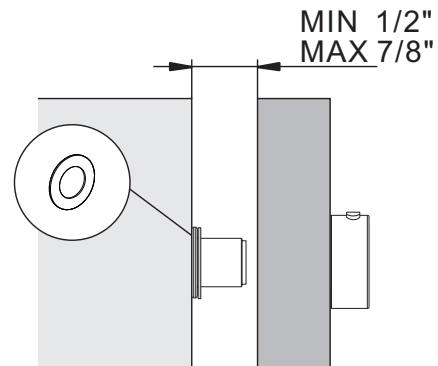
1. Move the Barn Door to the Closed position; throw the lock bolt to mark the exact strike center position. Make sure this location is minimum 1-1/2" to the edge of the door.

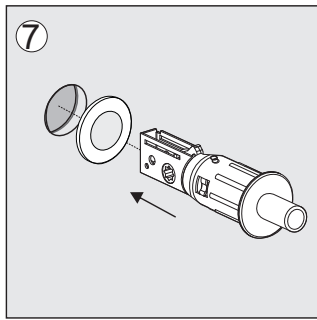
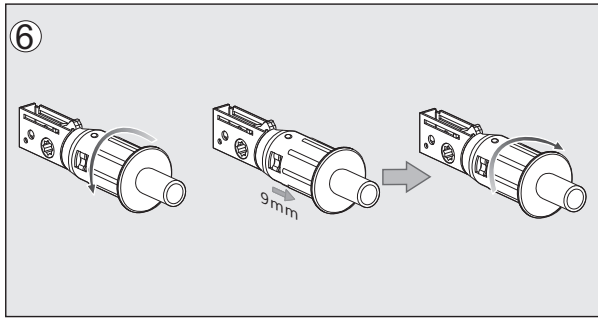
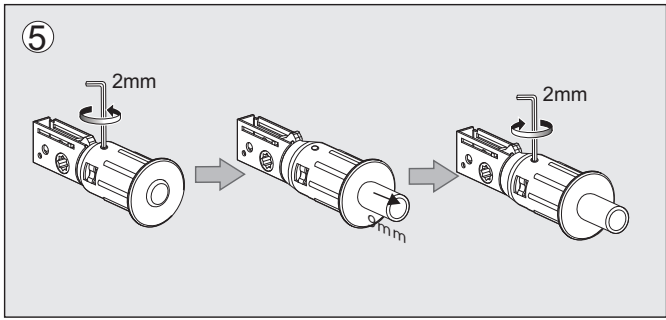
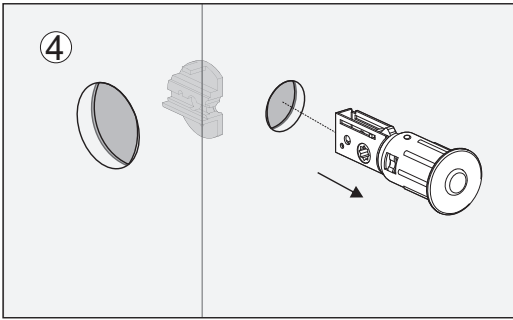


2. Using the strike center position as a guide, With the pilot hole as guide, use a 1-1/8" diameter hole saw to drill through.

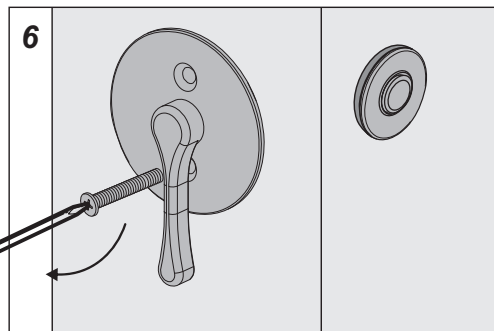
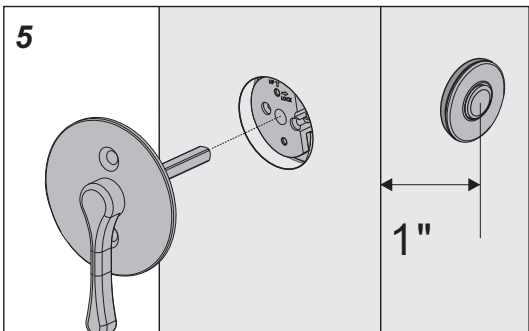
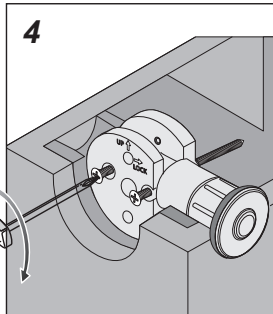
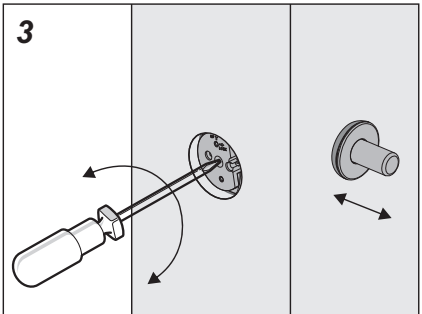
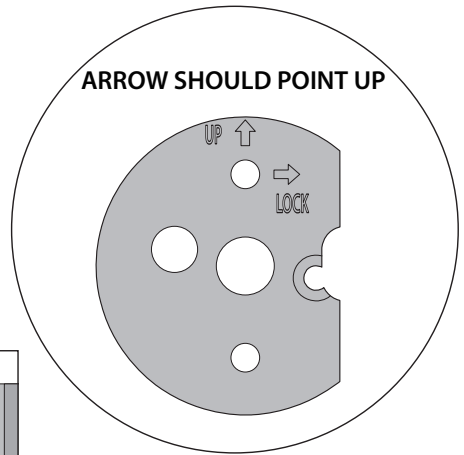
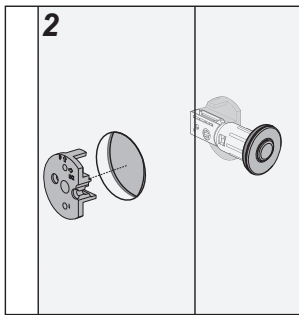
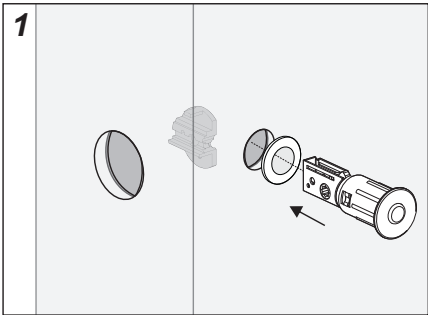


Note: Standard Barn Door to wall clearance is approximately 7/8" to 1/2". Install additional spacer as needed behind the strike faceplate if the door to wall clearance is over 1/2". Additional spacers can support maximum clearance of 7/8" between door and wall.

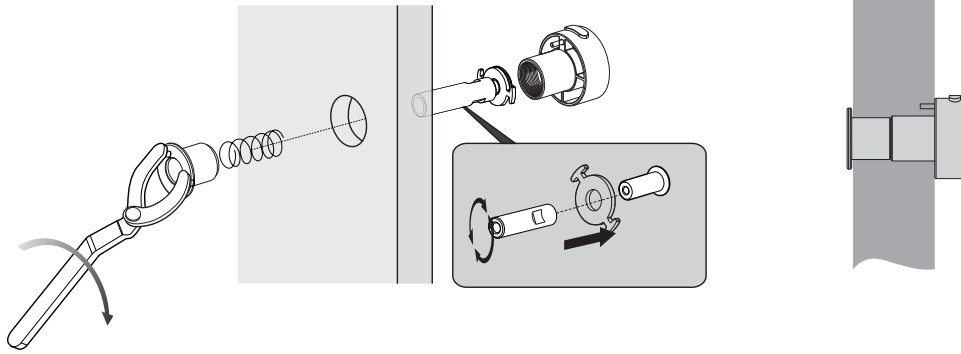




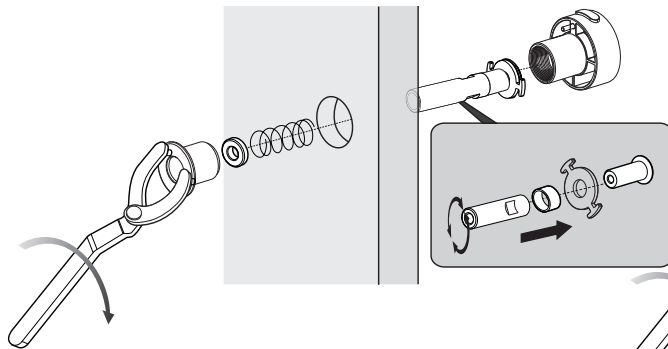
7



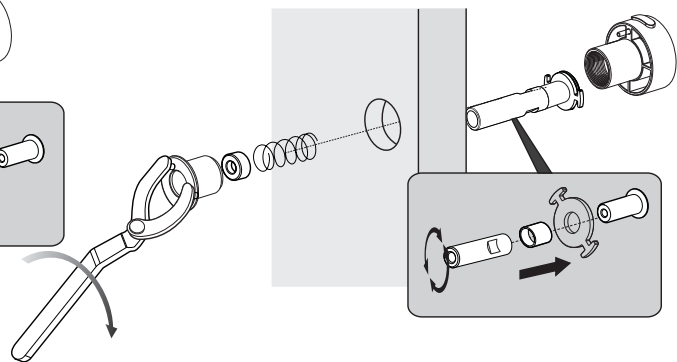
When the width of the door is 35mm:



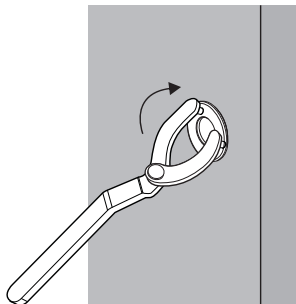
When the width of the door is 40mm:



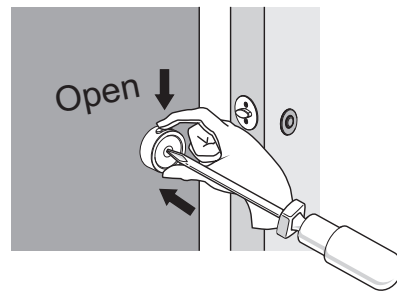
When the width of the door is 45mm:



4. Install break-away screw and tighten with Allen wrench. DO NOT OVER TIGHTEN.



5. Push the button on top and use a screw driver to push through center hole on release to push lock bolt back and unlock the door.



use a screw driver or a tool that is thin enough to go through the hole in case of emergency.