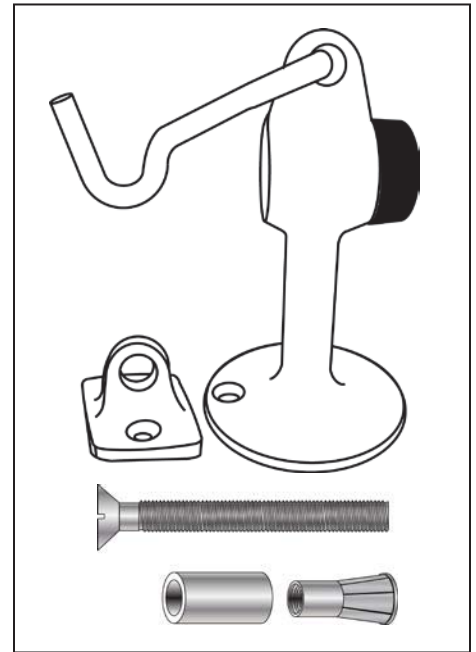


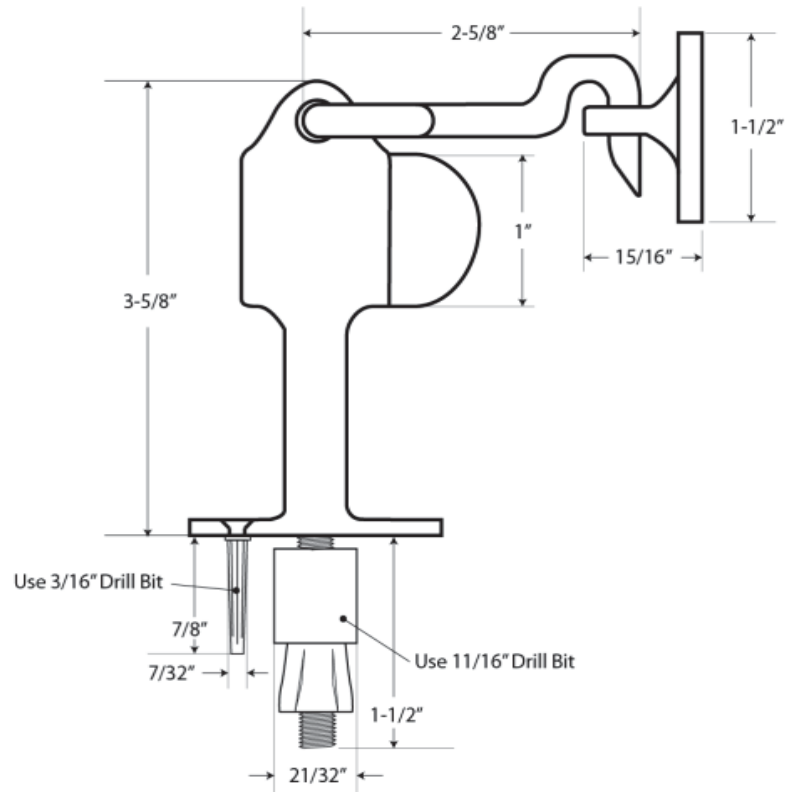
HDFDSH66

Floor Door Stop & Manual Holder

- ⊙ Heavy duty commercial grade floor door stop for high traffic conditions. Solid cast brass or bronze heavy duty construction
- ⊙ Unit functions as stop but serves as a Hold-Open device when hook is manually engaged in strike
- ⊙ Unit requires manual disengagement to release Hold-Open.
- ⊙ Includes mounting hardware for all wall construction applications
- ⊙ Perfect for indoor or outdoor use
- ⊙ Rubber tip does not scar nor mark surface of door
- ⊙ Conforms to ANSI/BHMA 156.16, BHMA:L11371, FED SPEC:1329E
- ⊙ Architectural finishes available



ITEM#	HDFDSH66
BASE DIAMETER	2"
HEIGHT FROM FLOOR TO STOP CENTER LINE	2-5/8"
STOP DIAMETER	1"
HOOK	2-5/8"
EYE	1" X 1-1/2"
OVERALL HEIGHT	3-5/8"



Cal-Royal Products, Inc.

6605 Flotilla St., City of Commerce, CA 90040 U.S.A.

Phone: (323) 888-6601 • (800) 876-9258 • Fax: (323) 888-6699 • (800) 222-3316

Email: sales@cal-royal.com • Website: www.cal-royal.com



The illustration and technical description in this Specification Sheet is current as of the date in the version box above. Cal-Royal Product reserves the right to, and may frequently make changes and/or improvements in designs and dimensions.