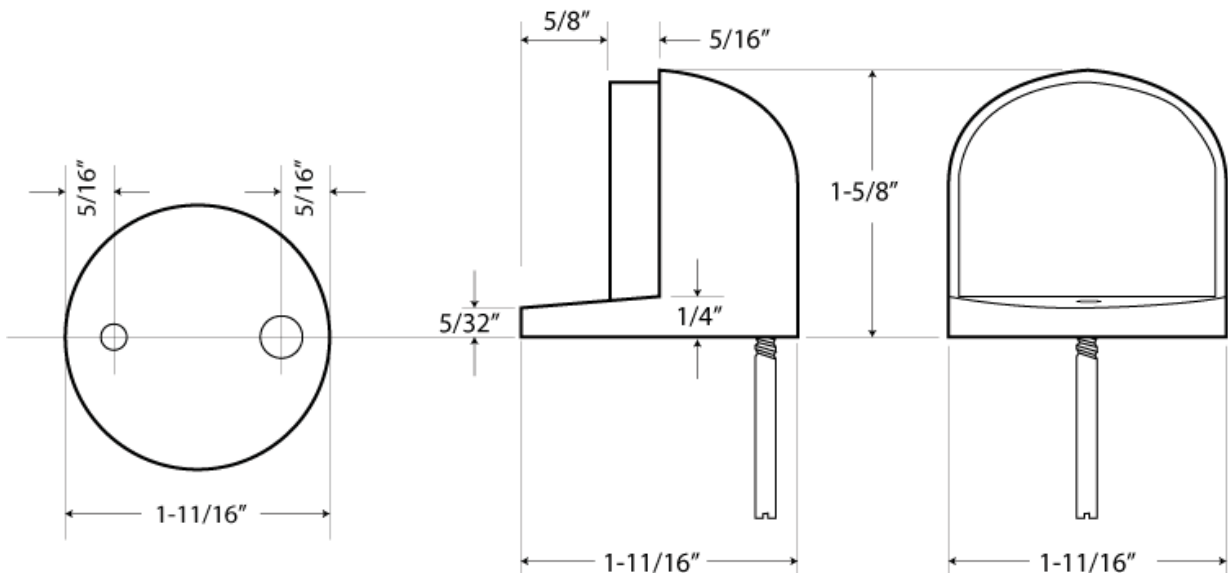


Universal Door Stops

- ◎ Heavy Duty cast brass riser designed for both low and high profiles
- ◎ Meets ANSI/BHMA 156.1, L12161 when used as DSLP4
- ◎ Base Diameter : 1-11/16
- ◎ Height : 1-5/8"
- ◎ Fastener : #14 x 1 1/2" wood screw w/ plastic shield and 1/4" - 20 x 3/4" machine screw with lead anchor



Cal-Royal Products, Inc.

6605 Flotilla St., City of Commerce, CA 90040 U.S.A.

Phone: (323) 888-6601 • (800) 876-9258 • Fax: (323) 888-6699 • (800) 222-3316

Email: sales@cal-royal.com • Website: www.cal-royal.com



The illustration and technical description in this Specification Sheet is current as of the date in the version box above. Cal-Royal Product reserves the right to, and may frequently make changes and/or improvements in designs and dimensions.