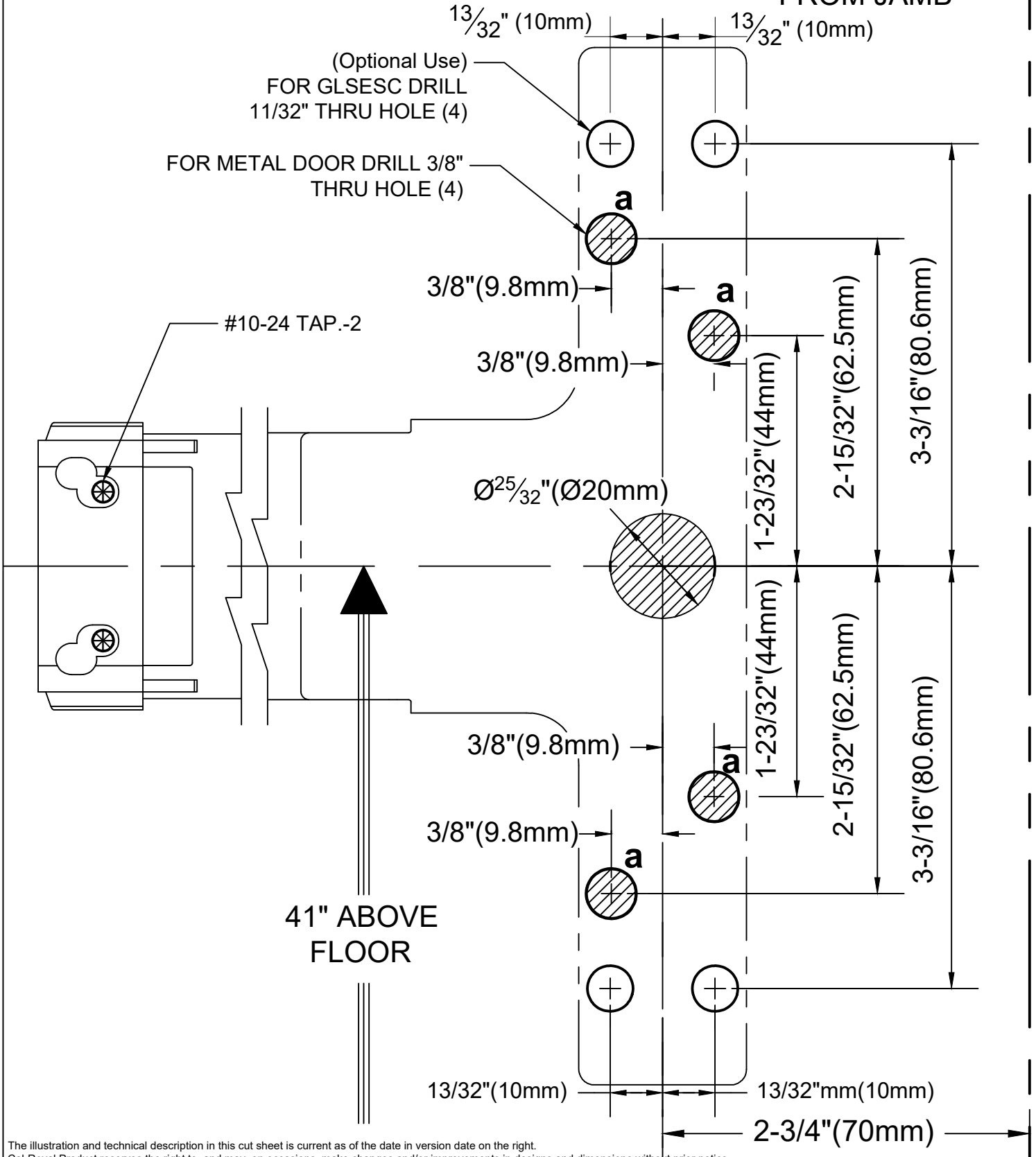



TEMPLATE FOR F77GLS-SVR SERIES NARROW HEAD SURFACE VERTICAL ROD EXIT DEVICE

RHR

FOLD HERE
FROM JAMB 

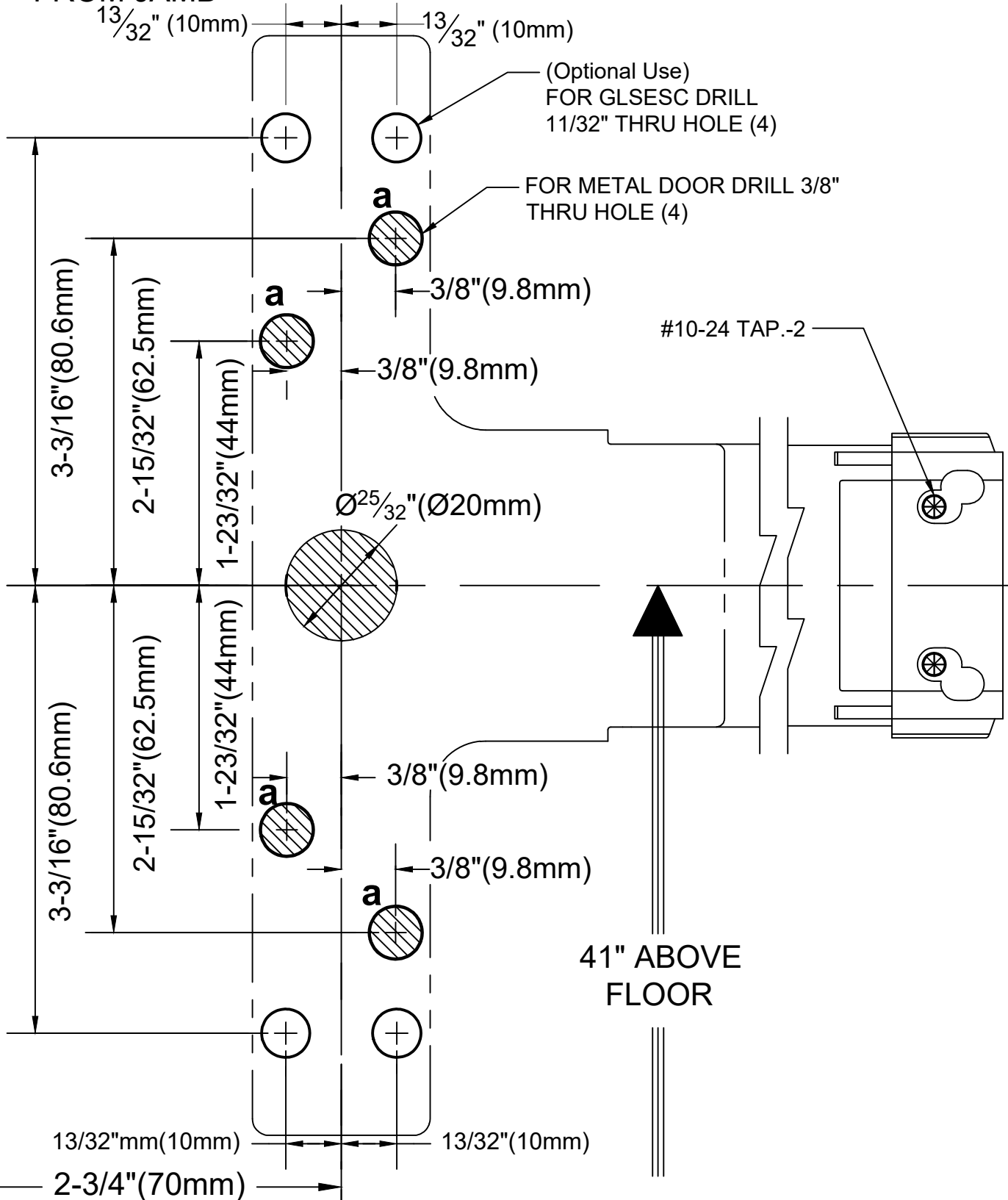


The illustration and technical description in this cut sheet is current as of the date in version date on the right.
Cal-Royal Product reserves the right to, and may, on occasions, make changes and/or improvements in designs and dimensions without prior notice.


	6605 Flotilla Street City of Commerce CA 90040 USA Tel.# (323) 888-6601 FAX # (323) 888-6699 WEB SITE: CAL-ROYAL.COM Email: sales@cal-royal.com		ITEM NO.	DESCRIPTION	NOT TO SCALE	UNIT	Prepared By:	DATE	DWG. NO.
	F77GLS-SVR	TEMPLATE FOR F77GLS-SVR HEAD CHASSIS RHR	PAGE 1 of 3	PRIMARY DIMENSION SHOWN IN INCHES, DIMENSIONS IN () ARE MM	BBT / ADG AED/ CVL	07/26/2023	EDT-4068-07/23-1of3		
								REV	

TEMPLATE FOR F77GLS-SVR SERIES NARROW HEAD SURFACE VERTICAL ROD EXIT DEVICE LHR

FOLD HERE
FROM JAMB

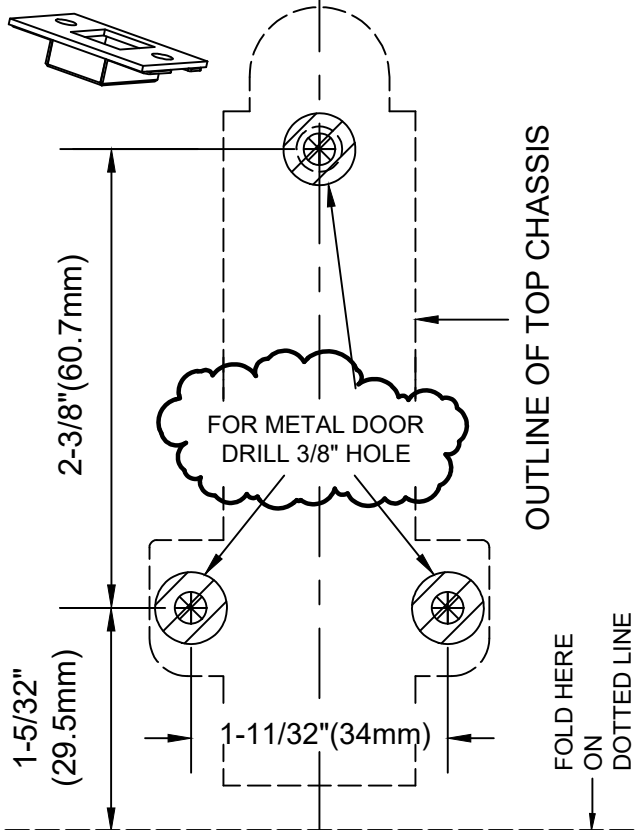


The illustration and technical description in this cut sheet is current as of the date in version date on the right.
Cal-Royal Product reserves the right to, and may, on occasions, make changes and/or improvements in designs and dimensions without prior notice.

	6605 Flotilla Street City of Commerce CA 90040 USA Tel.# (323) 888-6601 FAX # (323) 888-6699 WEB SITE: CAL-ROYAL.COM Email: sales@cal-royal.com		ITEM NO.	DESCRIPTION	NOT TO SCALE	UNIT	Prepared By:	DATE	DWG. NO.
	F77GLS-SVR	TEMPLATE FOR F77GLS-SVR HEAD CHASSIS LHR	PAGE 2 of 3	PRIMARY DIMENSION SHOWN IN INCHES, DIMENSIONS IN () ARE MM	BBT / ADG AED/ CVL	07/26/2023	EDT-4068-07/23-2of3		
								REV	

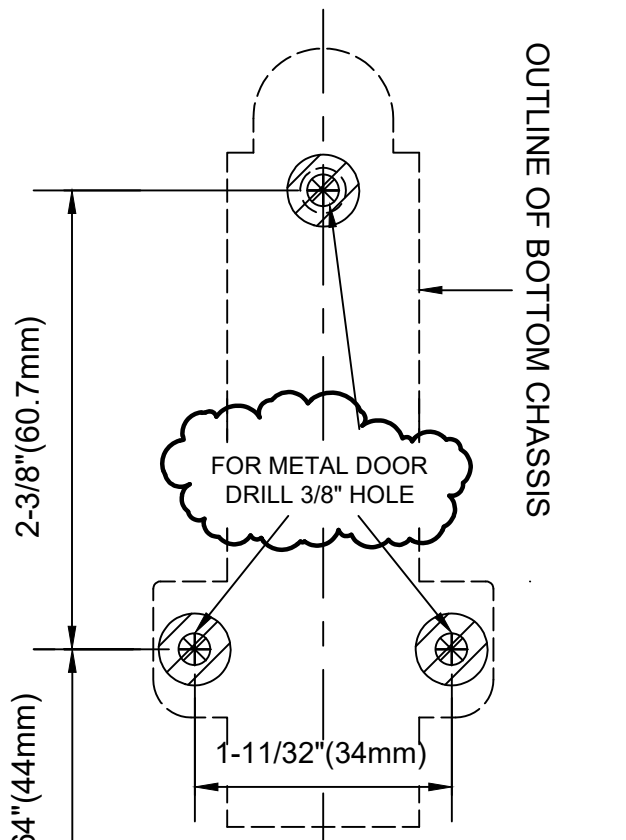
TEMPLATE OF BOTTOM LATCH

[Mortise In Strike (regular use)]



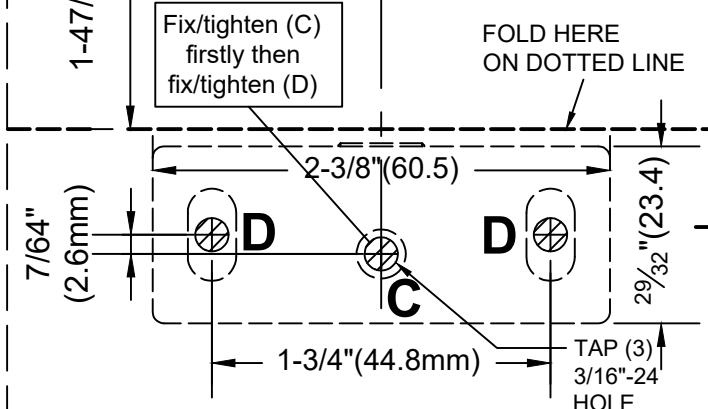
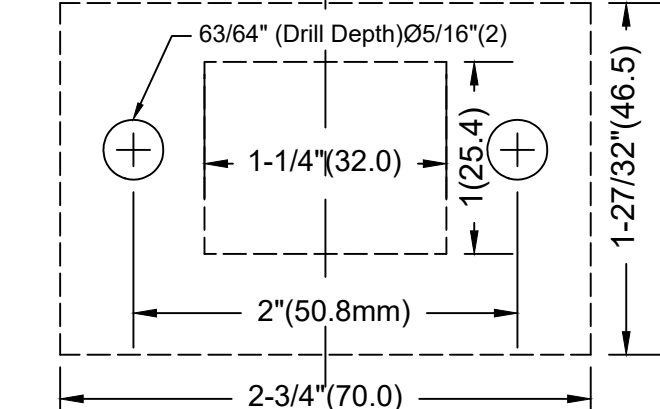
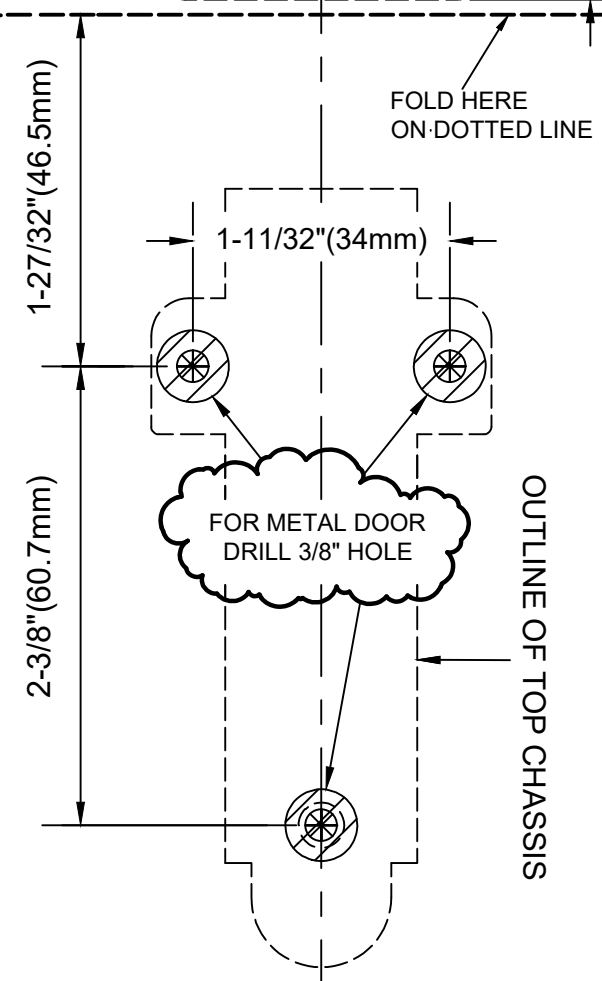
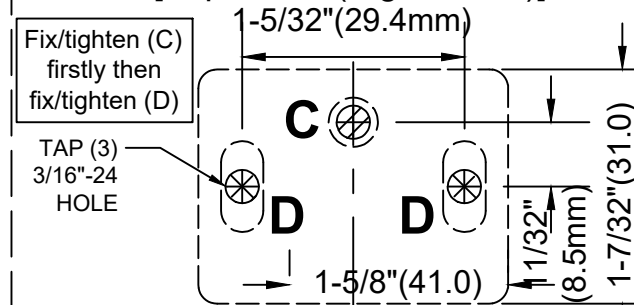
TEMPLATE OF BOTTOM LATCH

[Surface Strike (regular use)]



TEMPLATE OF TOP LATCH

[Top Strike (regular use)]



The illustration and technical description in this cut sheet is current as of the date in version date on the right. Cal-Royal Product reserves the right to, and may, on occasions, make changes and/or improvements in designs and dimensions without prior notice.



6605 Flotilla Street
City of Commerce
CA 90040 USA
Tel: # (323) 888-6601
FAX: # (323) 888-6699
WEB SITE:
CAL-ROYAL.COM
Email: sales@cal-royal.com

ITEM NO.	DESCRIPTION :	NOT TO SCALE	UNIT	Prepared By:	DATE	DWG. NO.
F77GLS-SVR	TEMPLATE FOR F77GLS-SVR TOP & BOTTOM LATCH	PAGE 1 OF 1	PRIMARY DIMENSION SHOWN IN INCHES, DIMENSIONS IN () ARE MM	BBT / ADG AED / CVL	07/27/2023	EDT-4068-07/23-3of3
						REV