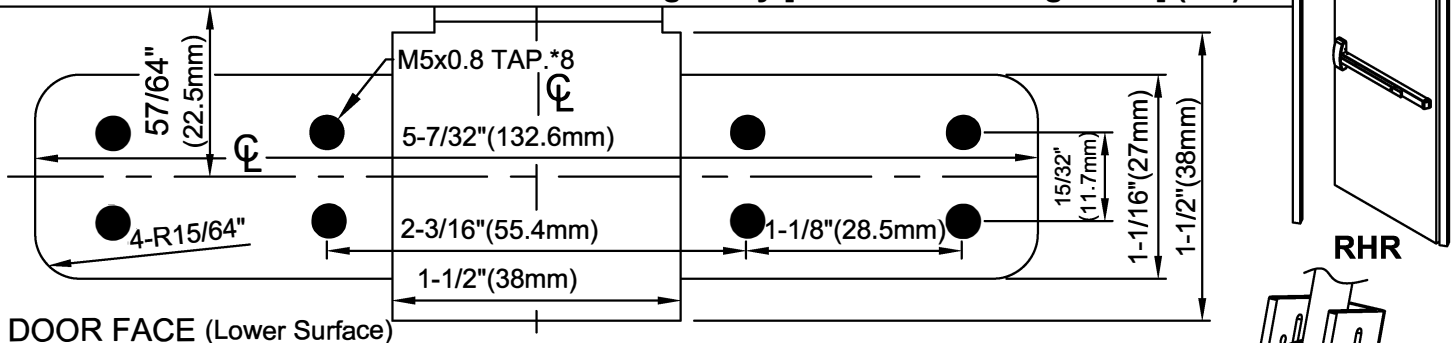
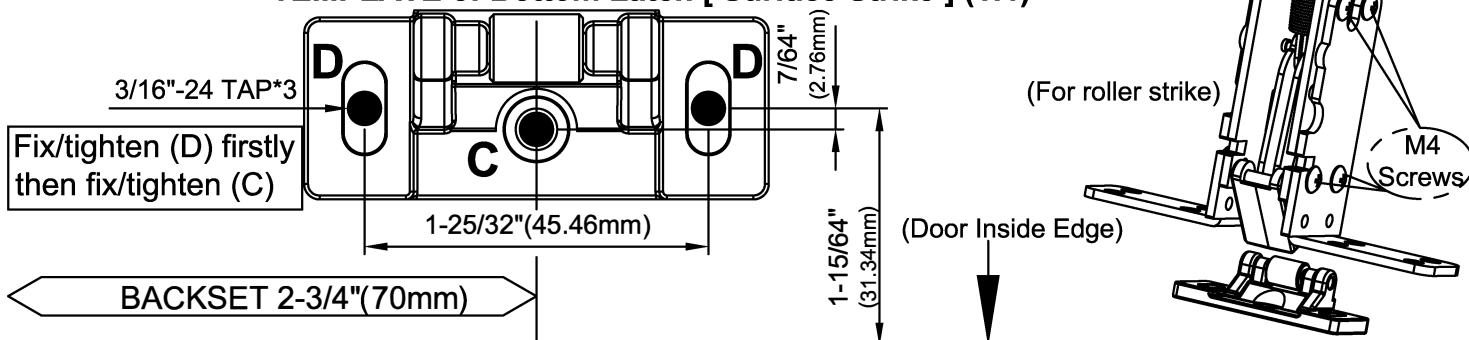


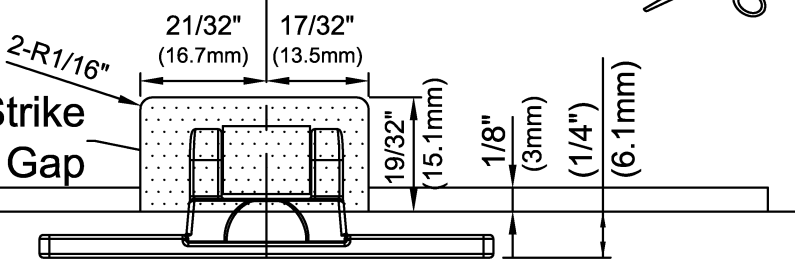
TEMPLATE of Bottom Latch Housing Ass'y [ Bottom Mounting Plate ] (1:1)



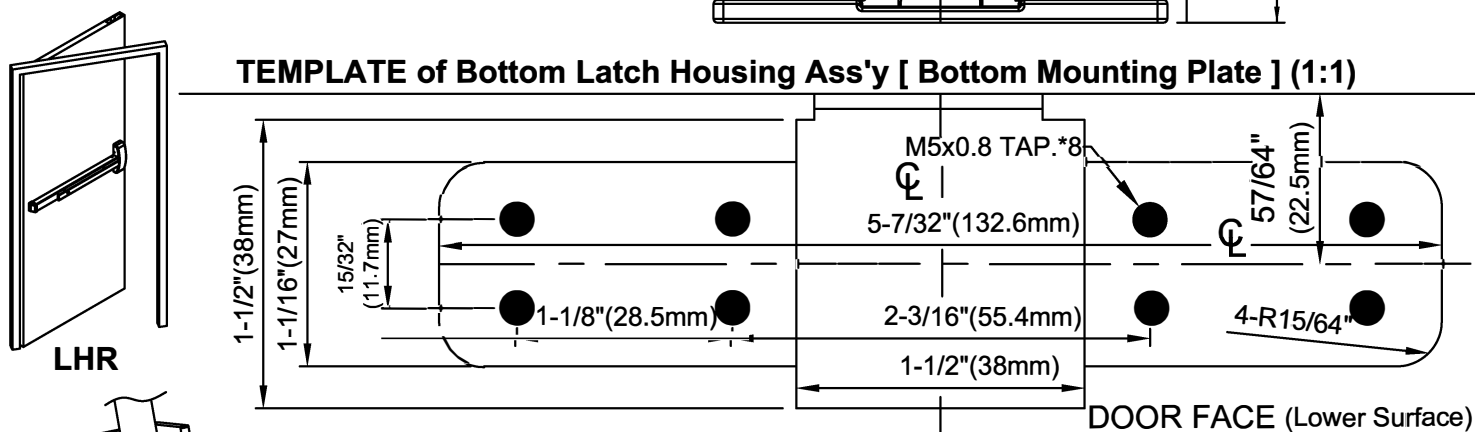
TEMPLATE of Bottom Latch [ Surface Strike ] (1:1)



For Bottom Surface Strike Through The Gap  
DOOR INSIDE FACE DOWN



TEMPLATE of Bottom Latch Housing Ass'y [ Bottom Mounting Plate ] (1:1)



TEMPLATE of Bottom Latch [ Surface Strike ] (1:1)

