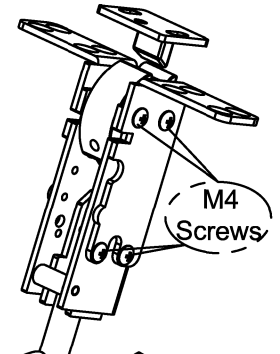
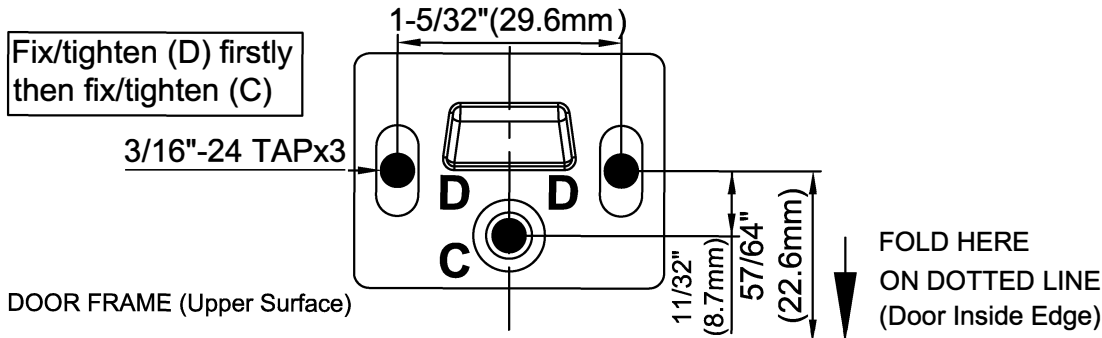
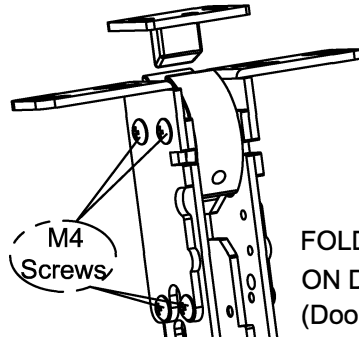
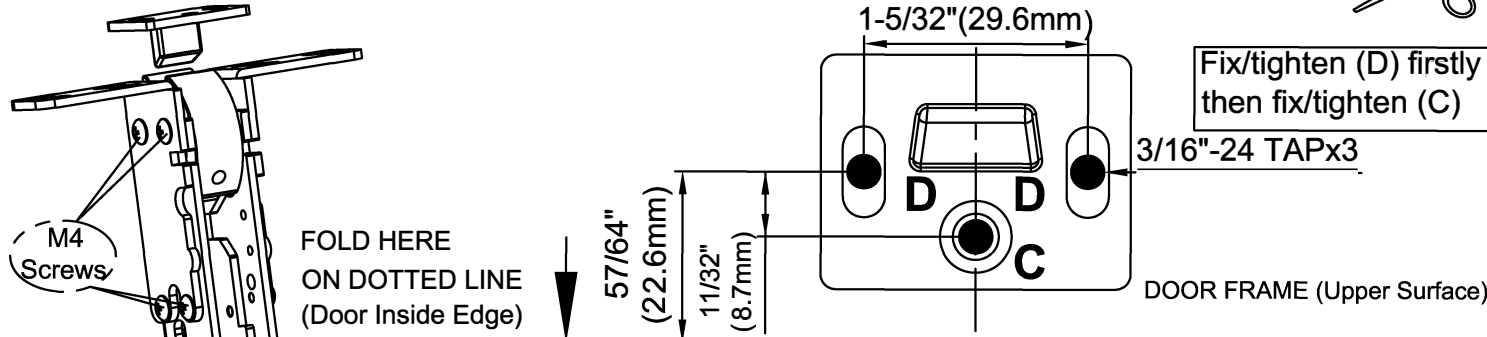
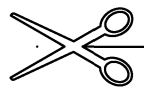
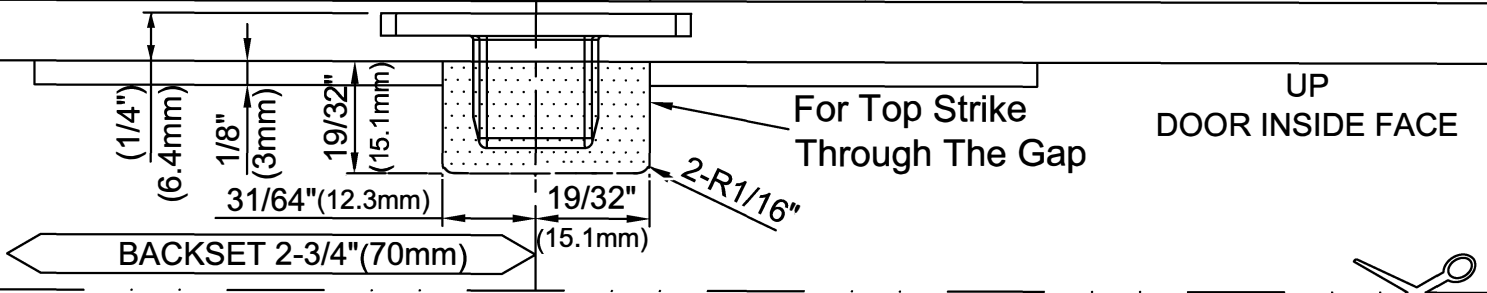
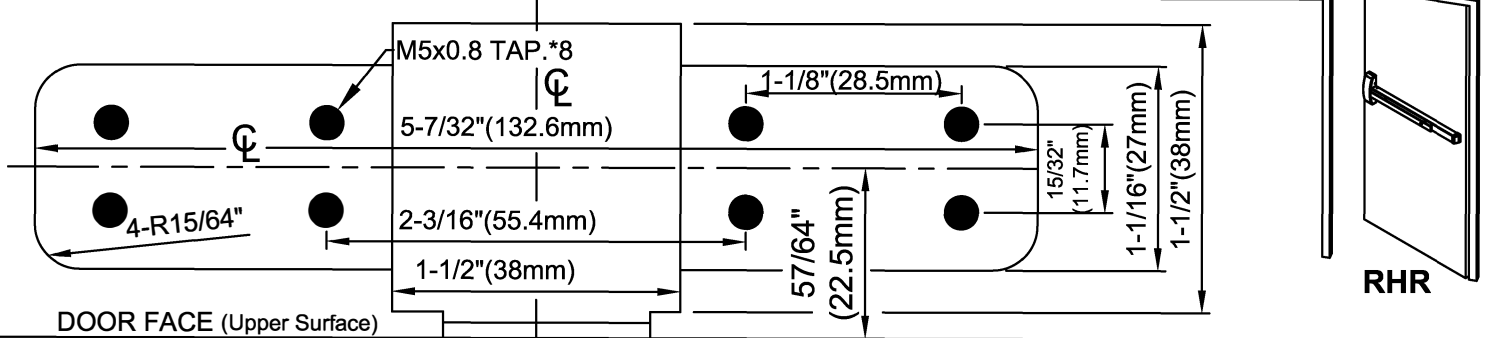


TEMPLATE of Top Latch [Top Strike (regular use)] (1:1)

Fix/tighten (D) firstly
then fix/tighten (C)



TEMPLATE of Top Latch Housing Ass'y [Top Mounting Plate (regular use)] (1:1)



TEMPLATE of Top Latch Housing Ass'y [Top Mounting Plate (regular use)] (1:1)

