

## TPMC3230 TRIPLE POLE MAGNETIC CATCH

### Features

- Triple pole
- Adjustable
- Self-aligning magnets for maximum pull
- Steel case
- Individually packed with sheet metal screws, 1(one) strike
- 6 pounds Load Capacity

### Dimension

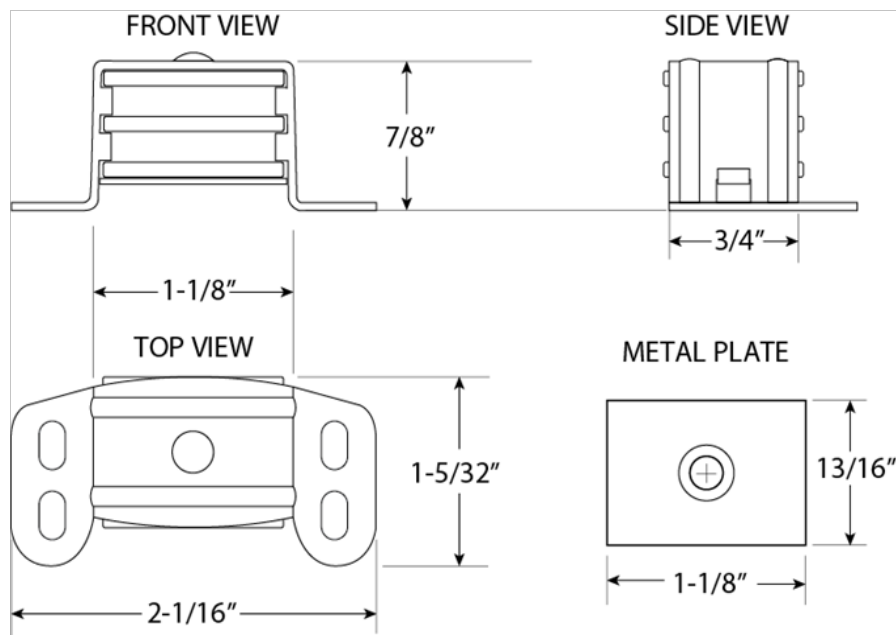
- 2-1/16" x 1-5/32" x 7/8"  
(Length x Depth x Thickness)

### Finish

- US2G - Zinc Plated

### Code Compliance

- Conforms to ANSI/BHMA A156.9



### CAL-ROYAL PRODUCTS, INC.

6605 Flotilla St., City of Commerce, CA 90040 U.S.A.  
 Phone: (323) 888-6601 • (800) 876-9258 • Fax: (323) 888-6699 • (800) 222-3316  
 Email: sales@cal-royal.com • Website: www.cal-royal.com

The illustration and technical description in this cut sheet is current as of the date in the version date on the right. Cal-Royal Product reserves the right to, and may, on occasions, make changes and/or improvements in designs and dimensions without prior notice.

2019 VERSION NO.  
01  
YEAR PRINTED

© Cal-Royal Products, Inc. 2019