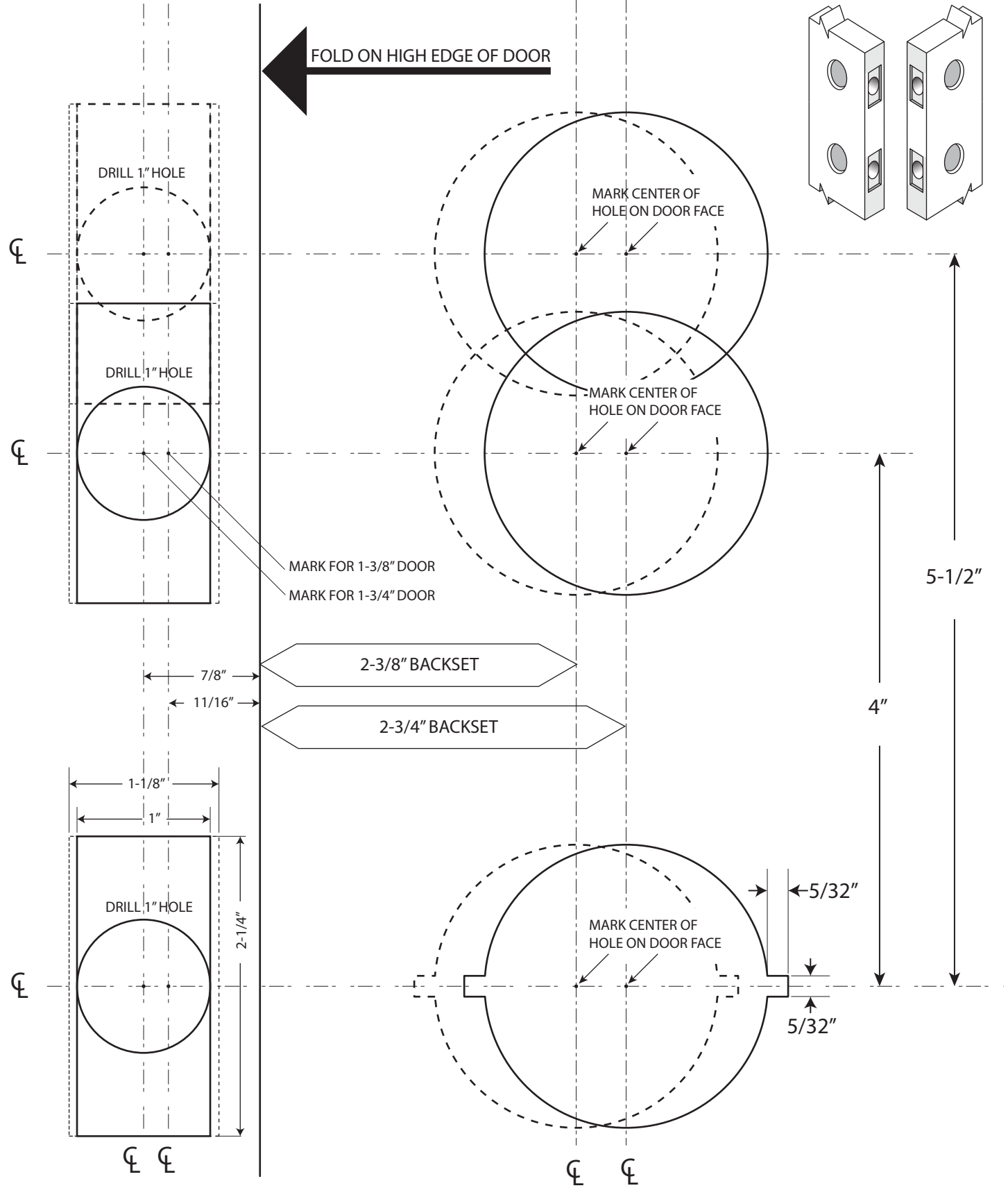


FOLD ON HIGH EDGE OF DOOR



USE PLASTIC FILLER FOR 1-1/8" FACE PLATE DOOR PREP

6605 Flotilla St.
 City of Commerce
 CA 90040 USA
 Tel: (323) 888-6601
 FAX: (323) 888-6699
 Website: cal-royal.com
 Email: sales@cal-royal.com

ITEM NO.:		DESCRIPTION:		SCALE:	
JHIL00		INTERCONNECTED LOCKS ENTRANCE, DOUBLE LOCKING		1:1	
ANSI:	UNIT:	VERSION:	BY:		
A156.12 Grade 2	inches	ver. 1.0 rev. 01/12	bteves		