

OPENING	DIM. A
To 120°	6-1/2" (165.1mm)
120°-180°	4" (101.6mm)

**NOTE:** Illustration shows LEFT HAND DOOR configuration. For RIGHT HAND DOOR, reverse template.



6605 Flotilla St.  
City of Commerce  
CA 90040 USA  
Tel: (323) 888-6601  
FAX: (323) 888-6699  
Website: cal-royal.com  
Email: sales@cal-royal.com

**DESCRIPTION:**

730 DOOR CLOSER  
REGULAR ARM INSTALLATION TEMPLATE- PULL SIDE

**SCALE:**

NOT TO SCALE

**ANSI:**

**UNIT:**

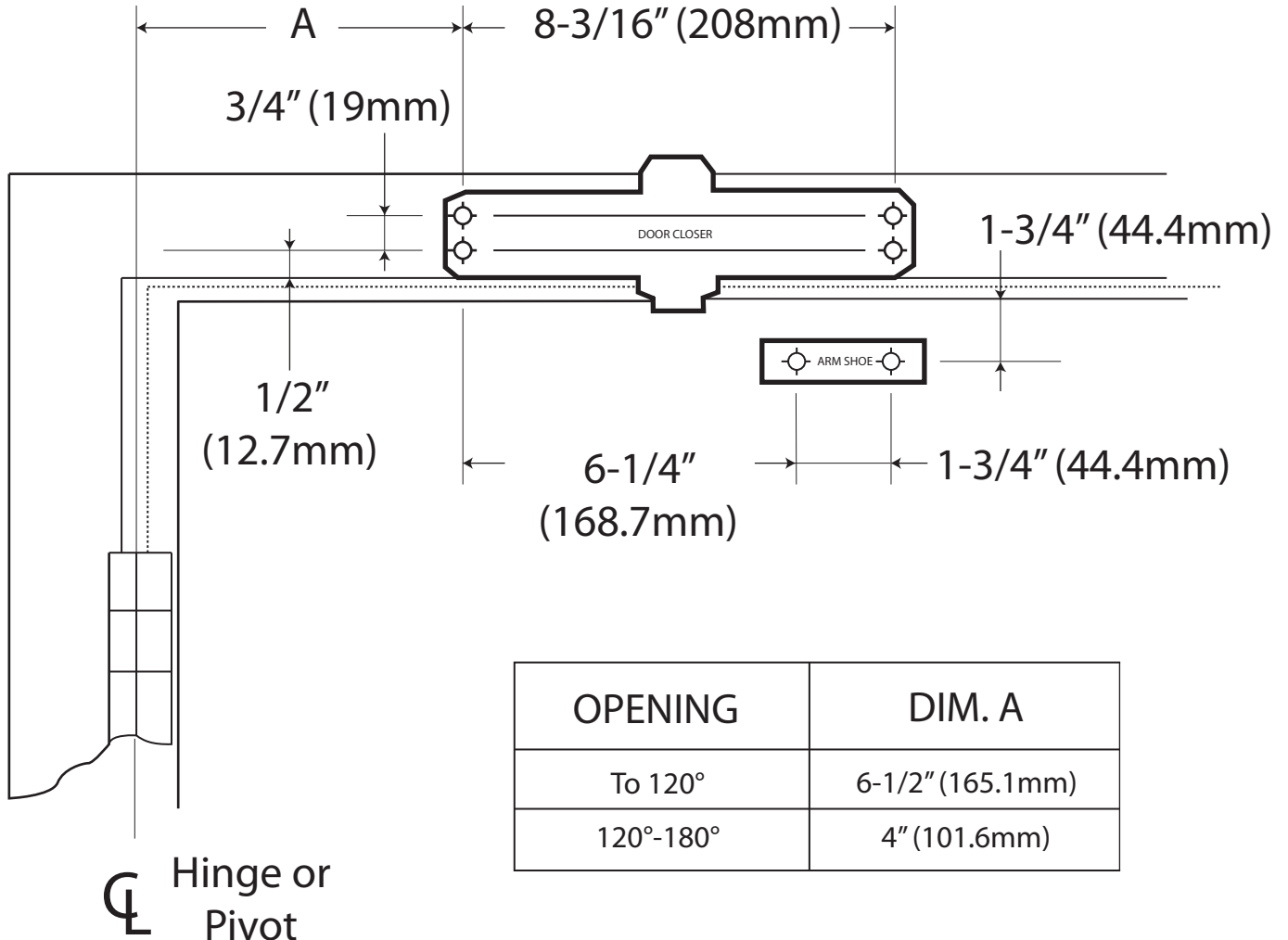
inches [mm]

**VERSION:**

ver. 1.0 rev. 04/12

**BY:**


bteves/adg

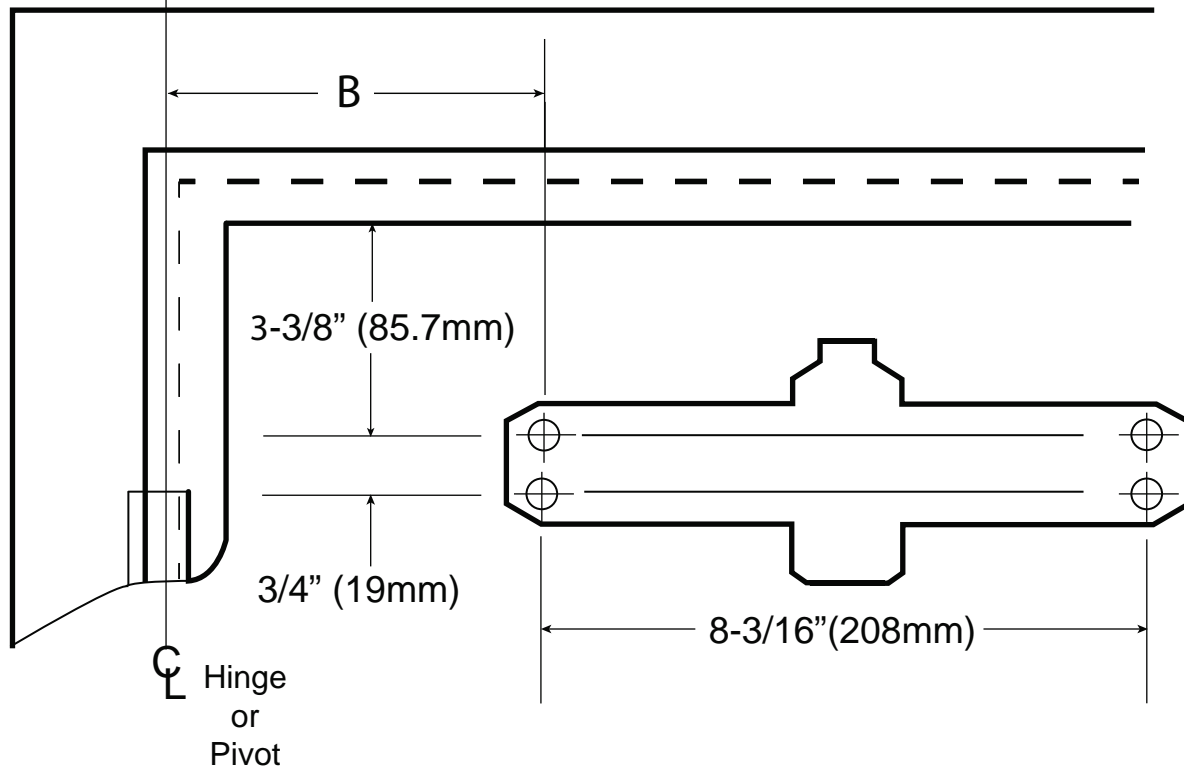
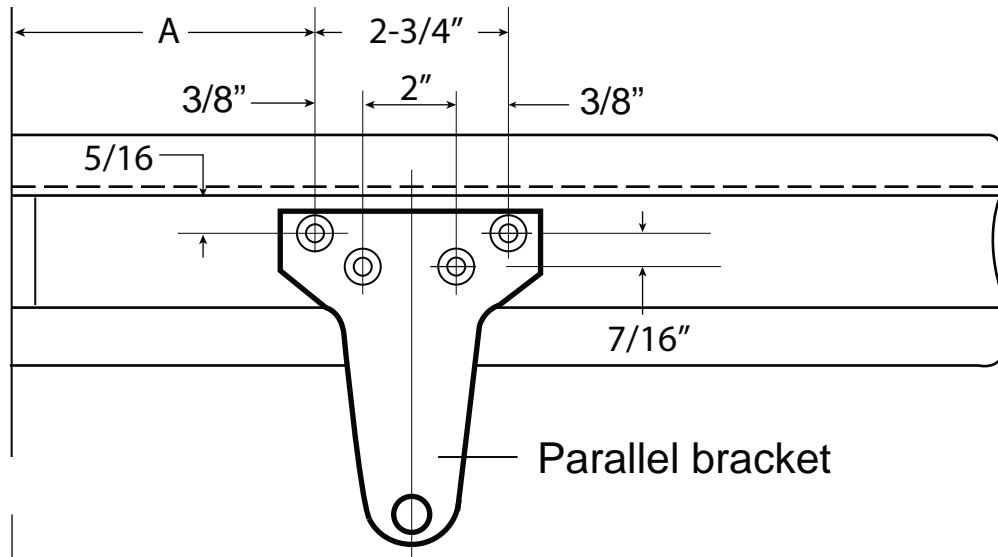


OPENING	DIM. A
To 120°	6-1/2" (165.1mm)
120°-180°	4" (101.6mm)


 Hinge or  
Pivot

**NOTE:** Illustration shows LEFT HAND DOOR configuration. For RIGHT HAND DOOR, reverse template.

	6605 Flotilla St. City of Commerce CA 90040 USA Tel: (323) 888-6601 FAX: (323) 888-6699 Website: cal-royal.com Email: sales@cal-royal.com			<b>DESCRIPTION:</b> 730 DOOR CLOSER TOP JAMB INSTALLATION TEMPLATE- PUSH SIDE	<b>SCALE:</b> NOT TO SCALE
	<b>ANSI:</b>	<b>UNIT:</b> inches [mm]	<b>VERSION:</b> ver. 1.0 rev. 04/12	<b>BY:</b> bteves/adg	



OPENING	DIM. A	DIM. B
To 120°	8-5/8" (219mm)	7-13/16" (198.4mm)
120°-180°	6-9/16" (166.7mm)	5-5/8" (142.9mm)

**NOTE:** Illustration shows LEFT HAND DOOR configuration. For RIGHT HAND DOOR, reverse template.



6605 Flotilla St.  
City of Commerce  
CA 90040 USA  
Tel: (323) 888-6601  
FAX: (323) 888-6699  
Website: cal-royal.com  
Email: sales@cal-royal.com

DESCRIPTION:

730 DOOR CLOSER  
PARALLEL ARM INSTALLATION TEMPLATE- PUSH SIDE

SCALE:

NOT TO SCALE

ANSI:

UNIT:

VERSION:

BY:

-----

inches [mm]

ver. 1.0 rev. 05/12

bteves/adg