

**NOTE:
IMPORTANT!**

ALIGNMENT STUDS **MUST** ENTER INTO (2) 5/16" FIELD DRILLED HOLES ON OUTSIDE OF DOOR (EXISTING SLOTS CAN BE ELONGATED WITH A FILE)

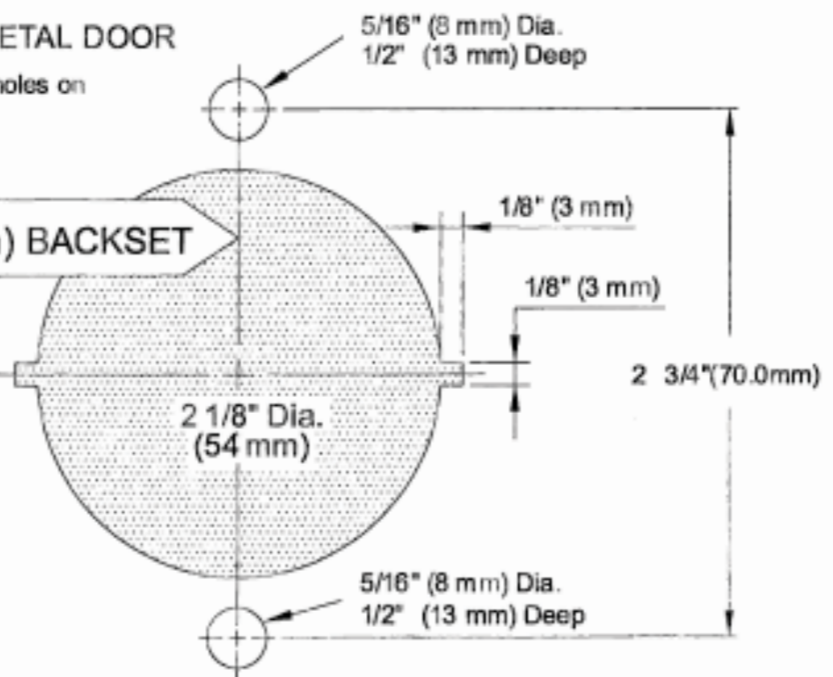
MANUFACTURER'S WARRANTY INVALID IF SECURITY STUDS ARE REMOVED

FOLD AND ALIGN TEMPLATE ON EDGE OF DOOR

TEMPLATE
FOR WOOD OR METAL DOOR

Drill two 5/16" (8 mm) holes on vertical center line from outside of door.

2 3/4" (70 mm) BACKSET



PLACE TEMPLATE ON HIGH EDGE OF BEVEL



6605 Flotilla St.
City of Commerce
CA 90040 USA
Tel: (323) 888-6601
FAX: (323) 888-6699
Website: cal-royal.com
Email: sales@cal-royal.com

ITEM NO.:		DESCRIPTION:		SCALE:	
8000L & 8000S		Installation Instructions for Trim of Panic Exit Device (DOORS WITH CYLINDRICAL LOCK CUT-OUT)		NOT TO SCALE	
ANSI:	UNIT:	VERSION:	BY:		
---	inches (mm)	ver. 1.0 rev. 01/12	bteves/adg		