

DIMENSIONS SHOWN ON THIS TEMPLATE ARE FOR TOP FLUSH BOLTS. FOR BOTTOM BOLTS INVERT AND MEASURE FROM BOTTOM EDGE OF DOOR

ACTIVE DOOR STRIKE  
2 EACH #8 x 3/4"

FRAME & SILL STRIKE  
2 EACH #8 x 3/4"

TOP & BOTTOM BOLT HD. GUIDE  
3 EACH #10 x 7/8"

BOLT HOUSING  
2 EACH #8 x 3/4"  
2 EACH #8-32 x 1/4"

SCREW DETAILS:	
Bolt Housing	:2 - #8 x 3/4" flat head sheet metal/machine screws
	2 - #8-32 x 3/8" flat head sheet metal screws
Frame & Sill Strike	:2 - #8 x 3/4" flat head sheet metal/machine screws
Reversible Bolt Guide	:2 - #8 x 3/4" flat head sheet metal/machine screws
Active Door Strike	:2 - #8 x 3/4" flat head sheet metal/machine screws



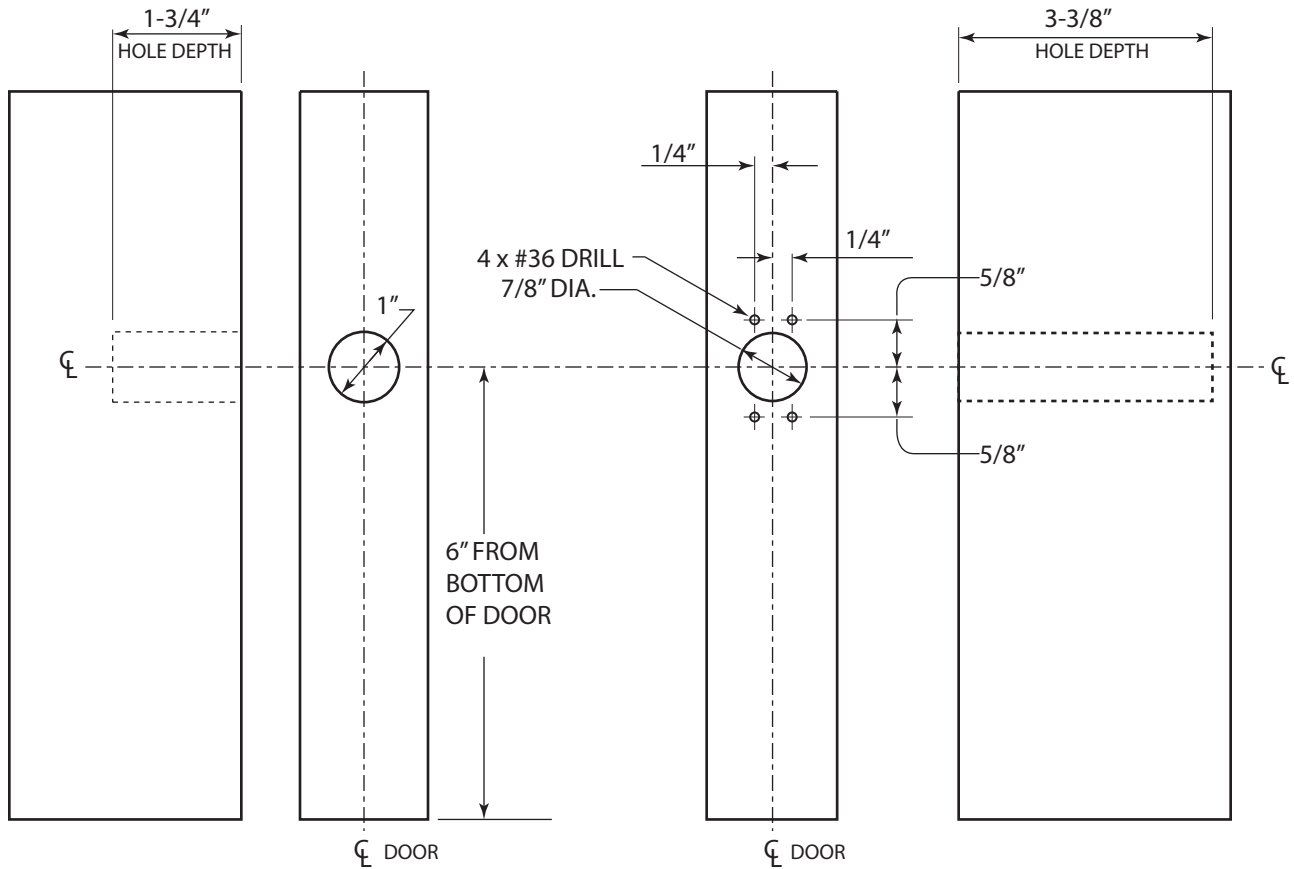
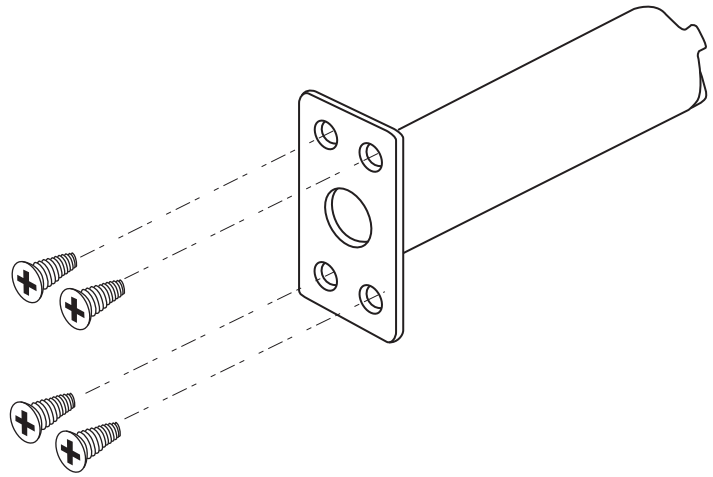
6605 Flotilla St.  
City of Commerce  
CA 90040 USA  
Tel: (323) 888-6601  
FAX: (323) 888-6699  
Website: cal-royal.com  
Email: sales@cal-royal.com

ITEM NO.:	DESCRIPTION:	SCALE:	PAGE:
AUXAUTOFLW-22	AUTOMATIC FLUSH BOLT FOR WOOD DOOR APPLICATION	1:1 5/8	1 of 2
ANSI:	UNIT:	VERSION:	BY:
---	inches (mm)	ver. 1.0 rev. 01/12	bteves/jsa

DESCRIPTION	QTY.
AUXILLIARY FIRE LATCH ASSEMBLY	1
#6 X 3/6" TYPE AB FLAT HEAD SCREW	4
STRIKE HOLE PLUG	1



STRIKE HOLE PLUG



**STRIKE HOLE PLUG  
DOOR LEAF**

**AUXILLIARY FIRE LATCH ASSEMBLY  
DOOR LEAF**

ITEM NO:	DESCRIPTION:	SCALE:	SCALE:
AUXAUTOFW-22	AUXILLIARY FIRE LATCH ASSEMBLY	NOT TO SCALE	PAGE 2 of 2
ANSI:	UNIT:	VERSION:	BY:
	inches [mm]	ver. 1.0 rev. 04/12	bteves/adg