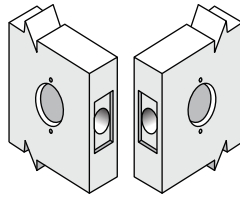


**Standard Packaging:**

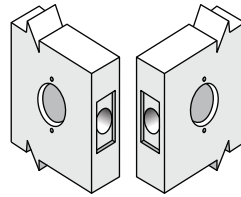
Latchbolt: 2-3/4"

Face plate: 1" x 2-1/4"

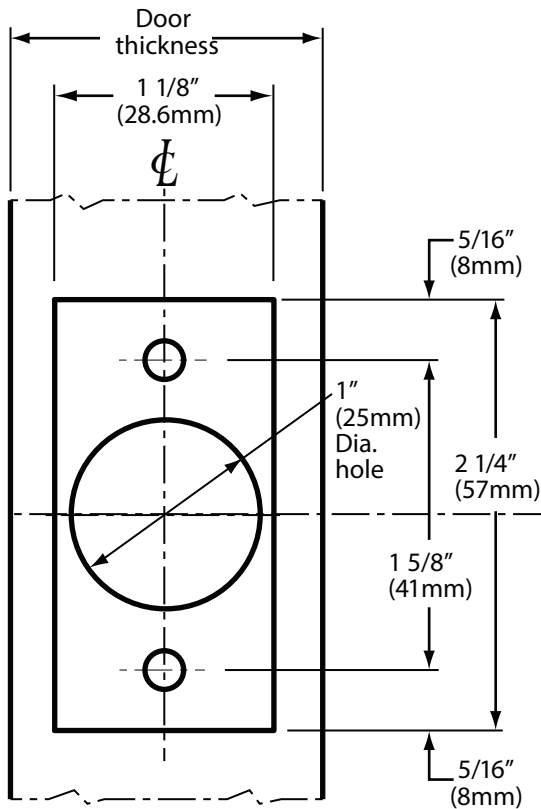
LEFT HANDED DOORS  
OUTSIDE INSIDE



RIGHT HANDED DOORS  
INSIDE OUTSIDE

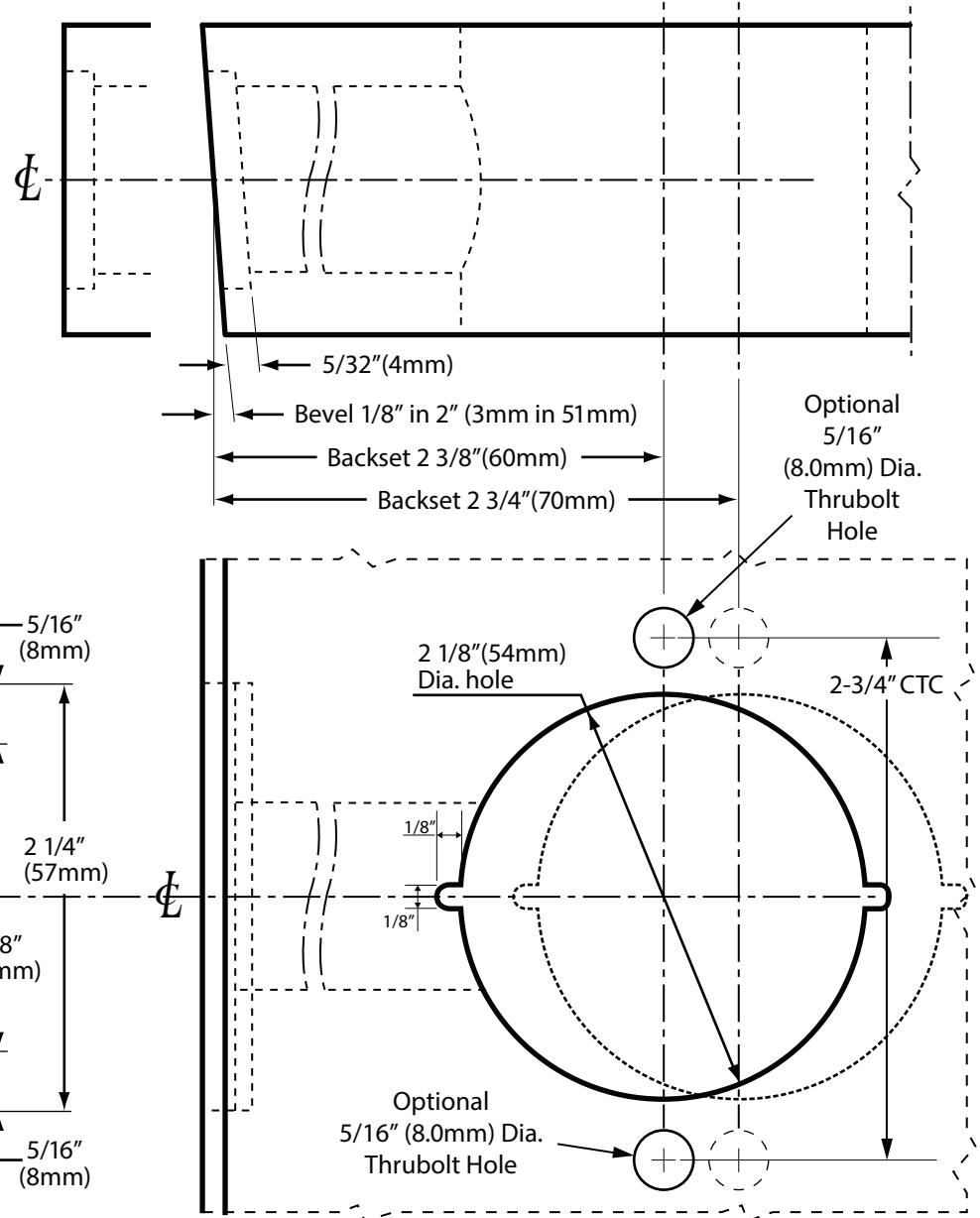
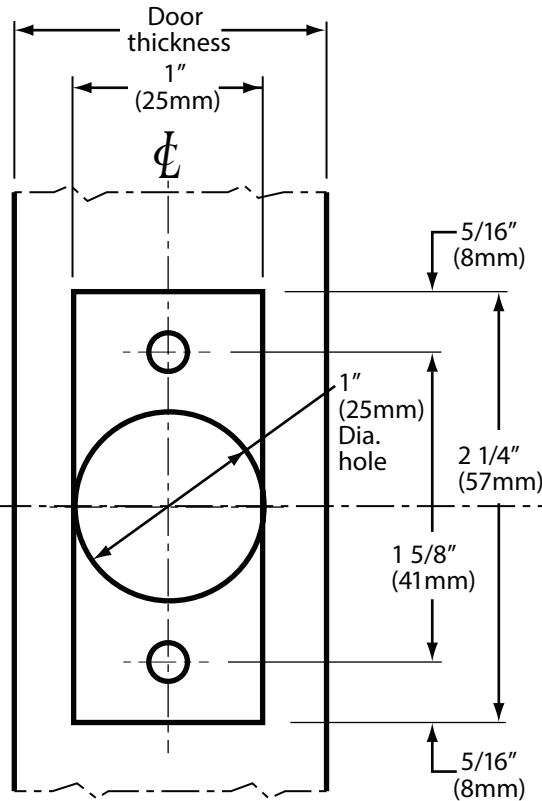


**Standard 2-3/4" Latch**



**Optional 2-3/8" Latch**

1-1/8" PREP IF USED WITH PLASTIC FILLER



NOTE: Applicable for all functions except dummy

6605 Flotilla St.  
City of Commerce  
CA 90040 USA  
Tel: (323) 888-6601  
FAX: (323) 888-6699  
Website: cal-royal.com  
Email: sales@cal-royal.com

| ITEM NO.          | DESCRIPTION                               | ANSI              | SCALE                       | UNIT           | VERSION                   |
|-------------------|---|-------------------|-----------------------------|----------------|---------------------------|
| <b>XP00, XP30</b> | EXPLORER SERIES<br>WITH OPTIONAL THRUBOLT | A156.2<br>Grade 2 | 1 : 1<br>IF PRINTED TO SIZE | inches<br>(mm) | ver. 1.0 rev. 08/18       |
|                   |   |                   | PAGE 1 OF 1                 |                | <b>BY: bteves/sac/adg</b> |