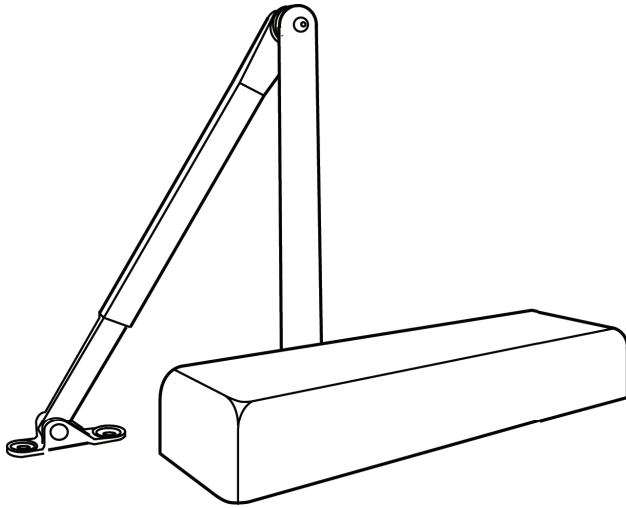
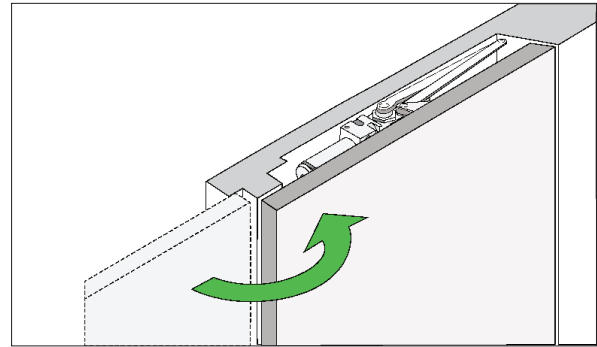
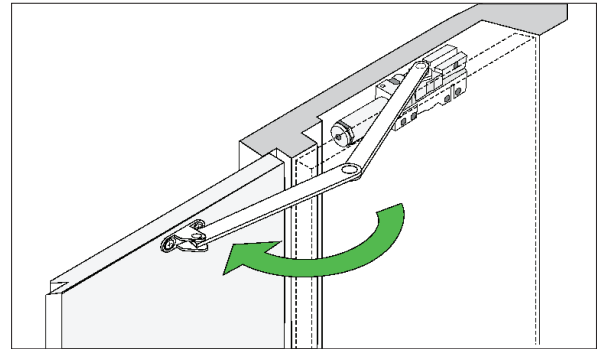


CR271PC Series

ANSI A156.4, GRADE 1, CR441 EXTRA POWERFUL HYDRAULIC DOOR CLOSER SERIES, NON-HANDED, POCKET DOOR CLOSER APPLICATION



For **180 DEGREES** opening in a **Pocket Door ONLY Application**
 NOT FOR USE with conventional hinges or latching hardware



ITEM #	DESCRIPTION	1 CASE	5 CASES	10 CASES	PCS / MC	UNIT
CR271PC	CR441 Series, Heavy Duty Pocket Door Closer Application , with higher tensioned steel spring combined with high performance hydraulic fluid. (Full Cover)	FINISHES			4	Each
		ALUM				

► PACKAGING INCLUDES

- **Heavy Duty Double Lever Forged Steel Arm** (1" longer than CR441 arm)
- Parallel bracket
- Wood screws and **self-tapping machine screws**
- Full cover
- Sex bolts