

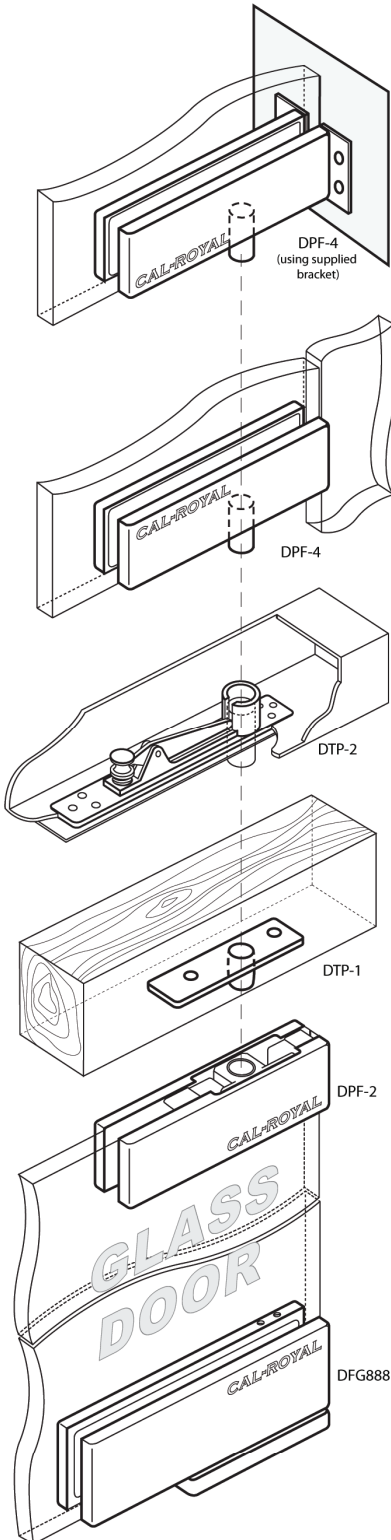
DFG888

CONCEALED GLASS FLOOR DOOR CLOSER

5-YEAR WARRANTY

- ▶ Maximum opening angle: 150° for both left and right opening (double action)
- ▶ Hold-Open Feature @ 90°. Optional Non Hold-Open. Stock item with Hold-Open Feature
- ▶ Two Speed Adjustments. Closing Speed (150°~10°). Latching Speed (10°~ 0°)
- ▶ Easy installation with base seat adjustable for ± 0.12" (±3mm) backward and forward, ± 0.12" (±3mm) left and right, and 4° alignment allowance for adjustment

Must order Floor Closer (DFG888), Top Patch (DPF-2) and either one of the pivots. Specify type of pivot upon ordering.



FLOOR CLOSER & TOP PATCH

ITEM #	DESCRIPTION	FINISH	UNIT
DFG888	Concealed Floor Closer Capacity: Max 220 lbs (100 kgs) Door Width: 29.5" - 39.4" (750-1000mm) Door Thickness: 0.3" - 0.5" (8-13mm)	Satin Stainless Steel (US32D)	Each
		Dark Bronze (DURO)	
DFG888-NHO	Concealed Floor Closer Non-Hold Open Capacity: Max 220 lbs (100 kgs) Door Width: 29.5" - 39.4" (750-1000mm) Door Thickness: 0.3" - 0.5" (8-13mm)	Satin Stainless Steel (US32D)	
		Dark Bronze (DURO)	
DPF-2	Top Patch (door). Door Thickness: 0.3" - 0.5" (8-13mm)	Satin Stainless Steel (US32D)	
		Dark Bronze (DURO)	

DFG888, DFG888-NHO and DPF-2 are sold separately.

▶ PARTS & ACCESSORIES (OPTIONAL PIVOTS)

ITEM #	DESCRIPTION	FINISH	UNIT
DTP-1	Optional Top Pivot. Used on Solid Door Frames	Satin Stainless Steel (US32D)	Each
		Dark Bronze (DURO)	
DTP-2	Optional Adjustable Top Pivot. Used on Hollow Door Frames	Satin Stainless Steel (US32D)	
		Dark Bronze (DURO)	
DPF-4	Over-panel Patch Used on glass walls or glass overhead panels. Bracket supplied if used on overhead glass panels with a perpendicular concrete or solid wall.	Satin Stainless Steel (US32D)	
		Dark Bronze (DURO)	

Pivots are sold separately. Specify type of pivot upon ordering.

DFG888 FEATURES

Angle of opening	150°
Hold-Open	90°
Closing Speed	Adjustable
Latching Speed	Adjustable
Handing	Non-Handed
Dimensions	Length: 7.32" (186mm) Width: 2.68" (68mm) Thickness: 1.42" (36mm)

